

## WEIGHTS, DIMENSIONS, ACCESSORIES

### Weights

Drive unit	17,4 kg
Handle unit	4,9 kg
Battery pack	2,7 kg
scalaport X7	11 kg
Total weight	36 kg

### Dimensions

Height (handles folded in)	115 cm
Width handles (adjustable)	43 bis 52 cm
Width scalaport (adjustable)	55 bis 73 cm
Depth	55 cm

### Stairs

Max. step height	20 cm
Min. step depth	11 cm

### Max. weight of person

120 kg

### Accessories

Charger	included
Head support	included
Additional battery pack	optional
Lap belt	optional

With compliments:

**Ulrich Alber GmbH**  
Vor dem Weißen Stein 21  
72461 Albstadt  
Germany  
Phone +49 (0)7432 2006-0  
Fax +49 (0)7432 2006-298  
info@alber.de

[www.alber.de](http://www.alber.de)

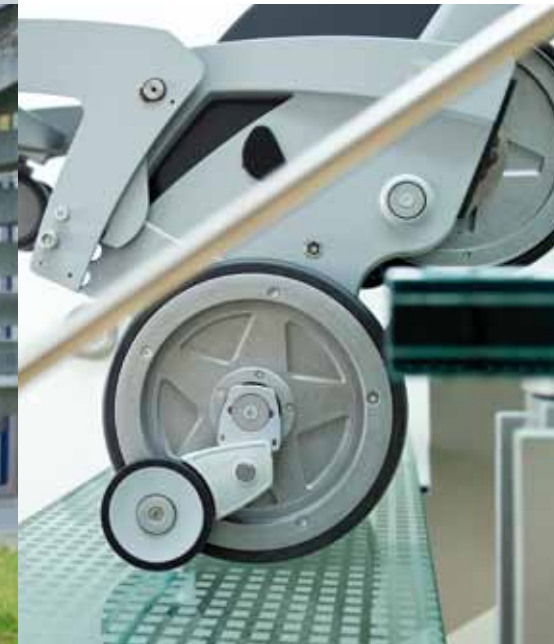
35.0016-6.02-01 © Ulrich Alber GmbH, Albstadt

**alber**

Simply mobile.

## scalamobil® with scalaport® X7

Mobile stair climber



**Using stairs the easy  
way.**

## QUICKLY READY FOR A WIDE VARIETY OF APPLICATIONS

The scalamobil in combination with the scalaport X7 universal adapter is a portable stair climbing system that helps you transport all popular manual wheelchairs on stairs of all kinds.

The system is especially suitable for professional transport of wheelchairs and patients and for access to public buildings. The scalaport X7 offers an alternative means for transporting wheelchairs for which Alber offers no special mounting system.

- Compatible with all popular manual wheelchairs such as comfort wheelchairs, active wheelchairs, narrow paediatric wheelchairs, etc.\*
- Any manual wheelchair is ready for transportation in a matter of seconds thanks to the universal clamping mechanism fixing the backrest.
- Thoroughly proven and patented climbing mechanism.
- Easy and safe to operate by just one person with minimal effort.
- Tackles narrow and spiral staircases of all kinds.
- Avoids damage and wear to stair coverings.
- Range of up to 300 steps with a single battery charge (interchangeable battery optional).

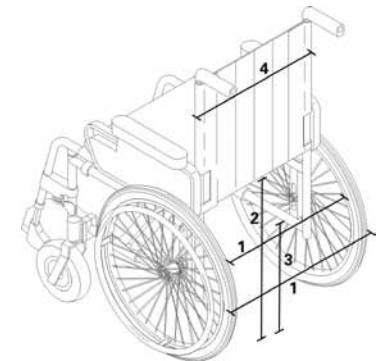
\* Limitations may exist when using anti-tippers. Please refer to dimensions on page 3.



## OVERVIEW OF WHEELCHAIR DIMENSIONS

alber

Dimensions	Minimum	Maximum
1 Width of wheelchair wheel track	39 cm Measured inside	73 cm Measured outside
2 Seat height wheelchair rear	35 cm from floor	-
3 Height of wheelchair frame	14 cm from floor	-
4 Width of seat back	35 cm* *with adapter 25 cm	55 cm* *with adapter 40 cm



Certified to DIN EN ISO 9001  
Quality assurance system  
for medical products to DIN EN 46001



Small picture top left:  
Simply pull the wheelchair by the wheels onto the scalamobil

Small picture bottom left:  
Simple clamping to seat back of wheelchair

Picture right:  
Stows compactly in any vehicle thanks to the handy folding mechanism

