

alber

SERVICES

Spare parts



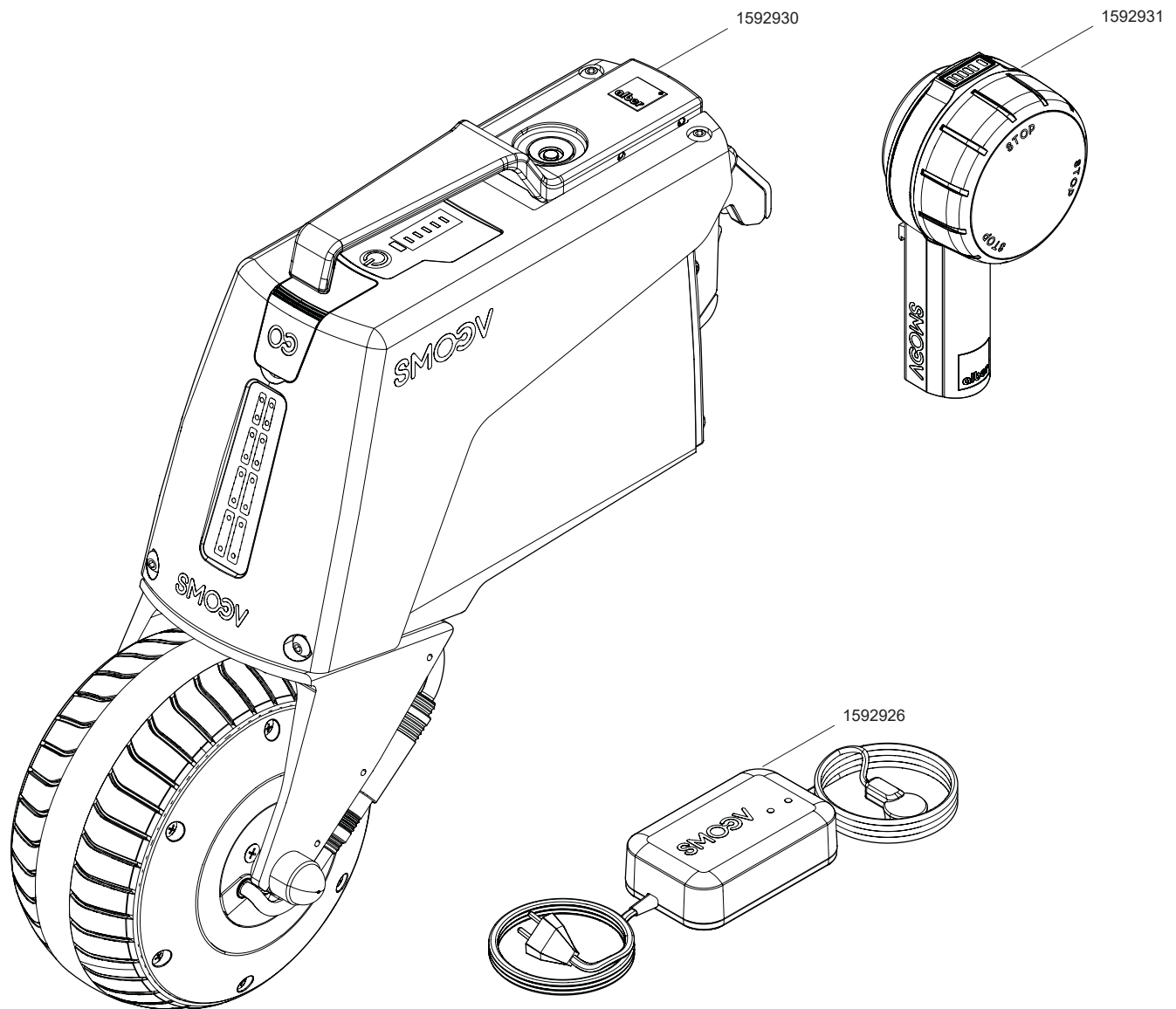
smoov O10



Components	4
Drive unit	5
Control unit	6
Breackets set axle	7
Bracket set control unit	8
Adapter axle	9

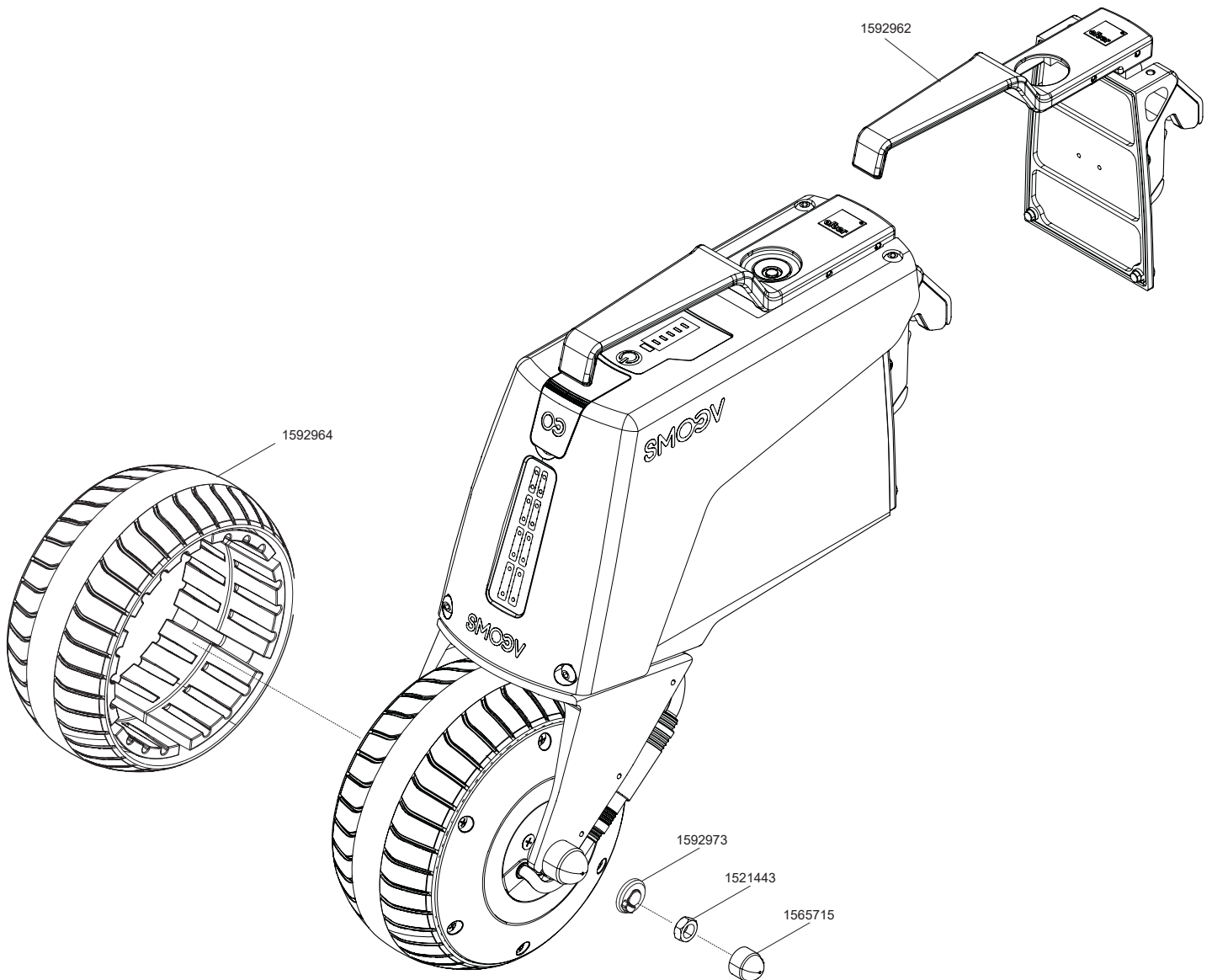
# Spare parts smoov O10

## Components



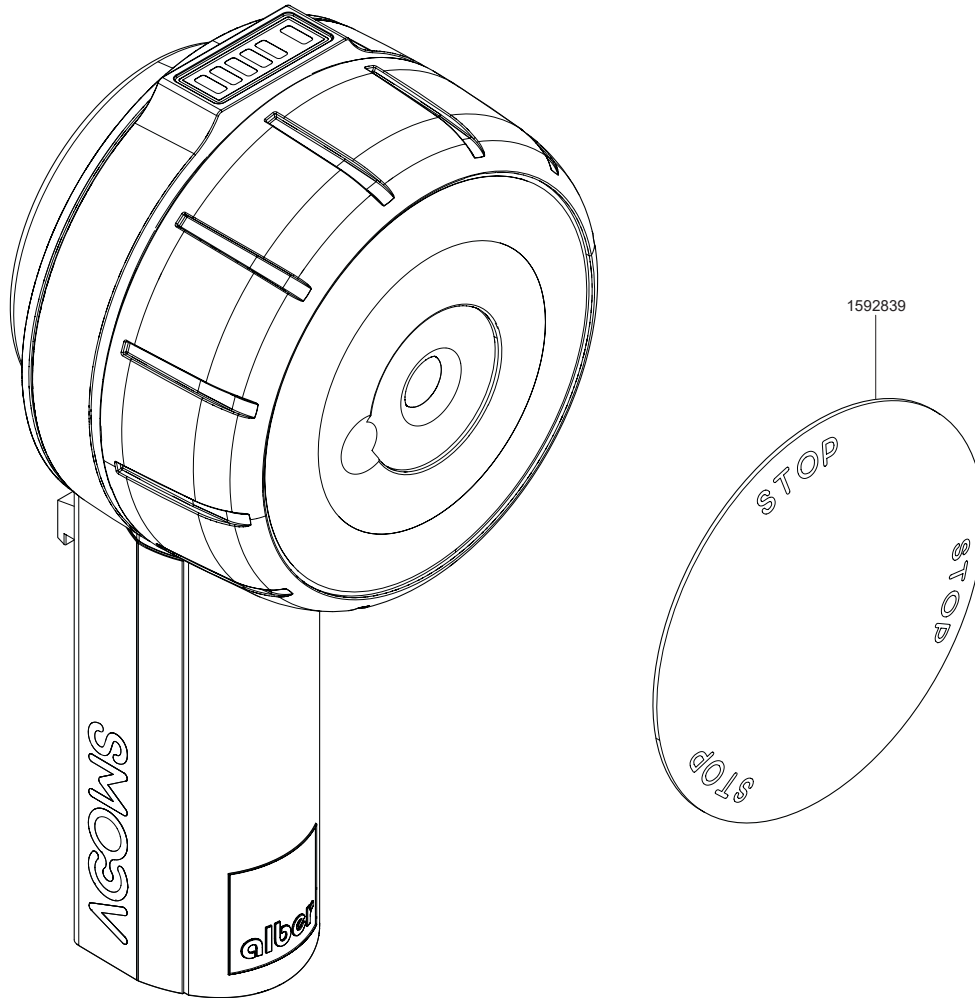
Article No.	Description	UOM	MSRP CAD
1592926	Charger smoov O10	EA	520.00
1592930	Drive unit Smoov O10	EA	3800.00
1592931	Control unit Smoov O10	EA	1800.00

## Drive unit



Article No.	Description	UOM	MSRP CAD
1456190	Cylinder head screw DIN 912 - M 6 x 16 - 8.8	EA	7.50
1521443	Locking Nut M10 X 1	EA	8.00
1565715	Covering hub axle nut Z10 / Z20 / P15	EA	8.00
1592841	Cover charging socket O10	EA	15.00
1592964	Tyre smoov O10	EA	240.00
1592962	Handle smoov O10 complete	EA	650.00
1592973	Torque receiver smoov O10	EA	55.00

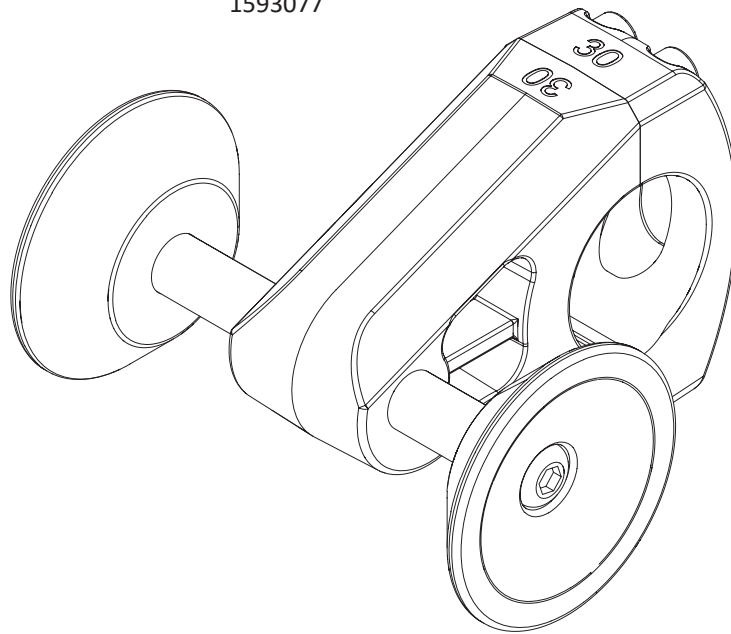
## Control unit



Article No.	Description	UOM	MSRP CAD
1592839	Cover control unit Smoov	EA	60.00

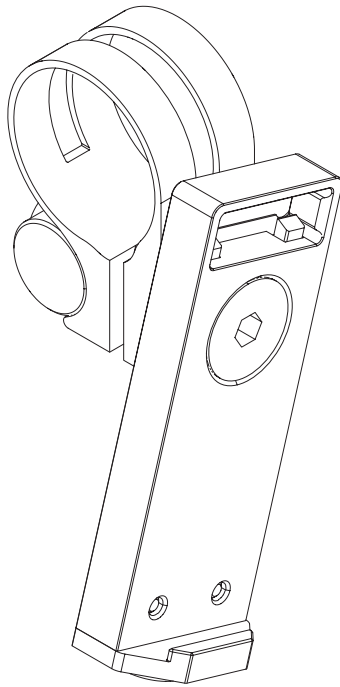
Brackets set axle - (Rigid Frame)

- 1593073
- 1593074
- 1593075
- 1593076
- 1593077



Article No.	Description	UOM	MSRP CAD
1593073	Bracket set axle 30 mm	EA	200.00
1593074	Bracket set axle 35 mm	EA	200.00
1593075	Bracket set axle 40 mm	EA	200.00
1593076	Bracket set axle 32 mm	EA	200.00
1593077	Bracket set axle 1 1/4"	EA	200.00

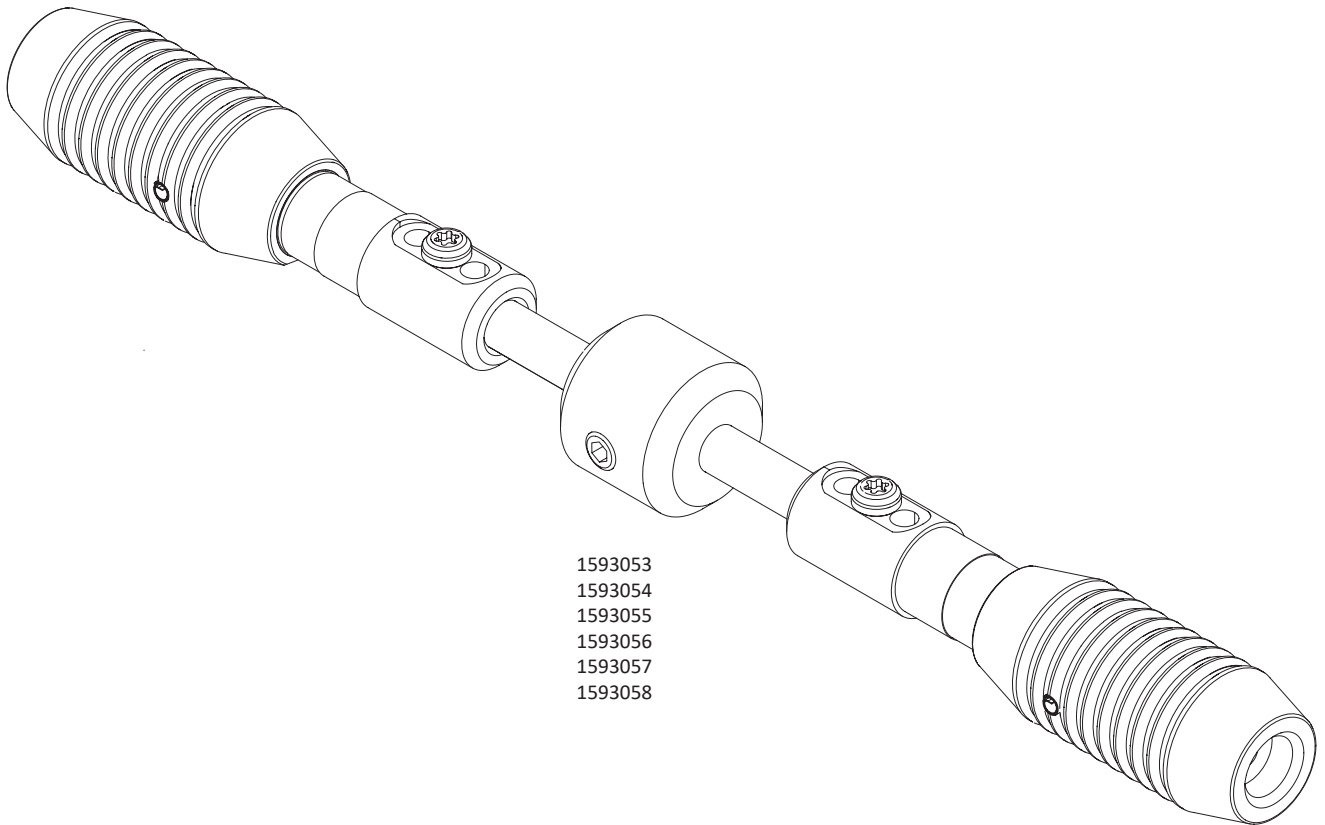
## Bracket set control unit



1593029  
1593035  
1593036  
1593037  
1593038

Article No.	Description	UOM	MSRP CAD
1593029	Bracket set control unit 23 mm	EA	300.00
1593035	Bracket set control unit 25 mm	EA	300.00
1593036	Bracket set control unit profil 1	EA	300.00
1593037	Bracket set control unit profil 2	EA	300.00
1593038	Bracket set control unit 30 mm	EA	300.00
1593278	Bracket set control unit 32 mm	EA	300.00

Adapter axle -(Folding Frame)



- 1593053
- 1593054
- 1593055
- 1593056
- 1593057
- 1593058

Article No.	Description	UOM	MSRP CAD
1593053	adapter axle folding frame O10 28,5 - 30,5 cm	EA	270.00
1593054	adapter axle folding frame O10 30,5 - 32,5 cm	EA	270.00
1593055	adapter axle folding frame O10 34,5 - 36,5 cm	EA	270.00
1593056	adapter axle folding frame O10 36,5 - 38,5 cm	EA	270.00
1593057	adapter axle folding frame O10 38,5 - 40,5 cm	EA	270.00
1593058	adapter axle folding frame O10 32,5 - 34,5 cm	EA	270.00



Invacare Canada LP  
www.invacare.ca  
570 Matheson Blvd. E.  
Unit 8  
Mississauga, Ontario  
L4Z 4G4 Canada  
(800) 668-5324

©2020  
All rights reserved.  
Trademarks are identified  
by the symbols TM, SM  
and ®. All trademarks are  
owned by or licensed to  
Invacare Corporation  
unless otherwise noted.  
Specifications are subject  
to change without  
notification.