

BA0006C Cherry

BA0006O Oak



The Great Over Bed Table



WARNING:

Read instructions before assembly.

1. Please check before assembling if the parts quantities are correct.
2. Check before each use to make sure it is securely assembled. Reinstall if necessary.
3. Max User Weight (11 lbs / 5 kgs) assembled.
4. Use ⑯ Allen wrench to support and assemble ⑥ socket head screw.
5. Install suggestion: Only a qualified technician should install this table with appropriate hardware to ensure safe installation.
6. Never remove ⑭ screw from upright.
7. ⑬ can be loosened slightly after the installation. **Note:** ⑬ must not be removed completely.

OPERATING INSTRUCTIONS:

1. Raise Table – apply light pressure upward to raise the table.
2. Lower Table – squeeze ③ trip lever upward and push down table top to desired position. *Note ③ will lock once released.*
3. **Tip:** Loosen ⑬ knob screw slightly if transition of table top appears too tight.

WARRANTY:

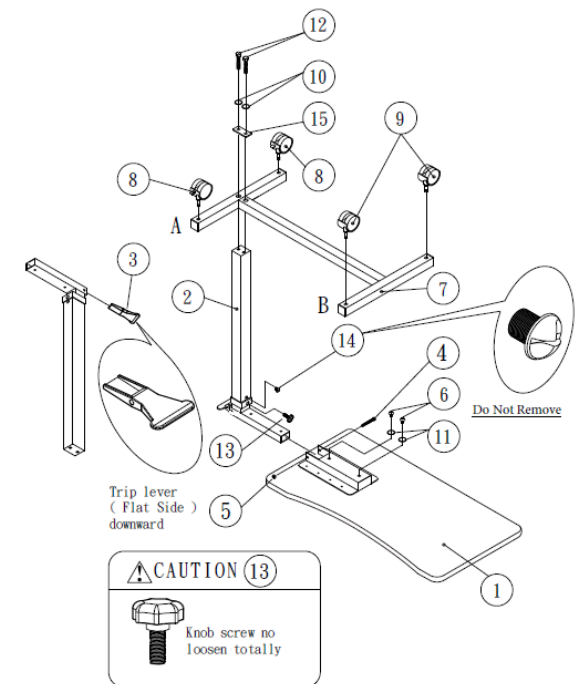
blue Great Hygiene Products are warrantied against manufacturer defect to the original user for a period of 13 months. Normal wear, abuse and misuse are not covered by warranty.

Manufactured By; SKE Co LTD No. 71, Lane 54, Sec. 2, An-Ho Rd., Tainan 709, Taiwan
 Distributed by: Invacare Canada LP 570 Matheson Boulevard East #8, Mississauga, ON, L4Z 4G4 - 1-800-668-5324

No.	Parts	Qty	No.	Parts	Qty	No.	Parts	Qty
①	Table top with bracket	1	⑥	5/16"x5/8"Socket head	2	⑪	Lock Washer 5/16"	2
②	Side tube set	1	⑦	H type base	1	⑫	Hex Bolts 3/8"-16x50	2
③	Trip Lever	1	⑧	Casters with Lock	2	⑬	Knob screw	1
④	Hex Bolts M6 x 45	1	⑨	Casters without Lock	2	⑭	Screw	1
⑤	Hex nut M6	1	⑩	Lock Washer 3/8"	2	⑮	Bolt Plate	1
						⑯	Allen wrench	1

Assembly Instructions:

1. Place ① upside down a surface.
2. Insert ③ trip lever flat side down into ② side tube set.
3. Insert ② side tube set into ① table top bracket. Insert ④ to pass through ①, ②, ③, and ⑤ nut.
4. Take ⑪ lock washer and ⑥ socket head cap screw to attach ② and ①
5. Place ⑦ upside down showing the 6 holes. Install ⑧ locking casters into side A of base. Install ⑨ non-locking caster in side B of base.
6. Insert the base with casters into ②, then take ⑮ bolt plate and then ⑩ lock washer & ⑫ hex bolt to install together
7. Place the overbed table upright again.
8. Installation complete.



MADE IN TAIWAN

FORM #20-116C