

Etude Plus HC



Yes, you can.

Parts Catalogue Usage Guide

The information contained in this document is subject to change without notice. This catalogue contains service parts for Form No. 16-055C. If you have any questions regarding this catalogue, please contact one of our Customer Service Representatives.

For Customer Service Support Call:

800-668-5324

For Faxed In Orders Call:

800-668-5478

For Technical Service Call:

800-668-5324

Literature Can Be Found at:

www.invacare.ca

SYMBOL DEFINITION

Throughout this catalog you will notice letters to draw your attention to specific footnotes which are located at the bottom of the page or below specified charts.

Examples:

A,B,C etc. = Special Comments

NOTE: = General information pertaining to that specific page

NLA = No Longer Available

HARDWARE MEASUREMENTS

The measurements for the hardware will be listed as follows:

Screws, Bolts Diameter X Thread Count/Pitch X Length

Washers Inside Diameter X Outside Diameter X Thickness

Spacers Inside Diameter X Outside Diameter X Length

For your convenience, we have supplied an area for you to list your Invacare Representatives.

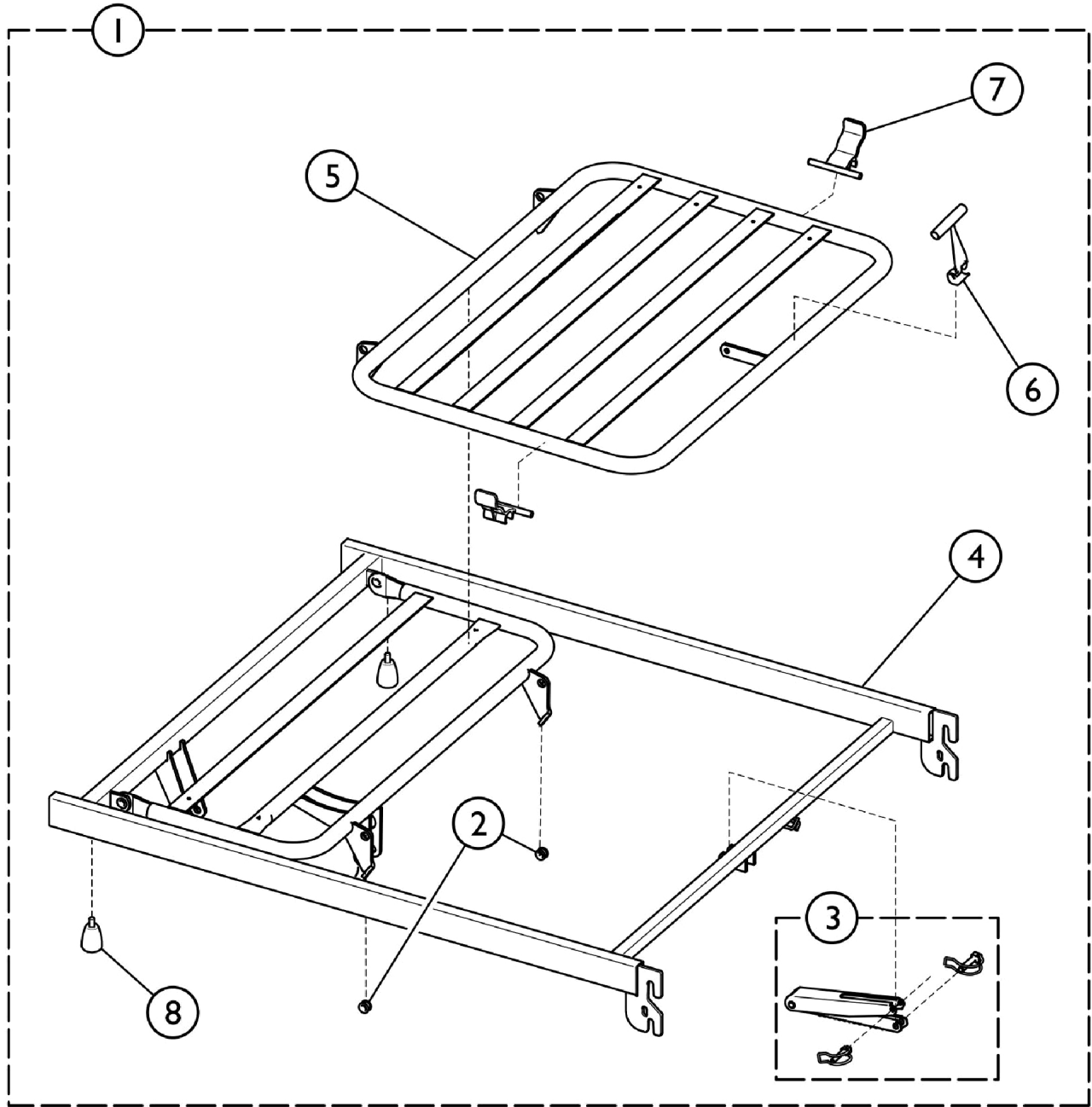
Name	Phone Numbers

© 2016 Invacare Corporation. All rights reserved. Republication, duplication or modification in whole or in part is prohibited without prior written permission from Invacare. Trademarks are identified by ™ and ®. All trademarks are owned by or licensed to Invacare Corporation or its subsidiaries unless otherwise noted.

TABLE of CONTENTS

Description	Page Number
01. Mattress Support, Head End, w/ Auto Regression	5
02. Mattress Support, Leg End	3
03. Bed End	7
04. Motor, Head End, Auto Regression	9
05. Motor, Leg End	11
06. Motor, Bed End Lifting	13
07. Control Unit (120v)	15
08. Battery Backup	17
09. Hand Controls	19
10. Side Rail, Verso II	21
11. Side Panels	23
12. Lifting Pole	25
13. Transport Kit	27

Mattress Support, Leg End



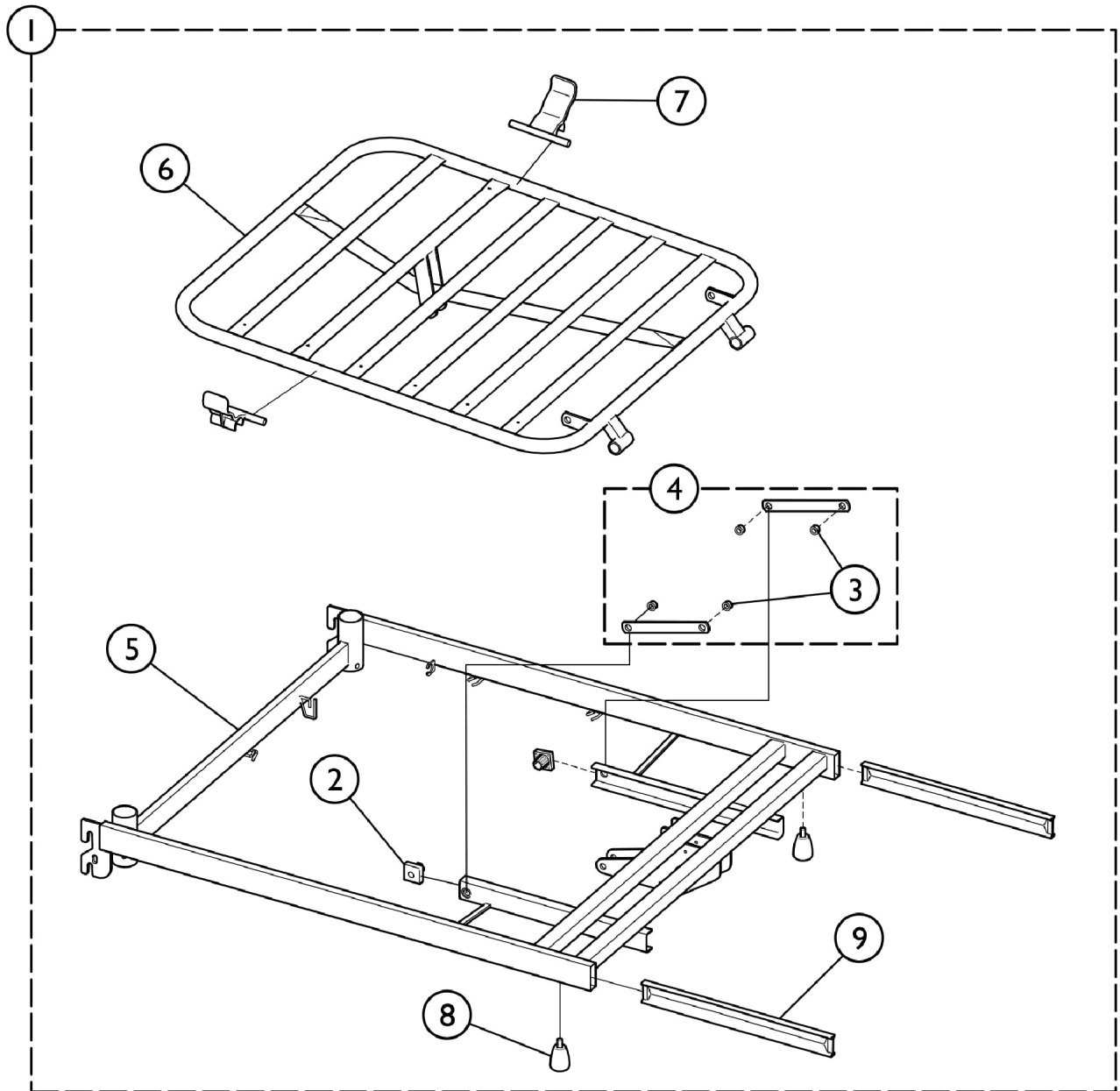
SBP_068A

Mattress Support, Leg End

Item Number	Note	Part Number	Description	Quantity Per	
				Package	Assembly
1	A	SP1584447	Mattress Support, Complete, Leg End	1	1
2		SP1435195	Kit, Rivet Replacement	1	1
3		SP1417418	Kit, Ratchet and Pin, Four Sections	1	1
4		SP1423882	Top Frame, Leg Section	1	1
5		SP319114	Leg Section	1	1
6		SP217996-7035	Holder, Mattress	1	1
7		SP1574230	Handle, Mattress	1	2
8		SP1584437	Screw, Finger (M8 x 13) (Pair)	1	1

NOTE: A - Includes items 2 - 8.

Mattress Support, Head End, w/ Auto Regression



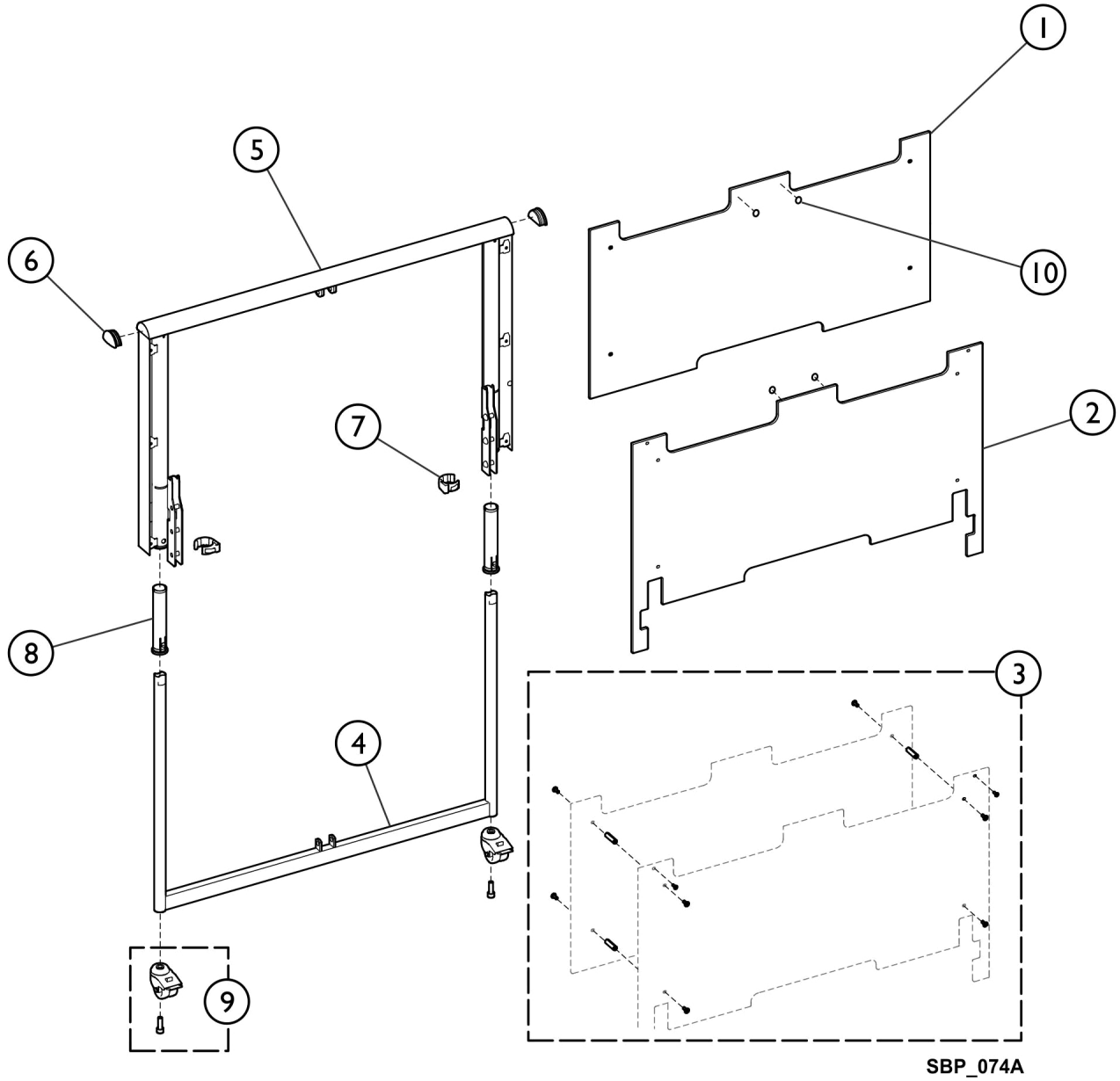
SBP_064A

Mattress Support, Head End, w/ Auto Regression

Item Number	Note	Part Number	Description	Quantity Per	
				Package	Assembly
1	A	SP1530669	Head Frame, Complete w/ Autoregression Kit	1	1
2		SP319155-7035	Slide Shoe, Grey	1	2
3		SP1435195	Kit, Rivet Replacement	1	1
4		SP420939	Kit, Tension Rod	1	1
5		SP1584406	Top Frame, Head End	1	1
6		SP1530713	Backrest	1	1
7		SP1574230	Handle, Mattress	1	2
8		SP1584437	Screw, Finger (M8 x 13) (Pair)	1	1
9		SP1584419	Insert Tubes (Pair)	1	1

NOTE: A - Includes items 2 - 9.

Bed End

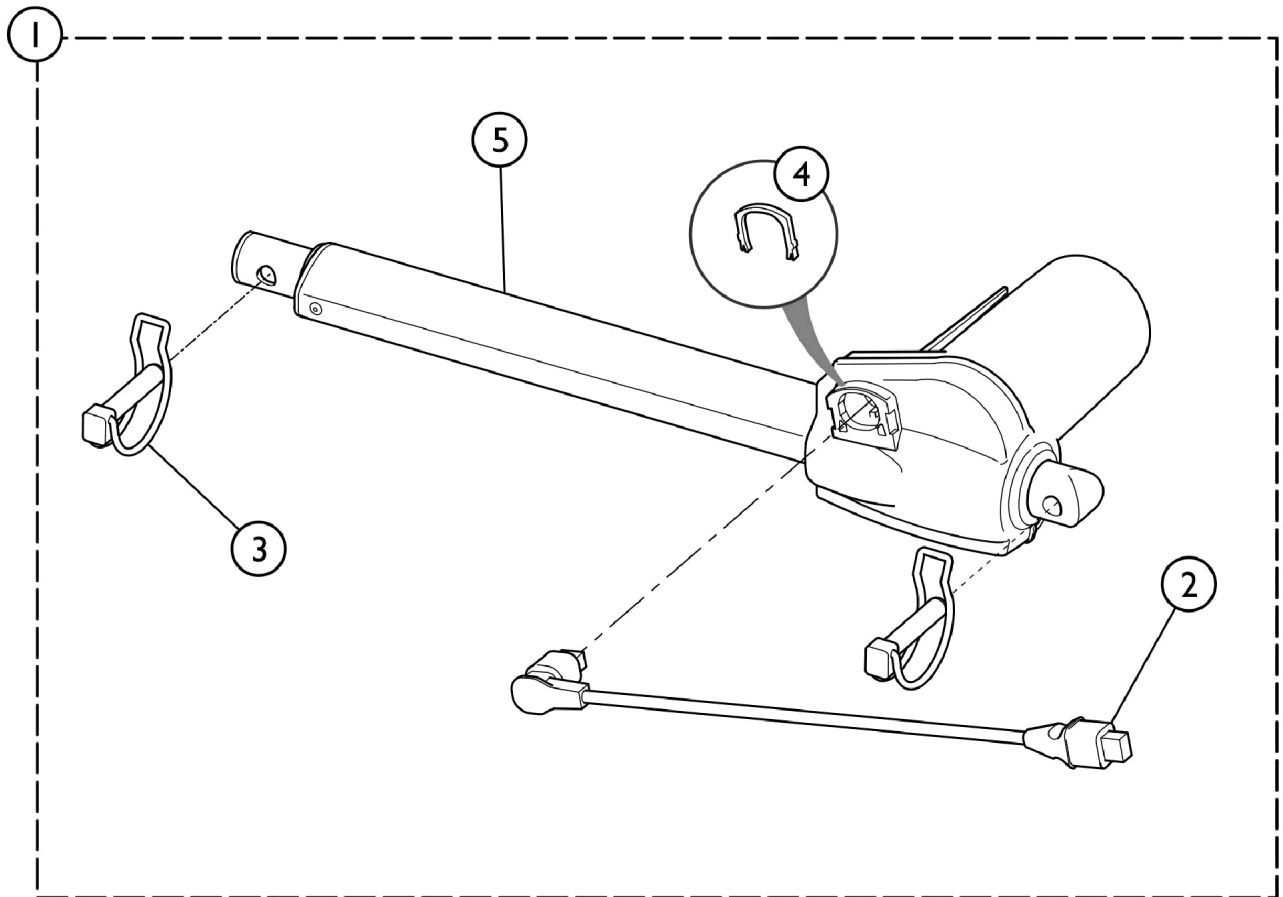


SBP_074A

Bed End

Item Number	Note	Part Number	Description	Quantity Per	
				Package	Assembly
1		SP1580848	Outer Plate, Bed End	1	1
2		SP1580849	Inner Plate, Bed End	1	1
3		SP1177554	Kit, Cover Fixation, Wood Cover	1	1
			Screw, Furniture (M6 x 15)	1	8
			Standoff (M6 x 40 mm)	1	4
4		SP1568600	Bed End, Lower Part	1	1
5		SP1580847	Bed End, Upper Part	1	1
6		SP1441400-703 5	End Plug (Pair)	1	1
7		SP418443-7035	Locking Ring (Pair)	1	1
8		SP1563579	Kit, Plastic Tube	1	1
			Plastic Tube	1	4
9		SP1177548	Kit, Caster Assembly w/ Hardware (50mm)	1	1
			Caster Assembly, Low (50mm)	1	2
			Screw (M10 x 30mm)	1	2
10		SP806775	Rubber Pad	1	1

Motor, Head End, Auto Regression



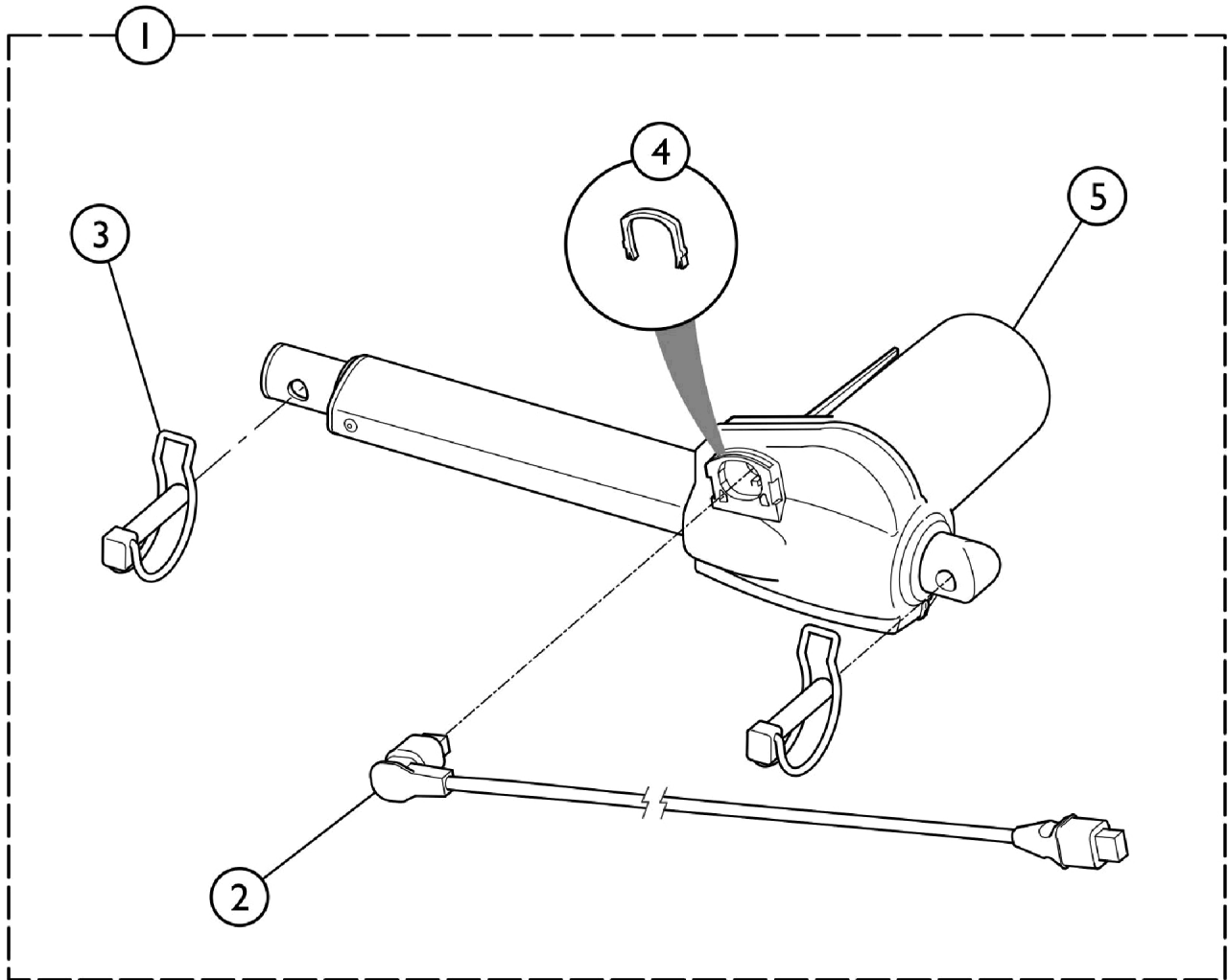
SBP_063A

Motor, Head End, Auto Regression

Item Number	Note	Part Number	Description	Quantity Per	
				Package	Assembly
1	A	SP1584451	Motor, Head End, Complete	1	1
2		SP1551455-703 5	Cable, Actuator (LA27, 200mm)	1	1
3		SP819411	Retaining Pin Assembly (10 mm Dia. x 50)	1	1
4		SP1551875	Locking Clip	1	1
5		SP1531616-703 5	Actuator (24V, LA27)	1	1

NOTE: A - Includes items 2 - 5.

Motor, Leg End



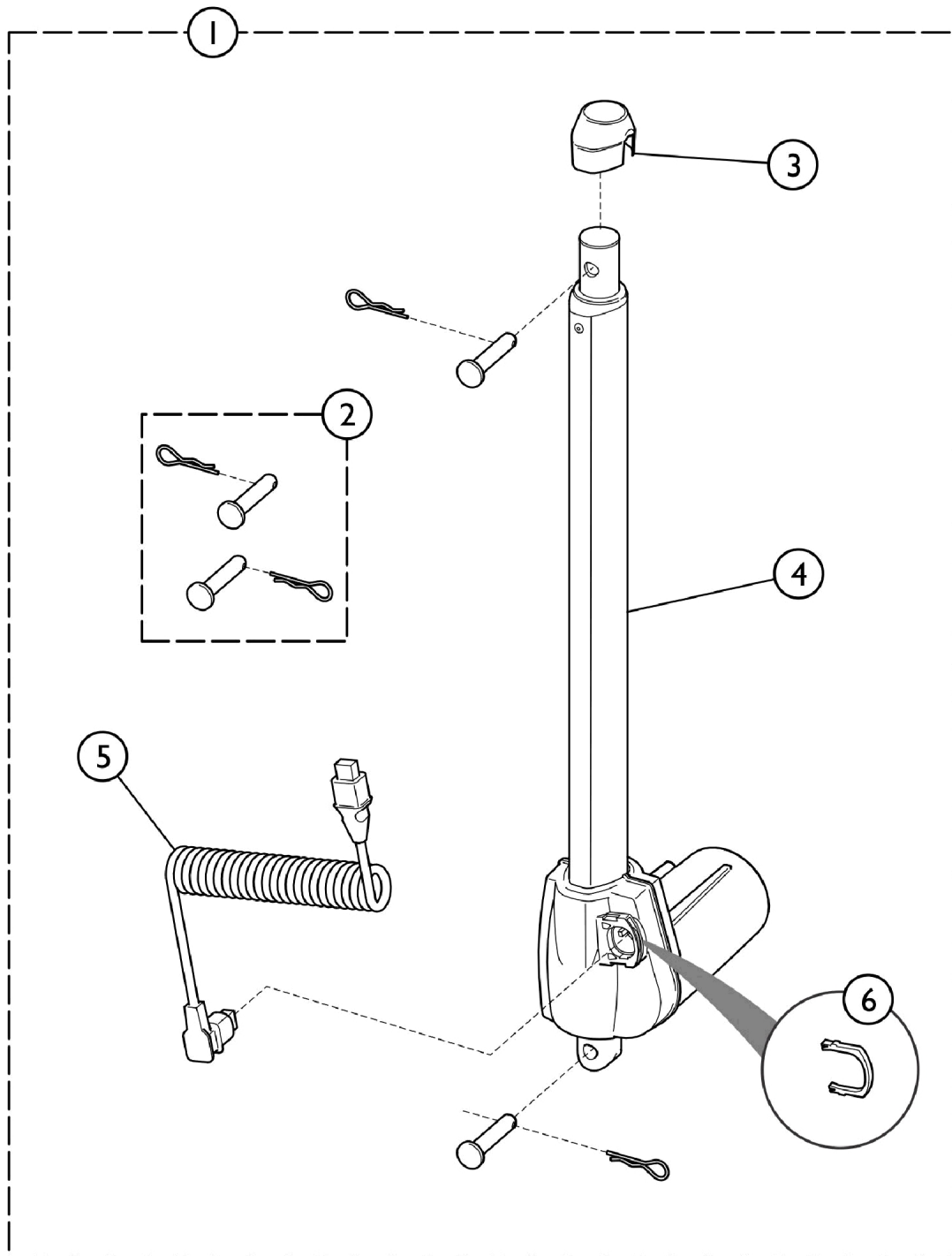
SBP_070A

Motor, Leg End

Item Number	Note	Part Number	Description	Quantity Per	
				Package	Assembly
1	A	SP1552616	Motor, Leg End, Complete	1	1
2		SP1551457-703 5	Cable, Actuator (LA27, 1250mm)	1	1
3		SP819411	Retaining Pin Assembly (10 mm Dia. x 50)	1	1
4		SP1551875	Locking Clip	1	1
5		SP1551456-703 5	Actuator (24V, LA27)	1	1

NOTE: A - Includes items 2 - 5.

Motor, Bed End Lifting



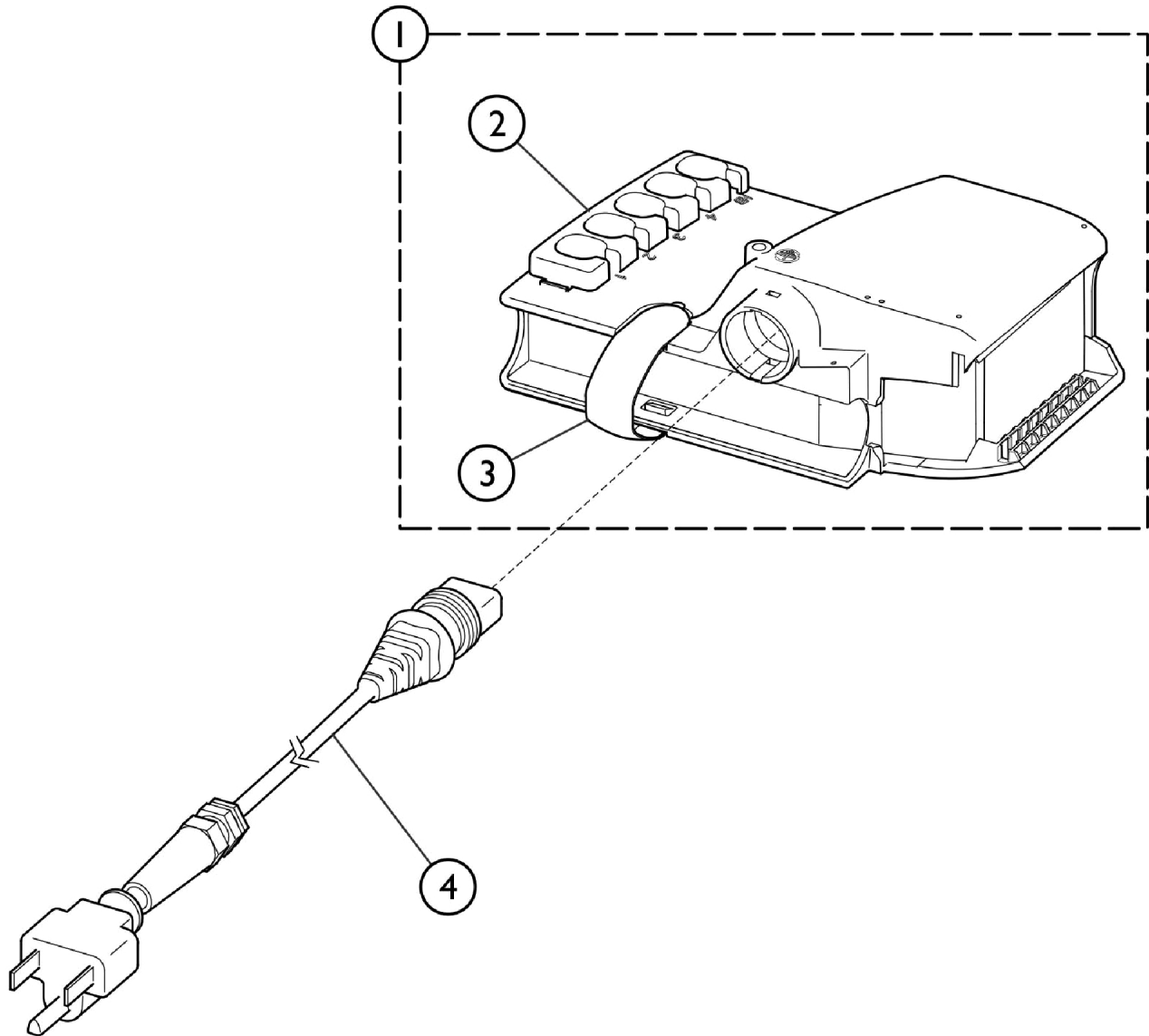
SBP_069A

Motor, Bed End Lifting

Item Number	Note	Part Number	Description	Quantity Per	
				Package	Assembly
1	A	SP1552524	Motor, Bed End, Complete (24V, LA27)	1	1
2		SP1584448	Kit, Mounting, Bed End Motor	1	1
3		SP1432760-703	Plastic Cap	1	1
		5			
4		SP1551452-703	Actuator (24V, LA27)	1	1
		5			
5		SP1551453-703	Cable, Actuator (LA27)	1	1
		5			
6		SP1551875	Locking Clip	1	1

NOTE: A - Includes items 2 - 6.

Control Unit (120v)



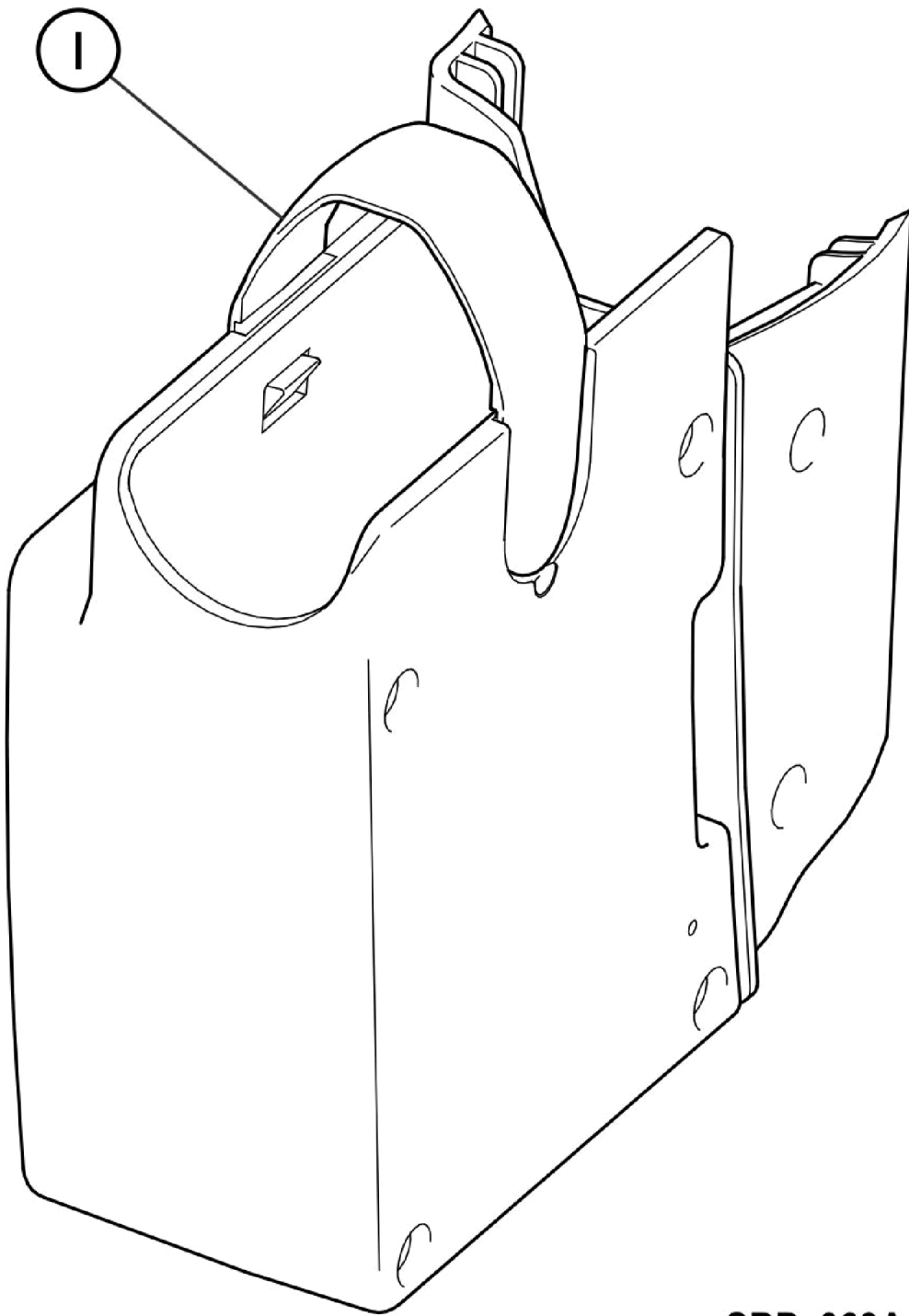
SBP_071A

Control Unit (120v)

Item Number	Note	Part Number	Description	Quantity Per	
				Package	Assembly
1	A	SP1580851	Control Unit (CB06, 120v)	1	1
2		SP1423968-703 5	Locking Clip	1	1
3		SP1427705-703 5	Control Box Retaining Clip	1	1
4		SP1581605	Cable (120v)	1	1

NOTE: A - Includes items 2 and 3.

Battery Backup

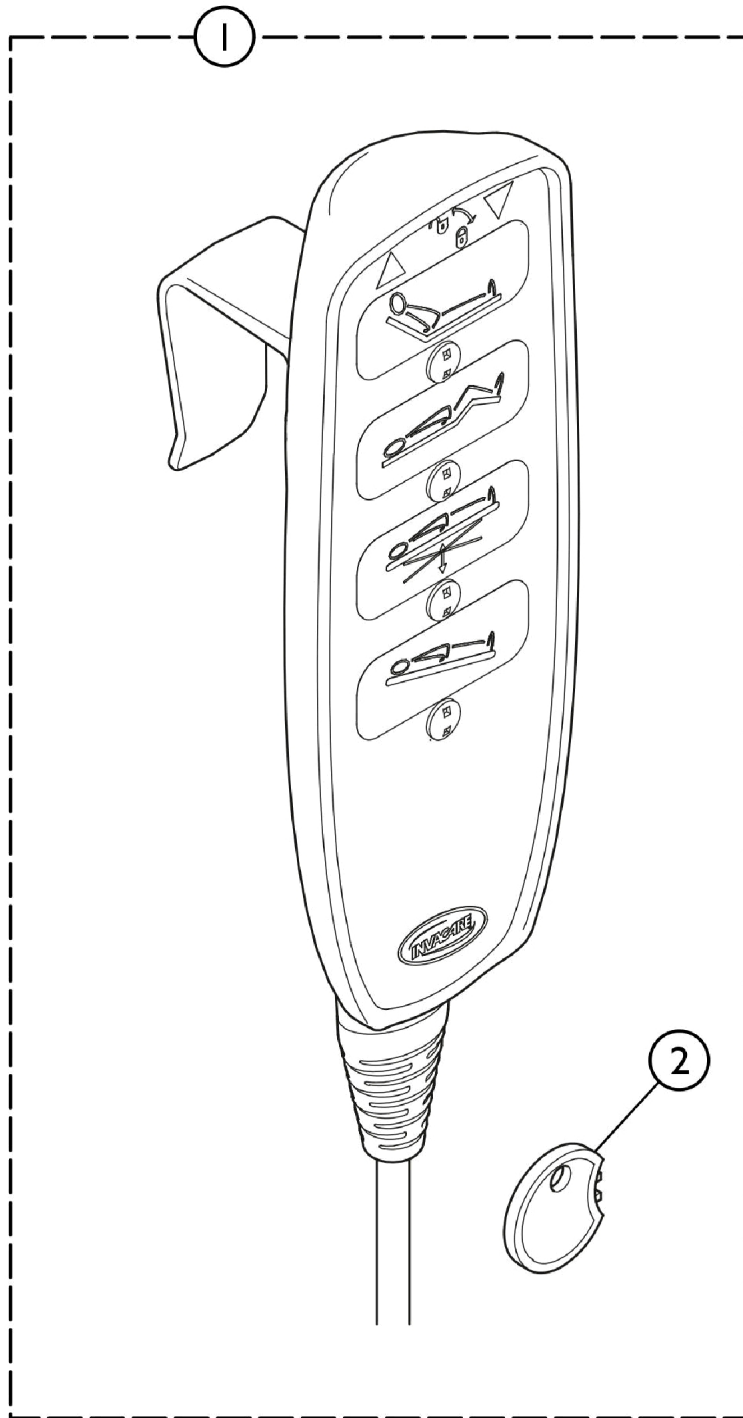


SBP_063A

Battery Backup

Item Number	Note	Part Number	Description	Quantity Per	
				Package	Assembly
1		SP1584186	Battery Backup	1	1

Hand Controls

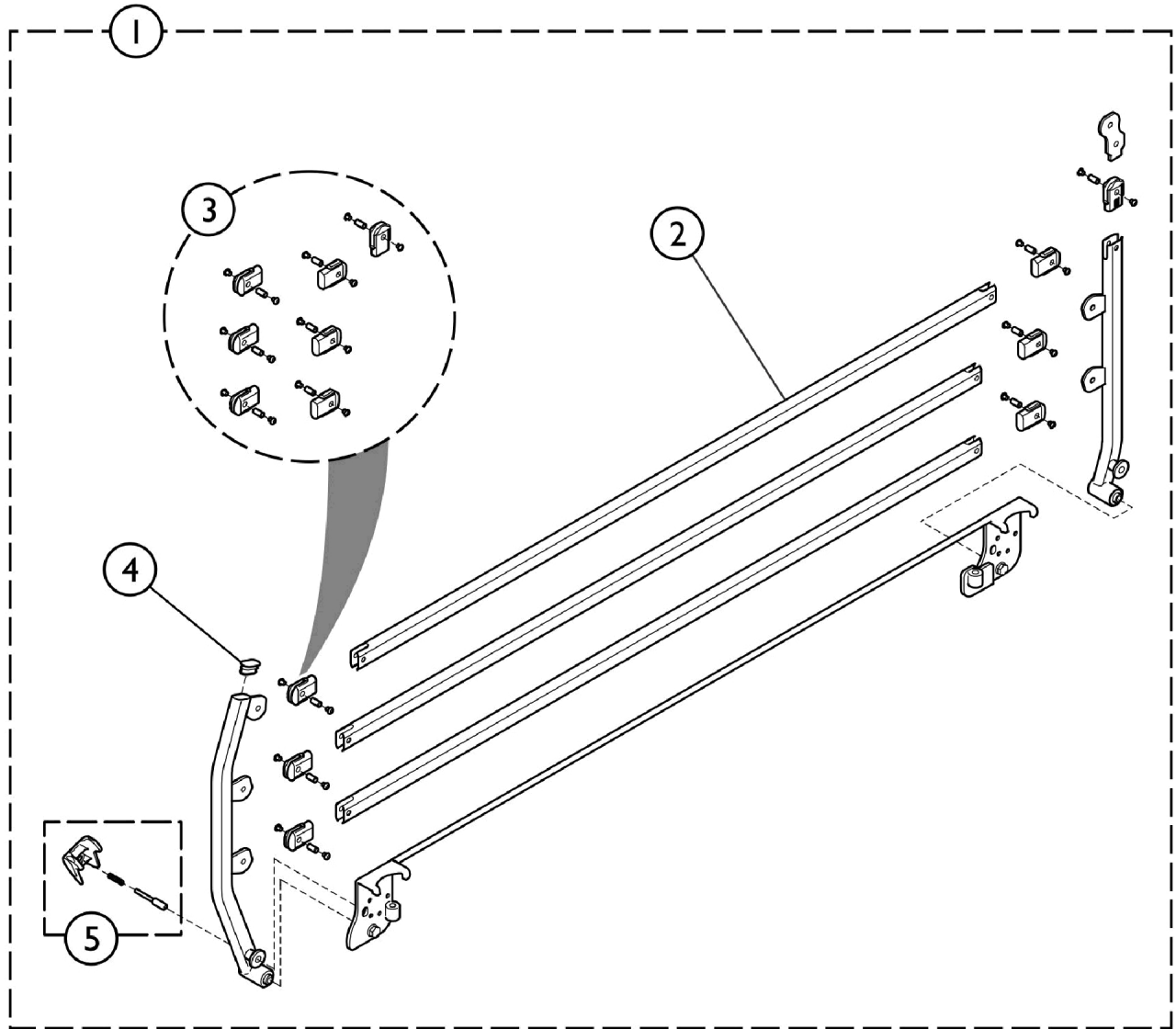


SBP_067A

Hand Controls

Item Number	Note	Part Number	Description	Quantity Per	
				Package	Assembly
1	A	SP1548936-703 5	Hand Control, HL84 w/ Tilt (Lockable)	1	1
2		SP1493529	Key, Handset Lockout	1	1
NOTE: A - Includes item 2.					

Side Rail, Verso II



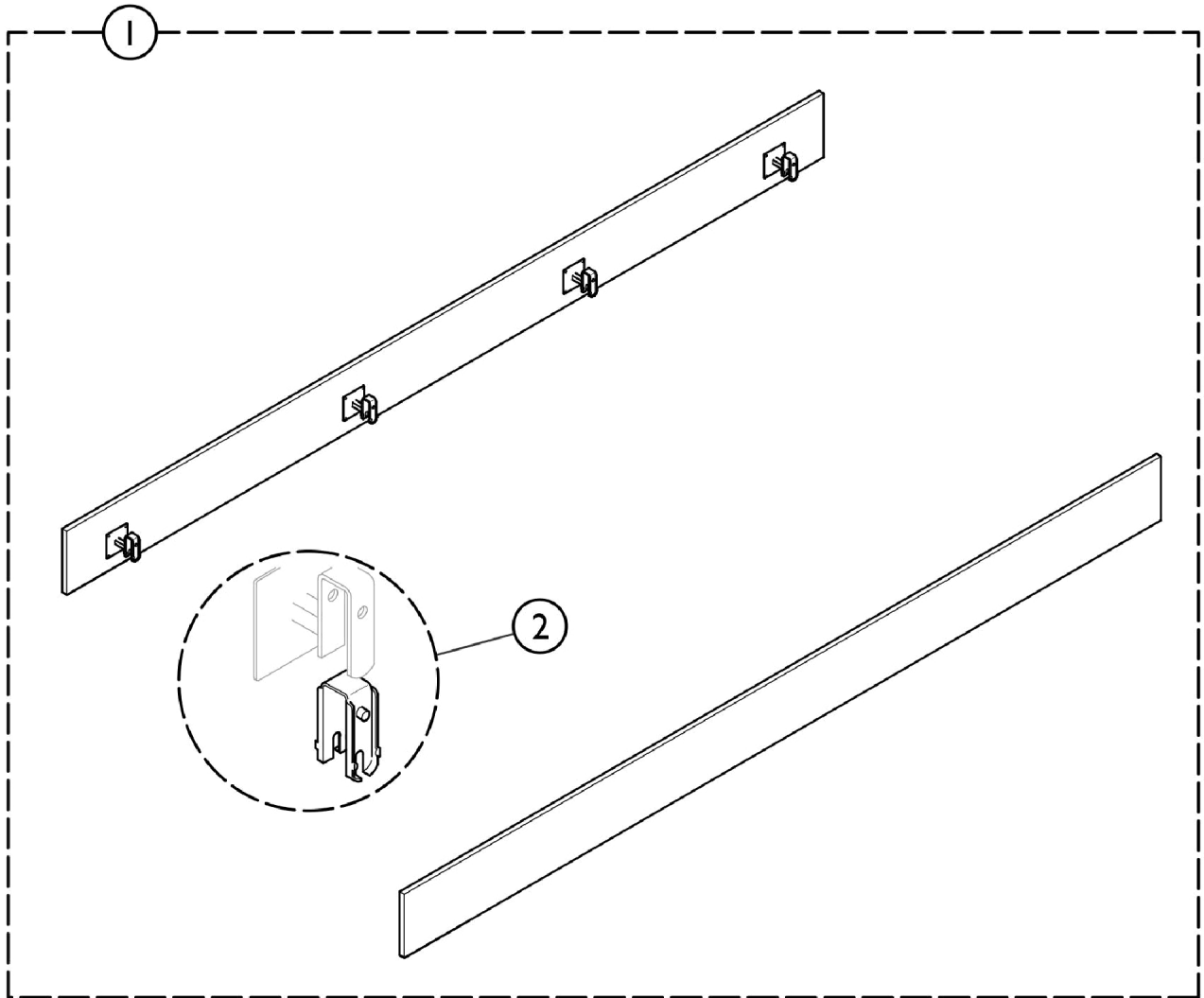
SBP_072A

Side Rail, Verso II

Item Number	Note	Part Number	Description	Quantity Per	
				Package	Assembly
1	A	1581823-0154	Side Rail, Verso II (Pair)	1	1
2		SP1553321-0154	Oval Bar, Verso II	1	3
3		SP1553663	Side Rail Articulations	1	1
4		SP1554056-7035	Oval Plastic Cap (36 x 18 x 1,5mm)	1	1
5		SP1553664	Locking System, Side Rail	1	1

NOTE: A - Includes items 2 - 5.

Side Panels



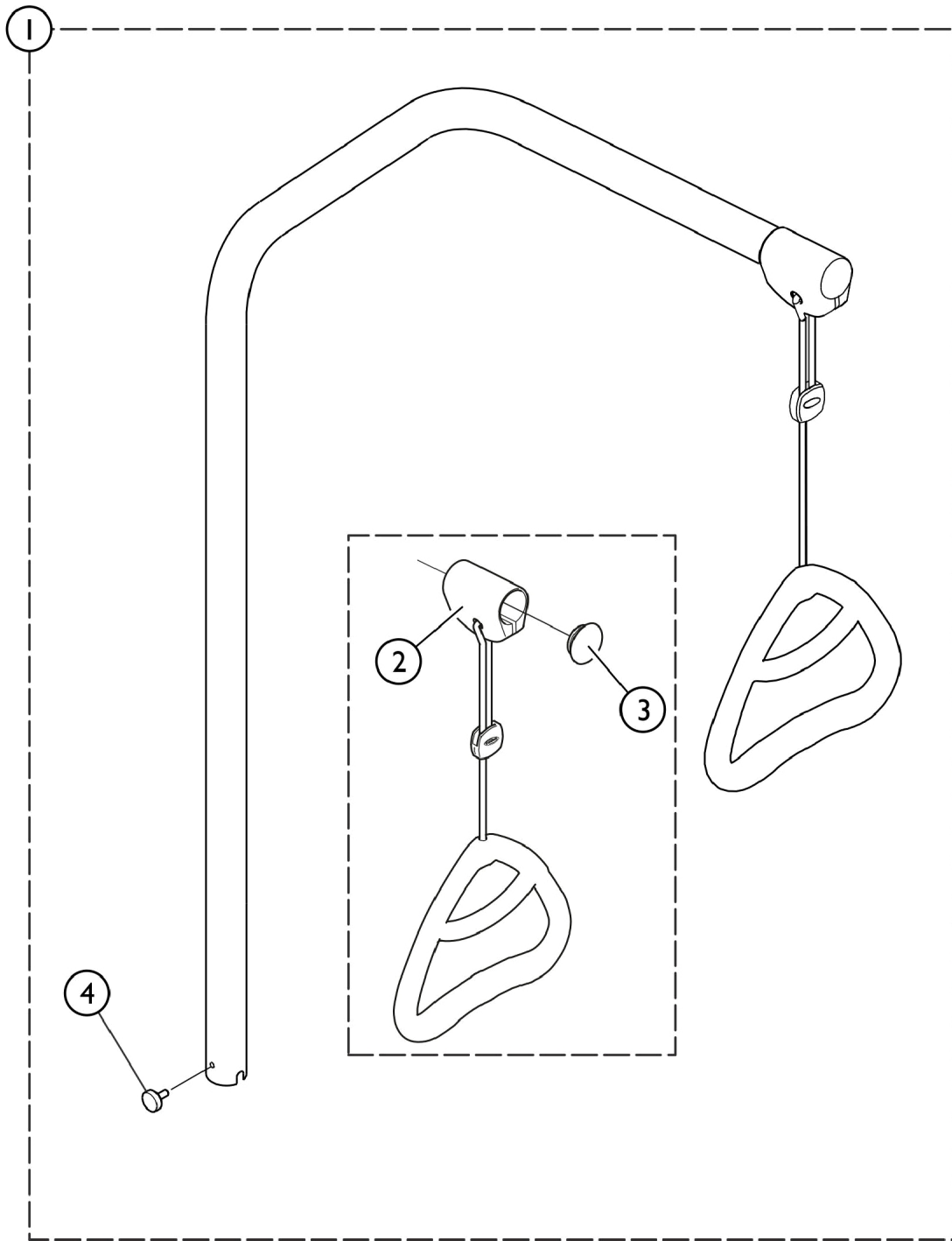
SBP_073A

Side Panels

Item Number	Note	Part Number	Description	Quantity Per	
				Package	Assembly
1	A	1582716-0101	Side Panels, Wooden, Beech (Pair)	1	1
2		SP421843-7035	Insert, Plastic (4 pcs.)	1	1

NOTE: A - Includes item 2.

Lifting Pole

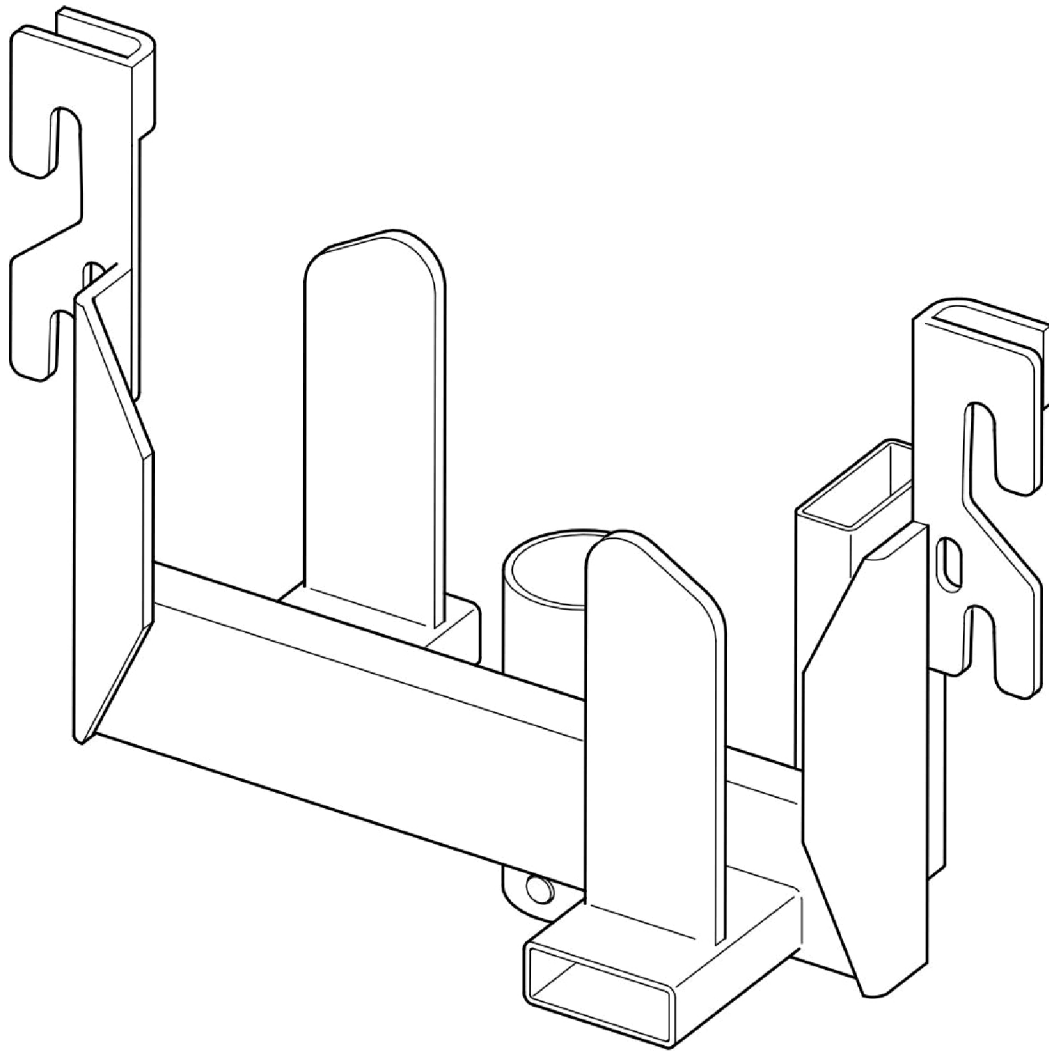


SBP_065A

Lifting Pole

Item Number	Note	Part Number	Description	Quantity Per	
				Package	Assembly
1	A	1542093-0154	Lifting Pole	1	1
			Lifting Pole Handle	1	1
			Package, Finger Screw	4	1
2		SP320597	Kit, Handle w/ Suspension, Lifting Pole	1	1
3		SP317836	Cap, Lifting Pole (33mm)	1	1
4		SP803979-9005	Knob, Lifting Pole	1	1
NOTE: A - Includes items 2 - 4.					

Transport Kit



SBP_066A

Item Number	Note	Part Number	Description	Quantity Per	
				Package	Assembly
1		1543779-0154	Kit, Transport Bracket	1	1

Invacare Canada L.P.

www.invacare.ca



Yes, you can.

570 Matheson Blvd E
Mississauga, ON
L4Z 4G4
905-890-8300

Technical Support
800-668-5324
Customer Service
800-668-5324

Literature Orders
www.invacare.ca

© 2016 Invacare Corporation. All rights reserved. Republication, duplication or modification in whole or in part is prohibited without prior written permission from Invacare. Trademarks are identified by ™ and ®. All trademarks are owned by or licensed to Invacare Corporation or its subsidiaries unless otherwise noted. (Revised 03/03/13)

Form No. 16-055C