

Aquatec® R / F / XL



en	Bath lift User Manual	3
fr	Élévateur de bain Manuel d'utilisation.....	31
es	Elevador de bañera Manual del usuario	65



This manual **MUST** be given to the user of the product.
BEFORE using this product, read this manual and save for future reference.

AQUATEC



Yes, you can.®

©2018 Invacare Corporation

All rights reserved. Republication, duplication or modification in whole or in part is prohibited without prior written permission from Invacare. Trademarks are identified by ™ and ®. All trademarks are owned by or licensed to Invacare Corporation or its subsidiaries unless otherwise noted.

Contents

This manual MUST be given to the user of the product.
BEFORE using this product, read this manual and save for future reference.

1 General	4
1.1 Introduction	4
1.2 Symbols in this manual	4
1.3 Warranty	4
1.4 Compliance	5
1.4.1 Product-specific standards	5
1.5 Intended use	5
1.6 Service life	5
2 Safety	6
2.1 Safety information	6
2.2 Safety information on electromagnetic compatibility	7
2.3 Labels and symbols on the product	7
3 Setup	9
3.1 Safety information	9
3.2 Scope of delivery	9
3.3 Setting up the bath lift	10
3.4 Charging the battery	13
4 Usage	15
4.1 Safety information	15
4.2 Controlling the bath lift	15
4.3 Bathing	16
5 Transport	18
5.1 Safety information	18
5.2 Removing the bath lift	18
6 Maintenance	20
6.1 Servicing and inspection	20
6.2 Cleaning and disinfection	20

7 After Use	22
7.1 Storage	22
7.2 Re-use	22
7.3 Disposal	22
8 Troubleshooting	23
8.1 Identifying and repairing faults	23
9 Technical Data	24
9.1 Dimensions and weight	24
9.2 Electronic data	24
9.3 Materials	25
9.4 Environmental Parameters	25
10 Electromagnetic compatibility (EMC)	26
10.1 General EMC information	26
10.2 Electromagnetic emission	26
10.3 Electromagnetic Immunity	27

1 General

1.1 Introduction

This user manual contains important information about the handling of the product. To ensure safety when using the product, read the user manual carefully and follow the safety instructions.

Note that there may be sections in this document, which are not relevant to your product, since this document applies to all available models (on the date of printing). If not otherwise stated, each section in this document refers to all models of the product.

The models and configurations available in your country can be found in the country-specific price lists.

Invacare reserves the right to alter product specifications without further notice.

Before reading this document, make sure you have the latest version. You find the latest version as a PDF on the Invacare website.

If you find that the font size in the printed document is difficult to read, you can download the PDF version from the website. The PDF can then be scaled on screen to a font size that is more comfortable for you.

For more information about the product, for example product safety notices and product recalls, contact your Invacare representative. See addresses at the end of this document.

1.2 Symbols in this manual

Symbols and signal words are used in this manual and apply to hazards or unsafe practices which could result in personal injury or property damage. See the information below for definitions of the signal words.



WARNING

Indicates a hazardous situation that could result in serious injury or death if it is not avoided.



CAUTION

Indicates a hazardous situation that could result in minor or slight injury if it is not avoided.



IMPORTANT

Indicates a hazardous situation that could result in damage to property if it is not avoided.



Tips and Recommendations

Gives useful tips, recommendations and information for efficient, trouble-free use.



This product complies with Directive 93/42/EEC concerning medical devices. The launch date of this product is stated in the CE declaration of conformity.



Manufacturer of the product.

1.3 Warranty

We provide a manufacturer's warranty for the product in accordance with our General Terms and Conditions of Business in the respective countries. Warranty claims

can only be made through the provider from whom the appliance was obtained.

Covers and suction cups are excluded from this warranty.

1.4 Compliance

Quality is fundamental to the company's operation, working within the disciplines of ISO 13485.

This product features the CE mark, in compliance with the Medical Device Directive 93/42/EEC Class 1.

We are continuously working towards ensuring that the company's impact on the environment, locally and globally, is reduced to a minimum.

We only use REACH compliant materials and components.

We comply with the current environmental legislations WEEE and RoHS.

1.4.1 Product-specific standards

The product meets the requirements of the standard ISO 10535 (Hoists for the transfer of disabled persons).

For further information please contact Invacare in your country (for addresses, see end of this document).

1.5 Intended use

Bath lifts facilitate respectively allow entering and exiting the bathtub. They are intended solely as a bathing aid for people with reduced mobility. Any other use is prohibited.

Indications

- Significant reduction in function / missing functionality of the upper and/or lower extremities (such as amputations, paralysis, joint disorders, neuromuscular disorders with impairment of the extremities), when an independent entering and exiting from the bathtub respectively sitting down and getting up is no longer possible; Trunk control and basic functional capability of the extremities must still be sufficient.
- Chronic consequences of illness with functional limitations of the upper and/or lower extremities, that no longer permit an independent bathing, however when a largely independent bathing is possible by the use of the bath lift and other bathing aids for compensating the disability are not sufficient.

Contraindications

There are no contraindications associated with proper use.

1.6 Service life

The expected service life of this product is five years when used daily and in accordance with the safety instructions, maintenance intervals and correct use, stated in this manual. The effective service life can vary according to frequency and intensity of use.

2 Safety

2.1 Safety information

**WARNING!**

- Do not use this product or any available optional equipment without first completely reading and understanding these instructions and any additional instructional material such as user manuals, service manuals or instruction sheets supplied with this product or optional equipment. Invacare product manuals are available on the internet or at your local dealer (Addresses are displayed on the back cover of this manual).
- If you are unable to understand the warnings, cautions or instructions, please contact a healthcare professional, dealer or technical personnel before attempting to use this equipment – otherwise, injury or damage may occur.

**WARNING!****Risk of injury**

- Do not use if defective.
- In the event of a malfunction, contact your dealer immediately.
- Do not make any unauthorized changes or alterations to the product.
- Only use spare parts intended for this product.

**WARNING!****Risk of injury**

- Never stand on the bath lift to get into or out of the bathtub, do not use it for climbing or descending, as a lifting platform or for any similar purpose.

**IMPORTANT!**

- The information contained in this document is subject to change without notice.
- Check all parts for shipping damage and test before using.

2.2 Safety information on electromagnetic compatibility



WARNING!

Risk of malfunction due to electromagnetic interference

Electromagnetic interference between this product and other electrical equipment can occur and disturb the electrical adjustment functions of this product. To prevent, reduce or eliminate such electromagnetic interference:

- Only use original cables, accessories and spare parts, to not increase electromagnetic emission or reduce electromagnetic immunity of this product.
- Do not use portable radio frequency (RF) communications equipment closer than 30 cm to any part of this product (including cables).
- Do not use this product near active high-frequency surgical equipment and the RF shielded room of a system for magnetic resonance imaging, where the intensity of electromagnetic disturbances is high.
- If disturbances occur, increase the distance between this product and the other equipment or switch it off.
- Refer to the detailed information and follow the guidance in chapter 10 *Electromagnetic compatibility (EMC)*, page 26.



WARNING!

Risk of malfunction

Electromagnetic interference may cause improper operation.

- Do not use this product adjacent to or stacked with other electrical equipment. If such use is necessary this product and the other equipment must be closely observed to verify that they are operating normally.

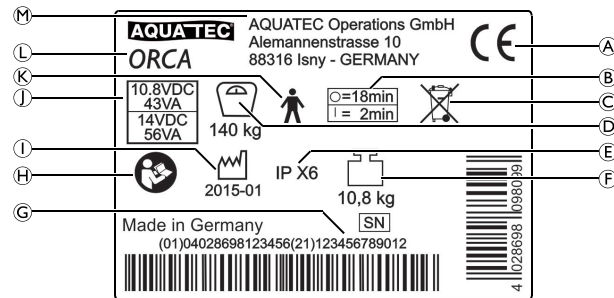


We are not aware of any risk when using products like a cardiac pacemaker.

2.3 Labels and symbols on the product

Identification label

The identification label contains important information:



Ⓐ	Conformity mark
Ⓑ	Interval of use (continuous operation of the engine is not allowed): max. 2 minutes continuous use followed by a 18 minute break
Ⓒ	Note (disposal)
Ⓓ	Maximum user weight
Ⓔ	Type of protection
Ⓕ	Product weight
Ⓖ	Serial number
Ⓗ	Read user manual
Ⓘ	Production date
Ⓝ	Nominal voltage/ rated power, see <i>9.2 Electronic data, page 24</i>
Ⓚ	Type B applied part
Ⓛ	Product designation
Ⓜ	Manufacturer



The identification label is applied to the back of the backrest.

3 Setup

3.1 Safety information



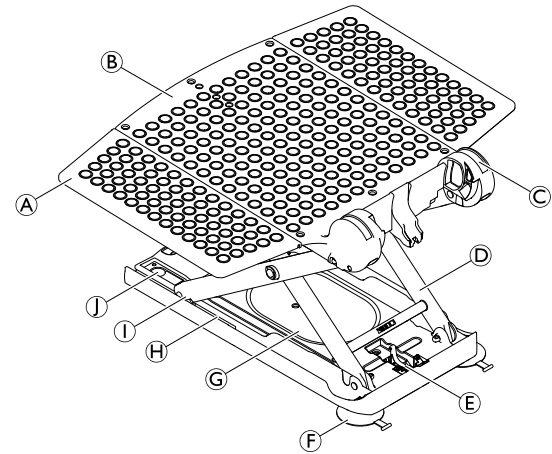
IMPORTANT!

- Check the parts for transport damage before commissioning and contact the dealer if required.
- Ensure during assembly that the parts are positioned correctly with respect to one another.
- It is recommended to wash the covers before first use, see chapter 6.2 *Cleaning and disinfection*, page 20.

3.2 Scope of delivery

This user manual refers to the models R, F and XL. These Models differ in weight and the maximum user weight, see section 9.1 *Dimensions and weight*, page 24. A seat- and backrest cover is optionally available for all three models. The backrest can not be lowered on model F. The following components are included within the scope of delivery:

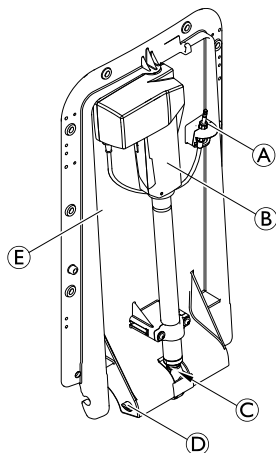
Seat



(A)	Side flap
(B)	Seat plate
(C)	Hinge for backrest
(D)	Lifting scissors
(E)	Spindle foot retainer
(F)	Rear suction cups (two tabs with thread)
(G)	Base plate
(H)	Guide for the sliding shoe

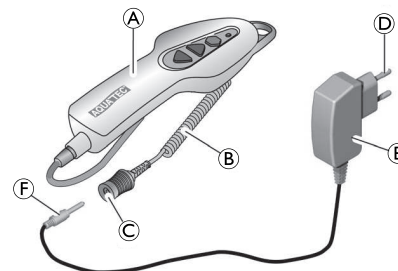
①	Sliding shoe
①	Front suction cups (one tab with head)

Backrest



Ⓐ	Jack plug
Ⓑ	Drive
Ⓒ	Spindle foot
Ⓓ	Locking pin
Ⓔ	Plate, backrest

Hand control and charger



Ⓐ	Hand control with battery
Ⓑ	Mains plug
Ⓒ	Charger
Ⓓ	Hand control spiral cable
Ⓔ	Jack socket of hand control
Ⓕ	Jack plug of charger

3.3 Setting up the bath lift



WARNING!

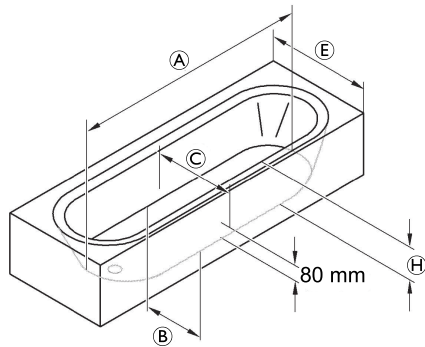
Risk of slipping

The bath lift can slip if the suction cups do not have a good hold.

- Clean the bathtub and the suction cups with a damp cloth before setting up the bath lift.
- Do not change the position of the bath lift in the bathtub once it is set up.

**WARNING!****Risk of injury and damage!**

- Only set up the bath lift in bathtubs that comply with the specifications of the following table.
- If a lateral overflow is present in the bath tub, use the special side flaps (available as an accessory).

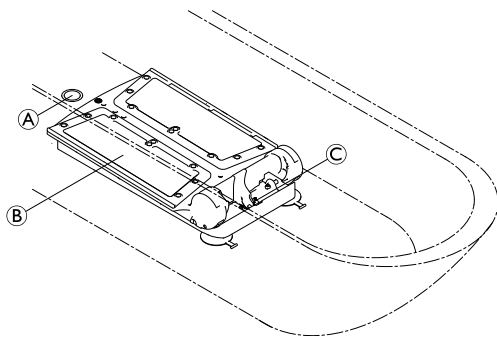


Ⓐ	Tub length, bottom	≥ 800 mm
Ⓑ	Tub width, bottom (inside)	min. 280 mm
Ⓒ	Tub width, at 80 mm height (inside)	≥ 430 mm

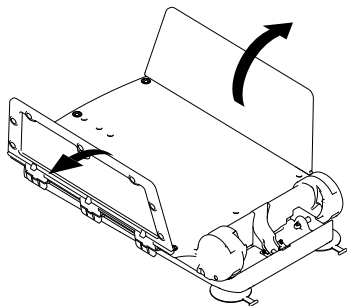
Ⓔ	Tub width (outside)	580 - 690 mm (with special side flaps) 700 - 740 mm (with standard side flaps) 750 - 1000 mm (with special side flaps)
Ⓕ	Tub height (inside)	≤ 420 mm (with height adapter, max. + 60 mm)

**IMPORTANT!**

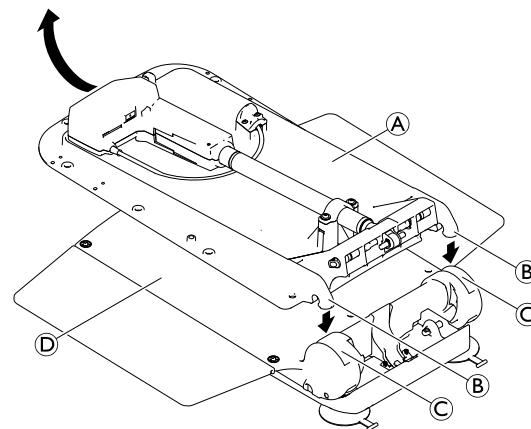
- Ensure that the suction cups are mounted.
- Ensure that the battery in the hand control is charged.
- Ensure that the spindle foot is fully inserted.
- When lifting bath lift components, remember to correctly assess the weights, see section 9.1 *Dimensions and weight, page 24*.
- If a handrail is mounted at the inside of the bathtub, use the side flap diverters (available as an accessory).
- Fold the side flaps outwards before raising the backrest.



1. Place the seat (B) on the bottom of the empty bathtub. Ensure that the spindle foot retainer (C) is pointing towards the end of the bathtub opposite the drain (A).



2. Fold the side flaps of the seat outwards.



3. Place the backrest (A) (without the hand control) onto the seat so that the hooks (B) of the backrest fit into the hinges (C) of the seat plate (D).

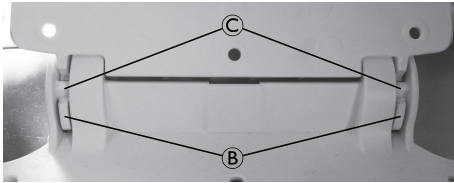


IMPORTANT!

Risk of damage

Damage to the product caused by the spindle foot slipping out.

- Ensure that the spindle foot is fully retracted, before folding up the backrest.
- Once the backrest is folded up, ensure that the spindle foot is in the spindle foot retainer.

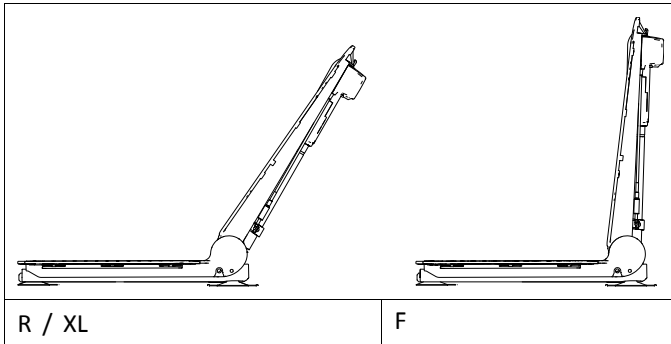


IMPORTANT!

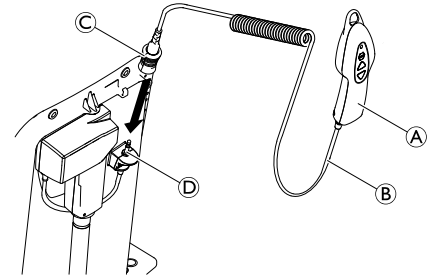
Risk of damage

Damage to the product due to incorrect assembly of the backrest.

- Make sure that both hooks **B** of the backrest engage into the hinges **C** of the seat plate.
- Make sure that the backrest is folded up to the end position without exerting force and noticeable resistance. The end position is indicated in the following graphic.



4. Hold the backrest at the center of the head end and carefully lift it into the end position.



5. Plug the jack socket with the unlocking sleeve **C** on the spiral cable **B** of the hand control **A** to the jack plug **D** until the locking mechanism engages noticeably.



IMPORTANT!

Risk of damage

- Make sure that the backrest doesn't touch the bath tub edge.
- Place the bath lift further forwards in the bath tub, if necessary.

3.4 Charging the battery

The bath lift cannot be used when the battery is charging.



WARNING!

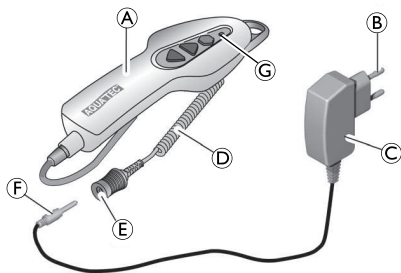
Risk of electric shock

- Only recharge the battery in dry rooms at room temperature (15 °C to 25 °C) and never in the bathroom.



IMPORTANT!

- Only use the charger supplied to charge the battery in the hand control.
- Only connect the charger to the mains supply when the hand control is connected to the charger.
- Make sure that the voltage specifications shown on the charger correspond to those of the mains supply.



1. Insert the jack plug ⑥ of the charger ③ into the jack socket ⑤ on the spiral cable ④ of the hand control ① until it engages.
2. Insert the mains plug ② of the charger into a power socket.



The red indicator lamp ⑦ on the hand control extinguishes when the battery is completely charged. It is not possible to „overcharge“ the battery.

3. Disconnect the charger from the power socket.
4. Pull the jack plug of the charger out of the jack socket of the hand control.

4 Usage

4.1 Safety information



CAUTION!

Overloading the bath lift can lead to damage to the device or prevent lifting.

- Do not overload the bath lift and observe the specifications on the identification label and in section 9.1 *Dimensions and weight*, page 24 with regard to its load capacity.



CAUTION!

Danger of pinching fingers

- Do not insert fingers into the guide between the seat plate and the backrest.
- Do not reach under the seat plate or between the lifting scissors.



IMPORTANT!

Moisture may penetrate into a damaged hand control, which could lead to a short circuit and fire.

- Always perform a visual inspection of the product for external damage before each use.
- If the housing of the hand control is damaged or shows cracks, do not use the hand control.
- Recharge the battery completely before each use, 3.4 *Charging the battery*, page 13.

1. Refer to operating conditions in section 9.4 *Environmental Parameters*, page 25.

4.2 Controlling the bath lift

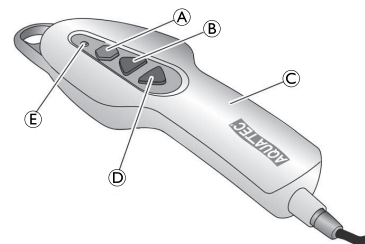
The bath lift can be moved in the following directions:



The bath lift is controlled via the hand control, either by the user or an assistant.



With a fully charged battery, the Aquatec® R and F can perform 5 bathing operations with a load of 140 kg. The XL can perform 4 bathing operations with a load of 170 kg.



IMPORTANT!

Risk of damage

- The hand control may only be used when the backrest is properly installed and in the upright position.

! **IMPORTANT!**

If the battery in the hand control © is not sufficiently charged, the red indicator lamp ⑤ lights up red when the Down button ④ is pressed. In this case, the lowering function of the bath lift is disabled. You can however still raise the lift.

- Recharge the battery immediately after raising it.

Raising the bath lift**!** **IMPORTANT!**

If the backrest is lowered, it will move into the upright position first (not on model F).

1. Press the Up button ② on the hand control and keep it pressed.
The backrest moves into the upright position or the seat moves upwards.
2. Release the Up button on the hand control.
The bath lift stops in the current position.

Lowering the bath lift**!** **IMPORTANT!**

If the seat is already lowered, the backrest lowers towards the rear (not on model F).

1. Press the Down button ④ on the hand control and keep it pressed.
The seat moves downwards or the backrest swivels to the rear.
2. Release the Down button on the hand control.
The bath lift stops in the current position.

Emergency off switch**!** **IMPORTANT!**

Only press the Emergency Off button ① if the device does not stop immediately when the Up or Down button is released (e.g. if a button jams). The bath lift stops moving immediately and the red light integrated in the hand control lights up.

If the red indicator light goes out after the emergency off button is released, the fault has been rectified (e.g. button is released again). The device is ready to use again.

If the red indicator light stays on after the emergency off button is released, the fault has not yet been rectified. The device is not ready for use and must be repaired, e.g. in the event of damage to the electronics.



Contact your specialist dealer, if necessary.

4.3 Bathing**WARNING!****Risk of slipping**

The bath lift can slip if the suction cups do not have a good hold.

- Before using the bath lift ensure that it is securely positioned and cannot tip over.
- Ensure that the bath lift is set up in the bathtub, → 3.3 *Setting up the bath lift*, page 10.

**WARNING!**


- If your condition means that you cannot take a bath on your own, only use the device with supervision.
- If operating the device without supervision, make sure to have an alarm system or telephone within reach in case of unforeseen events (e.g. malfunctions).


**CAUTION!**

- Bath oils or salts can impair the performance of the lifting scissors.
- If using such bath additives, do not exceed the recommended dose.

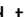
**IMPORTANT!**

- Run the unloaded lift once to the top and then back to the bottom (function test).
- Before using, check the temperature of the bath water.

1. Press and hold the Up button  until the seat is level with the edge of the bathtub.
2. Make sure that the side flaps are level with the seat and rest flat on the edge of the bathtub.
3. Fill the bath with water.
4. Sit on the side flap nearest to you as you would on a chair.
5. Slide backwards until you are sitting in the middle of the seat.
6. Turn yourself into the bathing position, by lifting one leg and then the other over the edge of the bathtub.

7. Once you are sitting correctly, press the Down button  and hold it down to lower the seat into the bathtub.




Once the seat has reached the lowest position, it is possible to recline the backrest by continuing to hold the Down button . This produces a more comfortable bathing position and allows you to immerse yourself deeper in the bath water (not on model F).

8. Keep the Down button pressed until the backrest has reached the desired position.



To get out of the bathtub, following these steps in reverse order.

9. To raise the backrest or the bath lift, press and hold the Up button  until the seat is at the same level with the bathtub edge.

**IMPORTANT!**

- Disconnect the hand control from the device when the bath lift is not in use, see section 5.2 *Removing the bath lift, page 18, step 3.*

5 Transport

5.1 Safety information



CAUTION!

The backrest is not locked on the seat when it is folded together and can come apart.

- Do not remove the suction cups when transporting the bath lift.
- Remove the hand control from the backrest for transport.
- Refer to the storage and shipping conditions in section 9.4 *Environmental Parameters*, page 25.

1. Remove the hand control.
2. Disassemble the bath lift into two sections for transport (seat and backrest), → 5.2 *Removing the bath lift*, page 18.

5.2 Removing the bath lift

1. Let the water out of the bathtub.
2. Lower the bath lift using the Down button until the backrest stops in the lowered end position, → 4.2 *Controlling the bath lift*, page 15.

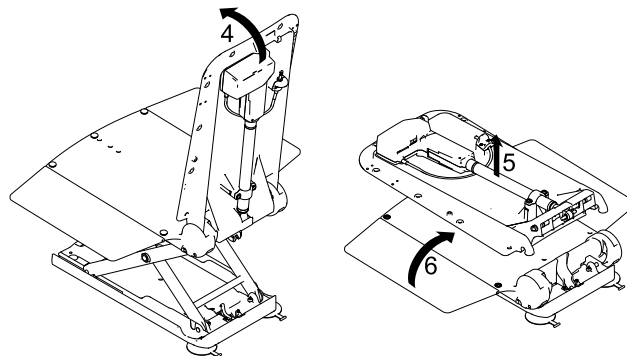
3. Unlock the jack socket on the spiral cable of the hand control by pushing up the unlocking sleeve and pull it off the jack plug.



IMPORTANT!

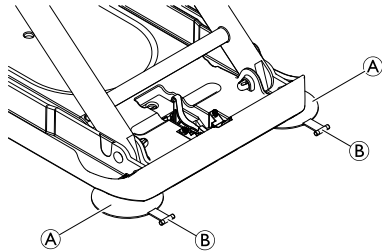
Risk of damage

- When folding the backrest down, ensure that spiral cable of the hand control does not become trapped.
- Do not fold the backrest down if there is water in the bathtub.



4. Hold the backrest at the head end with one hand and fold it forwards to the end position.
5. Pull the backrest up off the seat and out of the bathtub.

6. Fold the side flaps of the seat inwards.



IMPORTANT!

- Release both rear suction cups simultaneously.

7. Release the rear suction cup (A) by pulling up on its tab (B).
8. Lift the rear of the seat further. This releases the front suction cups.



IMPORTANT!

- If the height adapters have been installed (optional), you also have to pull the tabs of the front suction cups to release them.

9. Lift the seat out of the bathtub.
10. Carefully store all components of the bath lift.

6 Maintenance

6.1 Servicing and inspection

If the cleaning and safety notices are observed, the product will be maintenance-free.

! IMPORTANT!

The hand control may only be opened by the manufacturer of the bath lift.

1. Check the product regularly for damage and to ensure that it is securely assembled.
2. In the event of damage and/or necessary repairs, contact the dealer immediately.
3. The bath lift must be checked by an authorized dealer before every re-use. It is recommended to check the bath lift after 24 months at the latest (in accordance with EN ISO 10535).
4. If the bath lift is not used for a prolonged period, charge the battery completely and then raise and lower the bath lift 3 times without load. Repeat this process every 3 months. This helps to maintain the service life of the battery.

6.2 Cleaning and disinfection

The product can be cleaned and disinfected using commercially available agents.

1. Disinfect the product by wiping down all generally accessible surfaces with disinfectant (after disassembling the product, if possible).

! IMPORTANT!

All cleaning agents and disinfectants used must be effective, compatible with one another and must protect the materials they are used to clean.

- For further information on decontamination in Healthcare Environments, please refer to 'The National Institute for Clinical Excellence' guidelines on Infection Control www.nice.org.uk/CG139 and your local infection control policy.
- Clean the product regularly by hand.
- Do not use abrasive cleaning agents.

Cleaning the seat and backrest



CAUTION! **Danger of pinching fingers**

- Be especially careful when cleaning in the area of the lifting scissors, as they may move and cause injury.

! IMPORTANT! **Risk of damage**

- Never use a high-pressure cleaner to clean the backrest.

1. Wash the product using a cloth or a brush.
2. Rinse the product with warm water.
3. Dry the product with a cloth.
4. Lightly grease the guide for the sliding shoe (Fig. Chap. 3.2, ⊕) using Vaseline.

Cleaning the covers (optional)



It is recommended to wash the covers before first use. For hygienic reasons it is recommended to clean the covers regularly and exchange the covers yearly.

1. Unbutton the covers from the seat and backrest.
2. Wash the covers in a washing machine at max. 60 °C using a mild detergent.



IMPORTANT!

Risk of damage

- Washing at high temperatures can cause damage or shrinkage to the covers.
- Do not dry covers in the tumble dryer.

Cleaning the charger and hand control



WARNING!

Risk of electric shock

- Always disconnect the plug from the power socket before cleaning the charger.
- Never insert objects made of conductive material (e.g. knitting needles, metal pins) into the jack socket of the hand control.
- Never use a wet or damp cloth to clean the charger.

1. Wipe the charger with a dry cloth.
2. Wipe the hand control with a damp cloth and dry it with a dry cloth.

7 After Use

7.1 Storage



IMPORTANT! **Risk of damage**

- Do not store the product near heat sources.
- Do not expose the product to direct sunlight.
- Refer to the storage and shipping conditions in section 9.4 *Environmental Parameters*, page 25.

7.2 Re-use

The product is suitable for repeated use. The number of times it can be used depends on how often and in which way the product is used. Before reuse, clean and disinfect the product thoroughly (→ 6.2 *Cleaning and disinfection*, page 20) and check the safety functions, and reset if necessary.

7.3 Disposal

The disposal and recycling of used products and packaging must be conducted in accordance with the applicable local regulations.



WARNING!

- Never throw the hand control into a fire or store it near naked flames.

Duty to inform in accordance with German Battery Directive, BattG:

This product contains a rechargeable lithium-ion battery. Discharged batteries or those which can no longer be

recharged must not be disposed of in domestic waste. Old batteries may contain hazardous substances which could be a danger to the environment and public health.

Please return such batteries to your retailer or to your municipal collection point. Returning them is free of charge and is required by law.

Please only throw discharged batteries into the containers provided and mask the poles of lithium batteries.

8 Troubleshooting

8.1 Identifying and repairing faults



The following table provides information on malfunctions and their possible causes. If you cannot correct the malfunction using the remedies named, please contact your dealer directly.

Fault	Possible cause	Remedy
No motor noise audible/lift does not move.	Jack socket of the hand control is not locked correctly.	Lock the jack socket, → 3.3 <i>Setting up the bath lift, page 10.</i>
	Battery is flat.	Recharge the battery completely, → 3.4 <i>Charging the battery, page 13.</i>
	Contacts are dirty.	Clean the contacts, → contact your dealer, if necessary.
	Cable is crushed/damaged.	Replace the hand control, → contact your dealer, if necessary.
The lift can be raised but not lowered.	Low-voltage protection is activated.	Recharge the battery completely, → 3.4 <i>Charging the battery, page 13.</i>
The lift stops while being raised.	Excessive load.	Observe maximum load, → 9.1 <i>Dimensions and weight, page 24.</i>
The bath lift is not adhering securely to the bathtub.	Suction cups are old or damaged.	Replace the suction cups, → contact your dealer, if necessary.
Battery is not charging and the red indicator light flashes during charging	Faulty electronics.	Have your authorized dealer check the hand control.
	Faulty battery.	Replace the hand control.
	Faulty charger.	Have your authorized dealer check the charger.
	Battery is too hot.	Do not charge the hand control near heat sources, e.g. heating elements, in direct sunlight. Charging continues automatically once the temperature drops to within permissible limits.

9 Technical Data

9.1 Dimensions and weight

Total length at lowest position	920 mm
Total length at highest position	650 mm
Total height at highest position	1075 mm
Seat length	590 mm
Seat width with side flaps folded out	715 mm
Seat width with side flaps folded in	390 mm
Seat height at lowest position	60 mm
Seat height at highest position	420 mm
Backrest width	360 mm
Minimum angle of backrest	8°
Base plate width	295 mm
Max. load (R / F) Max. load (XL)	140 kg 170 kg
Total weight without hand control (R) (F) (XL)	10,8 kg 11,4 kg 11,6 kg
Seat weight (R) (F) (XL)	6,6 kg 7,2 kg 7,4 kg
Backrest weight	4,2 kg

Hand control weight	0,4 kg
Charger weight	0,1 kg

9.2 Electronic data

Activation force for the buttons of the hand control	< 5 N
Hand control operating voltage ¹⁾	10.8 V DC / 14 V DC
Rated input power ¹⁾	43 VA / 56 VA
Rated current	4 A
Battery type	Lithium-ion
Charger input	100 - 240 V AC, 50 - 60 Hz
Charger output	24 V DC, 135 mA, 3 VA
Charge time from low-voltage warning	approx. 4.5 h
Type of protection, drive	IP X6 W ²⁾
Type of protection, hand control	IP 67 ³⁾
Type of protection, entire device	IP X6 ⁴⁾
Sound power level	52 dB(A)

The actuator does not switch off when product is overloaded. Do not overload the bath lift to avoid damages.

1) 10,8 V DC / 43 VA valid when using hand controls with voltage 10.8 V, indicated on the back of the hand control.
 14 V DC / 56 VA valid when using hand controls with voltage 14 V, indicated on the back of the hand control.

2) Protected against the penetration of water in the event of strong jets of water, tested under stipulated weather conditions.


3) Dust-proof and protected against the penetration of water during temporary immersion.

4) Protected against the penetration of water in the event of strong jets of water.

Ambient temperature	0 - 40 °C
Relative humidity	30 % - 75 %, non-condensing
Atmospheric pressure	795 - 1060 hPa

9.3 Materials

Backrest	PPGF
Seatplate	PPGF
Covers	PVC

 All materials used are corrosion resistant and latex free.

9.4 Environmental Parameters

Operating conditions	
Ambient temperature	10 - 40 °C
Relative humidity	15 % - 93 %, non-condensing
Atmospheric pressure	795 - 1060 hPa
Storage and shipping conditions	

10 Electromagnetic compatibility (EMC)

10.1 General EMC information

Medical Electrical Equipment needs to be installed and used according to the EMC information in this manual.

This product has been tested and found to comply with EMC limits specified by IEC/EN 60601-1-2 for Class B equipment.

Portable and mobile RF communications equipment can affect the operation of this product.

Other devices may experience interference from even the low levels of electromagnetic emissions permitted by the above standard. To determine if the emission from this product is causing the interference, run and stop running this product. If the interference with the other device operation stops, then this product is causing the interference. In such rare cases, interference may be reduced or corrected by the following:

- Reposition, relocate, or increase the separation between the devices.

10.2 Electromagnetic emission

Guidance and manufacturer's declaration

This product is intended for use in the electromagnetic environment specified below. The customer or the user of this product should assure that it is used in such an environment.

Emissions test	Compliance	Electromagnetic environment - guidance
RF emissions CISPR 11	Group I	This product uses RF energy only for its internal function. Therefore, its RF emissions are very low and are not likely to cause any interference in nearby electronic equipment.
RF emissions CISPR 11	Class B	This product is suitable for use in all establishments including domestic establishments and those directly connected to the public low-voltage power supply network that supplies buildings used for domestic purposes.


Harmonic emissions IEC 61000-3-2	Class A	
Voltage fluctuations /flicker emissions IEC 61000-3-3	Complies	

10.3 Electromagnetic Immunity

Guidance and manufacturer's declaration

This product is intended for use in the electromagnetic environment specified below. The customer or the user of this product should assure that it is used in such an environment.

Immunity test	Test / Compliance level	Electromagnetic environment – guidance
Electrostatic discharge (ESD) IEC 61000-4-2	± 8kV contact ± 2 kV, ± 4 kV, ± 8 kV, 15 kV air	Floors should be wood, concrete or ceramic tile. If floors are covered with synthetic material, the relative humidity should be at least 30 %.
Electrostatic transient / burst IEC 61000-4-4	± 2 kV for power supply lines; 100 kHz repetition frequency ± 1 kV for input / output lines; 100 kHz repetition frequency	Mains power quality should be that of a typical commercial or hospital environment.
Surge IEC 61000-4-5	± 1 kV line to line ± 2 kV line to earth	Mains power quality should be that of a typical commercial or hospital environment.

Immunity test	Test / Compliance level	Electromagnetic environment – guidance
Voltage dips, short interruptions and voltage variations on power supply input lines IEC 61000-4-11	$< 0\% U_T$ for 0,5 cycle at 45° steps $0\% U_T$ for 1 cycles $70\% U_T$ for 25 / 30 cycles $< 5\% U_T$ for 250 / 300 cycles	<p>Mains power quality should be that of a typical commercial or hospital environment. If the user of this product requires continued operation during power mains interruptions, it is recommended that the product is powered from an un-interruptible power supply or a battery.</p> <p>U_T is the a. c. mains voltage prior to application of the test level.</p>
Power frequency (50/60 Hz) magnetic field IEC 61000-4-8	30 A/m	Power frequency magnetic fields should be at levels characteristic of a typical location in a typical commercial or hospital environment.
Conducted RF IEC 61000-4-6	$3 V$ $150 \text{ kHz to } 80 \text{ Mhz}$ $6 V$ in ISM & amateur radio bands	<p>Field strengths from fixed transmitters, such as base stations for radio (cellular/cordless) telephones and land mobile radios, amateur radio, AM and FM radio broadcast and TV broadcast cannot be predicted theoretically with accuracy. To assess the electromagnetic environment due to fixed RF transmitters, an electromagnetic site survey should be considered. If the measured field strength in the location in which this product is used exceeds the applicable RF compliance level above, this product should be observed to verify normal operation. If abnormal performance is observed, additional measures may be necessary, such as reorienting or relocating this product.</p> <p>Interference may occur in the vicinity of equipment marked with the following symbol: </p>

Immunity test	Test / Compliance level	Electromagnetic environment – guidance
Radiated RF IEC 61000-4-3	10 V/m 80 Mhz to 2,7 GHz 385 MHz - 5785 MHz test specifications for immunity to RF wireless communication equipment refer to table 9 of IEC 60601-1-2:2014	Portable and mobile RF communications equipment should be used no closer than 30 cm to any part of this product including cables.



These guidelines may not apply in all situations. Electromagnetic propagation is affected by absorption and reflection from structures, objects and people.

Sommaire

Ce manuel DOIT être remis à l'utilisateur du produit. Lire ce manuel AVANT d'utiliser ce produit, et le conserver en cas de besoin.

1 Généralités	32
1.1 Introduction	32
1.2 Symboles figurant dans ce manuel.	32
1.3 Garantie	33
1.4 Conformité	33
1.4.1 Normes spécifiques au produit.	33
1.5 Utilisation conforme	33
1.6 Durée de vie.	34
2 Sécurité	35
2.1 Informations de sécurité	35
2.2 Informations de sécurité relatives à la compatibilité électromagnétique	36
2.3 Étiquettes et symboles figurant sur le produit	37
3 Réglages (Mise en service)	39
3.1 Informations de sécurité	39
3.2 Contenu de la livraison	39
3.3 Montage de l'élévateur de bain	41
3.4 Recharge de la batterie	44
4 Utilisation	46
4.1 Informations sur la sécurité	46
4.2 Fonctionnement du siège élévateur de bain.	46
4.3 Prendre un bain	48
5 Transport	50
5.1 Informations sur la sécurité	50
5.2 Retrait du siège élévateur de bain	50
6 Maintenance	52
6.1 Maintenance et entretien	52

6.2 Nettoyage et désinfection	52
7 Après l'utilisation	54
7.1 Entreposage	54
7.2 Réutilisation	54
7.3 Mise au rebut	54
8 Dépannage	55
8.1 Identification et réparation des défaillances	55
9 Caractéristiques Techniques	57
9.1 Dimensions et poids	57
9.2 Données électroniques	57
9.3 Matériaux	58
9.4 Conditions ambiantes	58
10 Compatibilité électromagnétique (CEM)	59
10.1 Informations relatives aux interférences électromagnétiques.	59
10.2 Émissions électromagnétiques	59
10.3 Immunité électromagnétique	60

1 Généralités

1.1 Introduction

Le présent manuel d'utilisation contient des informations importantes sur la manipulation du produit. Pour garantir une utilisation en toute sécurité du produit, lisez attentivement le manuel d'utilisation et respectez les instructions de sécurité.

Veillez noter que certaines sections du présent manuel d'utilisation peuvent ne pas s'appliquer à votre produit, étant donné que le manuel concerne tous les modèles disponibles (à la date d'impression). Sauf mention contraire, chaque section de ce manuel se rapporte à tous les modèles du produit.

Les modèles et les configurations disponibles dans votre pays sont répertoriés dans le catalogue de tarifs spécifique au pays.

Invacare se réserve le droit de modifier les caractéristiques des produits sans préavis.

Avant de lire ce manuel, assurez-vous de disposer de la version la plus récente. Cette version est disponible au format PDF sur le site Internet d'Invacare.

Si la taille des caractères de la version imprimée du manuel d'utilisation vous semble trop difficile à lire, vous pouvez le télécharger au format PDF sur le site Internet. Vous pourrez alors ajuster la taille des caractères à l'écran pour améliorer votre confort visuel.

Pour obtenir plus d'informations sur le produit, comme les avis de sécurité ou les rappels du produit, contactez votre

représentant Invacare local. Reportez-vous aux adresses indiquées à la fin du présent document.

1.2 Symboles figurant dans ce manuel

Dans le présent manuel, les mises en garde sont signalées par des symboles. Ces symboles sont accompagnés d'un titre indiquant le niveau de danger.



AVERTISSEMENT

Indique une situation dangereuse qui, si elle n'est pas évitée, est susceptible de provoquer des blessures graves, voire mortelles.



ATTENTION

Indique une situation dangereuse qui, si elle n'est pas évitée, est susceptible de provoquer des blessures mineures ou légères.



IMPORTANT

Indique une situation dangereuse qui, si elle n'est pas évitée, est susceptible de provoquer des dommages matériels.



Conseils et recommandations

Donne des conseils, recommandations et informations utiles pour une utilisation efficace et sans souci.



Ce produit est conforme à la Directive 93/42/CEE sur les dispositifs médicaux. La date de lancement de ce produit est indiquée dans la déclaration de conformité CE.



Fabricant du produit.

1.3 Garantie

Nous fournissons une garantie fabricant pour le produit, conformément à nos conditions générales de vente en vigueur dans les différents pays. Les réclamations au titre de la garantie ne peuvent être adressées qu'au fournisseur auprès duquel l'appareil a été obtenu.

Les housses et les ventouses ne sont pas couvertes par la garantie.

1.4 Conformité

La qualité est un élément fondamental du fonctionnement de notre entreprise, qui travaille conformément à la norme ISO 13485.

Le présent produit porte le marquage CE, en conformité avec la Directive relative aux dispositifs médicaux 93/42/EEC Classe 1.

Nous nous efforçons en permanence de réduire au minimum notre impact sur l'environnement, à l'échelle locale et mondiale.

Nous n'utilisons que des matériaux et composants conformes au règlement REACH.

1574470-D

Nous respectons la législation en vigueur en matière d'environnement, notamment, les directives DEEE et RoHS.

1.4.1 Normes spécifiques au produit

Ce produit respecte les obligations de la norme ISO 10535 (Produits d'assistance pour personnes en situation de handicap).

Pour obtenir de plus amples informations, veuillez contacter Invacare dans votre pays (adresses figurant à la fin du présent document).

1.5 Utilisation conforme

Les élévateurs de bain facilitent l'entrée et la sortie de la baignoire. Ils sont exclusivement conçus pour faciliter le bain des personnes à mobilité réduite. Toute autre utilisation est interdite.

Indications

- Réduction significative de la fonction / fonctionnalités manquantes des membres supérieurs et/ou inférieurs (telles que : amputations, paralysie, troubles articulaires, troubles neuromusculaires présentant un handicap des membres), quand l'entrée et la sortie indépendantes de la baignoire qui nécessitent de s'asseoir et de se lever ne sont plus possibles ; le contrôle du tronc et la capacité fonctionnelle de base des membres doivent encore être suffisants.

- Les conséquences chroniques de la maladie présentant des limitations fonctionnelles des membres supérieurs et/ou inférieurs, qui ne permettent plus un bain indépendant, mais quand un bain largement indépendant est possible grâce l'utilisation de l'élévateur de bain et que d'autres aides au bain pour compenser le handicap ne sont pas suffisantes.

Contre-indications

Il n'existe aucune contre-indication associée à l'utilisation appropriée de ce produit.

1.6 Durée de vie

La durée de vie attendue de ce produit est de cinq ans lorsqu'il est utilisé quotidiennement et dans le respect des consignes de sécurité, des intervalles de maintenance et avec une utilisation correcte, comme indiqué dans le présent manuel. La durée de vie effective peut varier en fonction de la fréquence et de l'intensité de l'utilisation.

2 Sécurité

2.1 Informations de sécurité



AVERTISSEMENT !

- N'utilisez pas ce produit ni tout autre équipement disponible en option sans avoir lu et compris entièrement les présentes instructions et toute autre documentation d'instructions supplémentaire, telle que les manuels d'utilisation, les manuels d'entretien ou fiches d'instructions fournis avec ce produit ou l'équipement en option. Les manuels des produits Invacare sont disponibles sur Internet ou auprès de votre revendeur local (les adresses sont indiquées au dos du présent manuel).
- Si vous ne comprenez pas les avertissements, mises en garde ou instructions, veuillez contacter un professionnel des soins de santé, un revendeur ou un technicien avant d'essayer d'utiliser cet équipement, sous peine de dommages ou de blessures.



AVERTISSEMENT !

Risque de blessure

- N'utilisez pas le produit s'il est défectueux.
- En cas de dysfonctionnement, contactez immédiatement votre revendeur.
- Ne procédez à aucune modification non autorisée et ne transformez pas le produit.
- Utilisez uniquement les pièces de rechange conçues pour ce produit.



AVERTISSEMENT !

Risque de blessure

- Ne vous tenez jamais debout sur l'élévateur de bain pour rentrer dans la baignoire ou en sortir, ne l'utilisez pas pour monter ou descendre, ni comme plate-forme de levage ou tout autre usage similaire.



IMPORTANT !

- Les informations contenues dans ce document peuvent être modifiées sans préavis.
- Vérifiez l'absence de dommages dus au transport sur toutes les pièces et testez-les avant utilisation.

2.2 Informations de sécurité relatives à la compatibilité électromagnétique



AVERTISSEMENT !

Risque de dysfonctionnement dû aux interférences électromagnétiques

Des interférences électromagnétiques peuvent se produire entre ce produit et d'autres équipements électriques et affecter les fonctions de réglage électrique de ce produit. Pour prévenir, réduire ou éliminer ces interférences électromagnétiques :

- Veillez à utiliser uniquement des câbles, accessoires et pièces de rechange d'origine, afin de ne pas accroître les émissions électromagnétiques, ni réduire l'immunité électromagnétique de ce produit.
- N'utilisez aucun équipement de communication portable à fréquences radioélectriques (RF) à moins de 30 cm d'une partie quelconque de ce produit (câbles compris).
- N'utilisez pas ce produit à proximité d'un équipement chirurgical actif à haute fréquence, ni d'une salle d'imagerie à résonance magnétique avec blindage RF, où l'intensité des perturbations électromagnétiques est élevée.
- En cas de perturbations, augmentez la distance entre ce produit et l'autre équipement ou mettez ce dernier hors tension.
- Reportez-vous aux informations détaillées figurant au chapitre *10 Compatibilité électromagnétique (CEM)*, page 59 et suivez les recommandations.

**AVERTISSEMENT !****Risque de dysfonctionnement**

Des interférences électromagnétiques peuvent affecter le fonctionnement.

- Lorsque vous l'utilisez, ce produit ne doit pas être placé à côté ou sur un autre équipement électrique. Si cela est nécessaire, il est indispensable d'inspecter rigoureusement ce produit et l'autre équipement afin de vérifier qu'ils fonctionnent normalement.

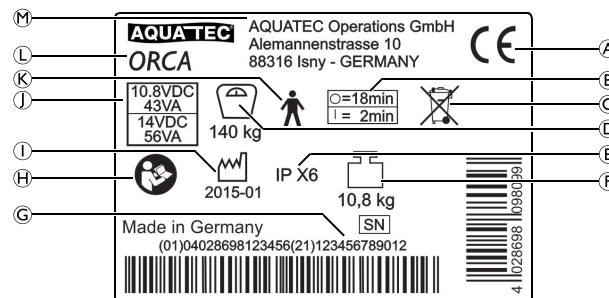


Nous n'avons connaissance d'aucun risque en cas d'utilisation de produits comme un stimulateur cardiaque.

2.3 Étiquettes et symboles figurant sur le produit

Autocollant d'identification

L'autocollant d'identification fournit des informations importantes :



(A)	Marque de conformité
(B)	Intervalle d'utilisation (le fonctionnement continu du moteur est interdit) : utilisation continue de 2 minutes maximum suivie par une interruption de 18 minutes
(C)	Remarque (élimination)
(D)	Poids maximal de l'utilisateur
(E)	Type de protection
(F)	Poids du produit
(G)	Numéro de série
(H)	Consultez le manuel d'utilisation
(I)	Date de production
(J)	Tension/puissance nominale, reportez-vous à 9.2 <i>Données électroniques, page 57</i>
(K)	Pièce appliquée de type B

Ⓛ	Désignation du produit
Ⓜ	Fabricant



L'autocollant d'identification se trouve à l'arrière du dossier.

3 Réglages (Mise en service)

3.1 Informations de sécurité



IMPORTANT !

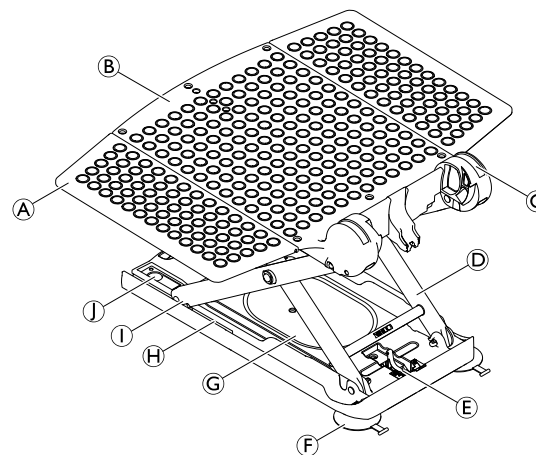
- Vérifiez les pièces afin de vous assurer de l'absence de dommages causés pendant le transport avant toute mise en service. En cas de dommages, contactez votre revendeur.
- Lors du montage, assurez-vous que les pièces sont correctement positionnées les unes par rapport aux autres.
- Il est conseillé de nettoyer les housses avant la première utilisation. Reportez-vous au chapitre 6.2 *Nettoyage et désinfection*, page 52.

3.2 Contenu de la livraison

Le présent manuel de l'utilisateur se rapporte aux modèles R, F et XL. Ces modèles diffèrent quant à leur poids et au poids maximal de l'utilisateur; voir la section 9.1 *Dimensions et poids*, page 57. Une housse pour le siège et le dossier est disponible en option pour chacun des trois modèles. Le dossier du modèle F ne se baisse pas.

Les composants suivants sont livrés avec le produit :

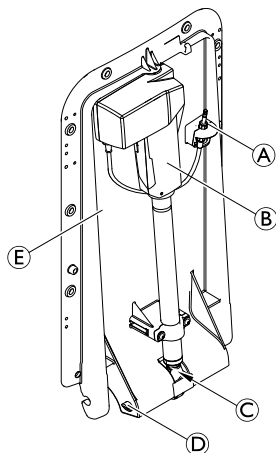
Siège



(A)	Rabat latéral
(B)	Plaque du siège
(C)	Charnière du dossier
(D)	Ciseau de levage
(E)	Logement du pied de l'arbre
(F)	Ventouses arrière (deux languettes avec filet de vis)
(G)	Plaque de base
(H)	Guide du patin

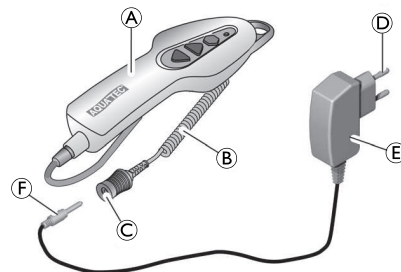
①	Patin
①	Ventouses avant (une languette avec tête)

Dossier



Ⓐ	Fiche
Ⓑ	Entraînement
Ⓒ	Pied de l'arbre
Ⓓ	Tige de blocage
Ⓔ	Plaque, dossier

Télécommande et chargeur



Ⓐ	Télécommande avec batterie
Ⓑ	Fiche d'alimentation
Ⓒ	Chargeur
Ⓓ	Câble en spirale de la télécommande
Ⓔ	Prise de la télécommande
Ⓕ	Fiche du chargeur

3.3 Montage de l'élévateur de bain



AVERTISSEMENT !

Risque de glissement

L'élévateur de bain risque de glisser si les ventouses sont mal fixées.

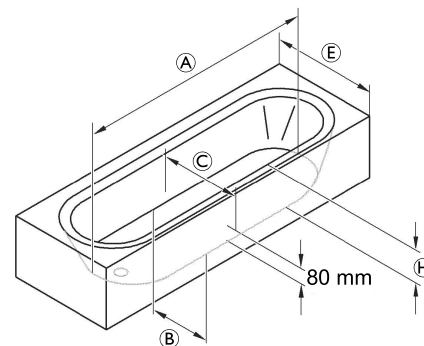
- Nettoyez la baignoire et les ventouses à l'aide d'un chiffon humide avant de mettre en place l'élévateur de bain.
- Ne modifiez pas la position de l'élévateur de bain dans la baignoire une fois l'installation terminée.



AVERTISSEMENT !

Risque de blessures ou de dommage matériel !

- Installez l'élévateur de bain uniquement dans des baignoires conformes aux spécifications du tableau suivant.
- Si un débordement latéral est présent dans la baignoire, utilisez les rabats latéraux spéciaux (disponibles en accessoire).

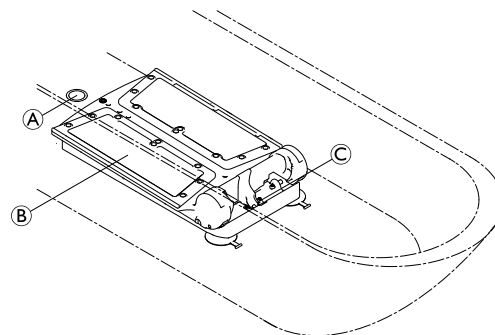


Ⓐ	Longueur de la baignoire, fond	≥ 800 mm
Ⓑ	Largeur de la baignoire, fond (intérieur)	≥ 280 mm
Ⓒ	Largeur de la baignoire, à 80 mm de haut (intérieur)	≥ 430 mm

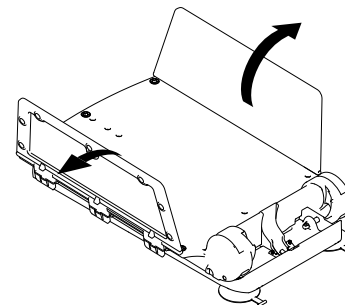
E	Largeur de la baignoire (externe)	580 - 690 mm (avec rabats latéraux spéciaux) 700 - 740 mm (avec rabats latéraux standard) 750 - 1 000 mm (avec rabats latéraux spéciaux)
H	Hauteur de la baignoire (intérieur)	≤ 420 mm (avec adaptateur de hauteur, + 60 mm maxi.)

! IMPORTANT !

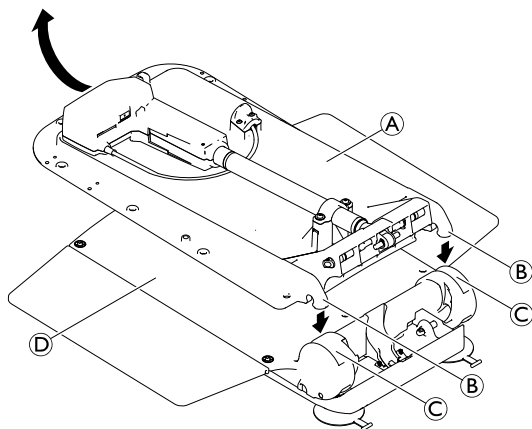
- Vérifiez si les ventouses sont installées correctement.
- Assurez-vous que la batterie de la télécommande est chargée.
- Assurez-vous que le pied de la tige est entièrement inséré.
- Lorsque vous soulevez les composants de l'élévateur de bain, n'oubliez pas d'évaluer correctement les poids, voir la section 9.1 *Dimensions et poids, page 57*.
- Si la baignoire est équipée de main courante interne, utilisez les écarteurs de rabats latéraux (disponibles en tant qu'accessoire).
- Pliez les rabats latéraux vers l'extérieur avant de rabattre le dossier.



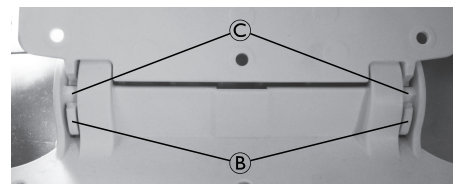
1. Placez l'assise B au fond de la baignoire vide. Assurez-vous que le mécanisme de retenue du pied de la tige C est dirigé vers l'extrémité de la baignoire opposée à la bonde A.



2. Pliez les rabats latéraux de l'assise vers l'extérieur.



3. Placez le dossier **A** (sans la télécommande) sur le siège afin que les crochets **B** du dossier s'adaptent sur les charnières **C** de la plaque d'assise **D**.



! **IMPORTANT !**

Risque de dommage matériel

Le produit peut être endommagé si le dossier n'est pas correctement monté.

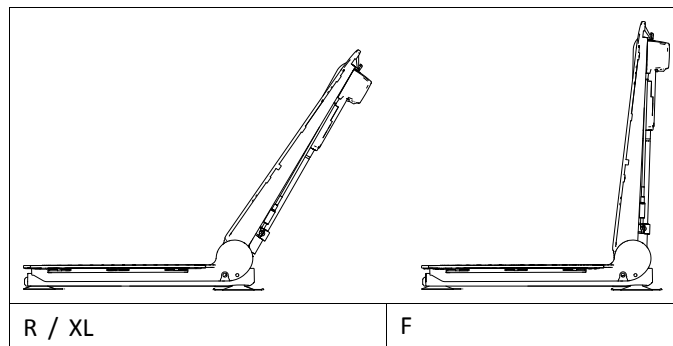
- Assurez-vous que les deux crochets **B** du dossier s'engagent dans les charnières **C** de la plaque d'assise.
- Vérifiez que le dossier est rabattu en position finale sans exercer de force et de résistance notable. La position finale est indiquée dans le schéma ci-après.

! **IMPORTANT !**

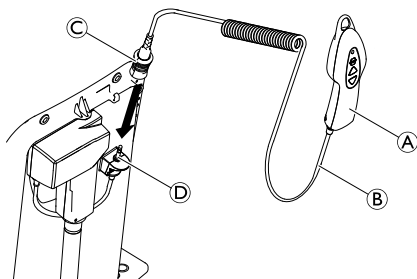
Risque de dommage matériel

Le produit peut être endommagé en cas de glissement du pied de la tige.

- Avant de rabattre le dossier, assurez-vous que la tige est entièrement rentrée et que le pied de la tige est de niveau et non tordu.
- Après avoir déplié le dossier, assurez-vous que le pied de la tige se trouve dans son logement.



- Maintenez le dossier au centre de l'extrémité côté tête et rabattez-le avec précaution en position finale.



- Branchez la prise jack avec le manchon de déverrouillage © du câble spiralé © de la télécommande © sur la fiche jack © jusqu'à ce que le mécanisme de blocage s'engage de manière évidente.



IMPORTANT !

Risque de dommage matériel

- Veillez à ce que le dossier ne soit pas en contact avec le bord de la baignoire.
- Si nécessaire, positionnez l'élévateur de bain plus vers l'avant de la baignoire. Pour faire avancer davantage l'élévateur de bain dans la baignoire, abaissez l'élévateur de bain jusqu'au fond, desserrez les ventouses et déplacez l'élévateur de bain.

3.4 Recharge de la batterie

Il n'est pas possible d'utiliser l'élévateur de bain pendant le chargement de la batterie.



AVERTISSEMENT !

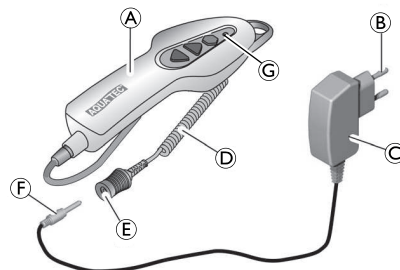
Risque de choc électrique

- Rechargez uniquement la batterie dans des pièces sèches à température ambiante (de 15 °C à 25 °C), jamais dans la salle de bain.



IMPORTANT !

- Ne chargez la batterie de la télécommande qu'avec le chargeur fournit avec la batterie.
- Ne branchez le chargeur sur le secteur que lorsque la télécommande est raccordée au chargeur.
- Vérifiez que les caractéristiques de tension affichées sur le chargeur correspondent à celles du secteur.



- Insérez la fiche jack © du chargeur © dans la prise jack © du câble spiralé © de la télécommande © jusqu'à ce qu'elle s'enclenche.
- Branchez la fiche secteur © du chargeur sur une prise électrique.



Le témoin lumineux rouge © de la télécommande s'éteint lorsque la batterie est complètement chargée. Il n'est pas possible de charger excessivement la batterie.

3. Débranchez le chargeur de la prise électrique.
4. Débranchez la fiche jack du chargeur de la prise jack située sur la télécommande.

4 Utilisation

4.1 Informations sur la sécurité



ATTENTION !

La surcharge de l'élévateur de bain peut endommager l'appareil ou empêcher le levage.

- Ne surchargez pas l'élévateur de bain et observez les caractéristiques techniques de l'étiquette d'identification et de la section 9.1 *Dimensions et poids, page 57*, relativement à la charge utile.



ATTENTION !

Risque de pincement pour les doigts

- Ne placez pas les doigts dans les rainures entre la plaque du siège et le dossier.



IMPORTANT !

De l'humidité peut pénétrer dans une télécommande endommagée, risquant d'entraîner un court-circuit et un incendie.

- Effectuez toujours une inspection visuelle du produit afin de détecter toute détérioration avant chaque usage.
- Si le boîtier de la télécommande est endommagé ou présente des fissures, n'utilisez pas celle-ci.
- Rechargez entièrement la batterie avant chaque utilisation, *3.4 Recharge de la batterie, page 44*.

1. Reportez-vous aux conditions de fonctionnement de la section 9.4 *Conditions ambiantes, page 58*.

4.2 Fonctionnement du siège élévateur de bain

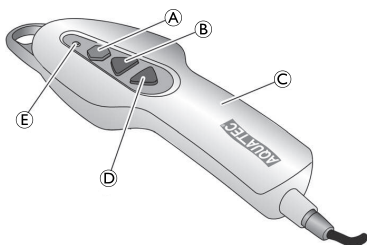
Le siège élévateur de bain peut être déplacé dans les directions suivantes :



Le siège élévateur de bain est activé au moyen de la télécommande par l'utilisateur ou un assistant.



Si la batterie est chargée à pleine capacité, les modèles R et F du siège Aquatec® permettent à une personne de 140 kg de prendre cinq bains. Le modèle XL permet à une personne de 170 kg de prendre quatre bains.



! IMPORTANT!

Risque de dommages

– La télécommande peut seulement être utilisée lorsque le dossier est installé adéquatement et qu'il est relevé.

! IMPORTANT!

Si la batterie de la télécommande © n'est pas suffisamment chargée, le voyant rouge ⑤ s'allume lorsque le bouton d'abaissement ④ est enfoncé. Dans ce cas, la fonction d'abaissement du siège est désactivée. Toutefois, il est toujours possible de faire monter le siège élévateur.

– Rechargez immédiatement la batterie après avoir fait monter le siège.

Élévation du siège élévateur de bain

! IMPORTANT!

Si le dossier est abaissé, il se relèvera d'abord en position verticale (pas avec le modèle F).

1. Appuyez sur le bouton de montée ② de la télécommande et maintenez-le enfoncé. Le dossier se relève en position verticale ou le siège monte.
2. Relâchez le bouton de montée de la télécommande. Le siège élévateur de bain s'immobilise à sa position actuelle.

Abaissement du siège élévateur de bain

! IMPORTANT!

Si le siège est déjà abaissé, le dossier s'incline vers l'arrière (pas avec le modèle F).

1. Appuyez sur le bouton d'abaissement ④ de la télécommande et maintenez-le enfoncé. Le siège s'abaisse ou le dossier s'incline vers l'arrière.
2. Relâchez le bouton d'abaissement de la télécommande. Le siège élévateur de bain s'immobilise à sa position actuelle.

Commutateur d'arrêt d'urgence



IMPORTANT!

Appuyez seulement sur le commutateur d'arrêt d'urgence (A) si l'appareil ne s'immobilise pas immédiatement après le relâchement du bouton de montée ou d'abaissement (p. ex. si un bouton est coincé). Le siège élévateur de bain s'immobilise immédiatement et le voyant rouge de la télécommande s'allume.

Si le voyant rouge s'éteint après que le commutateur d'urgence est relâché, le problème est résolu (p. ex. le bouton n'est plus coincé). L'appareil peut alors être utilisé de nouveau.

Si le voyant rouge demeure allumé après que le commutateur d'urgence est relâché, le problème n'est pas résolu. L'appareil ne peut pas être utilisé et doit être réparé. Les composants électroniques présentent peut-être une défaillance.



Au besoin, communiquez avec votre détaillant spécialisé.

4.3 Prendre un bain



AVERTISSEMENT !

Risque de glissade

Le siège élévateur de bain peut glisser si les ventouses n'ont pas une bonne prise.

- Avant d'utiliser le siège élévateur de bain, assurez-vous qu'il est bien positionné et ne peut pas basculer.
- Assurez-vous que le siège élévateur de bain est en place dans la baignoire, → 3.3 Montage de l'élévateur de bain, page 41.



AVERTISSEMENT !

- Si votre état de santé ne vous permet pas de prendre un bain par vous-même, n'utilisez l'appareil que sous supervision.
- Si vous utilisez l'appareil sans supervision, assurez-vous qu'un avertisseur ou un téléphone se trouve à portée de main en cas d'imprévu (p. ex., en cas de mal fonctionnement).



MISE EN GARDE !

Les huiles ou les sels de bain peuvent nuire au fonctionnement du ciseau de levage.

- Si vous utilisez ces additifs de bain, ne dépassez pas la dose recommandée.

! **IMPORTANT!**

- Faites fonctionner le siège élévateur déchargé jusqu'à son élévation maximale, puis jusqu'à son abaissement maximal (test de fonctionnement).
- Avant l'utilisation, vérifiez la température de l'eau du bain.

1. Maintenez enfoncé le bouton Up **Ⓑ** jusqu'à ce que le siège soit au niveau du bord de la baignoire.
2. Assurez-vous que les rabats latéraux sont au niveau du siège et qu'ils reposent à plat sur le rebord de la baignoire.
3. Remplissez la baignoire d'eau.
4. Asseyez-vous sur le rabat latéral le plus proche de vous, comme vous le feriez sur une chaise.
5. Glissez vers l'arrière jusqu'à ce que vous soyez assis au milieu du siège.
6. Tournez-vous dans la position que vous aurez pour prendre votre bain, en soulevant une jambe, puis l'autre, sur le bord de la baignoire.
7. Une fois que vous êtes assis correctement, appuyez sur le bouton Down **Ⓒ** et maintenez-le enfoncé pour abaisser le siège dans la baignoire.

i Une fois que le siège a atteint sa position la plus basse, il est possible d'incliner le dossier en continuant à maintenir le bouton Down **Ⓒ** enfoncé. Cela vous permet d'avoir une position plus confortable et de vous immerger plus profondément dans l'eau du bain (cette option n'est pas disponible sur le modèle F).

8. Gardez le bouton Down enfoncé jusqu'à ce que le dossier ait atteint la position désirée.

i Pour sortir de la baignoire, effectuez ces étapes dans l'ordre inverse.

9. Pour élever le dossier ou le siège élévateur de bain, appuyez sur le bouton Up **Ⓑ** et gardez-le enfoncé jusqu'à ce que le dossier ait atteint la position désirée.

! **IMPORTANT!**

- Débranchez la télécommande de l'appareil lorsque le siège élévateur de bain n'est pas en cours d'utilisation, voir la section 5.2 *Retrait du siège élévateur de bain*, page 50, étape 3.

5 Transport

5.1 Informations sur la sécurité



ATTENTION !

Le dossier n'est pas bloqué sur le siège lorsqu'il est plié et il peut se séparer.

- Ne retirez pas les ventouses lorsque vous transportez l'élévateur de bain.
- Retirez la télécommande du dossier pour le transport.
- Se reporter aux conditions de stockage et de transport figurant dans la section 9.4 *Conditions ambiantes*, page 58.

1. Retirez la télécommande.
2. Démontez l'élévateur de bain en deux parties pour le transport (siège et dossier). Reportez-vous à la section 5.2 *Retrait du siège élévateur de bain*, page 50.

5.2 Retrait du siège élévateur de bain

1. Évacuez l'eau du bain.
2. Abaissez le siège élévateur de bain en appuyant sur le bouton d'abaissement jusqu'à ce que le dossier ait atteint la position la plus basse, → 4.2 *Fonctionnement du siège élévateur de bain*, page 46.

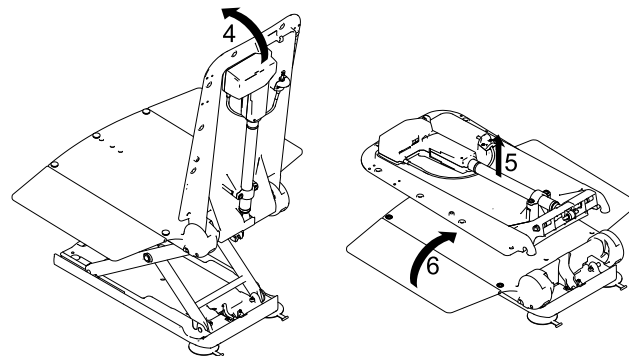
3. Déverrouillez la prise femelle du câble en spirale de la télécommande en poussant la douille de déverrouillage vers le haut, puis retirez-la de la fiche.



IMPORTANT!

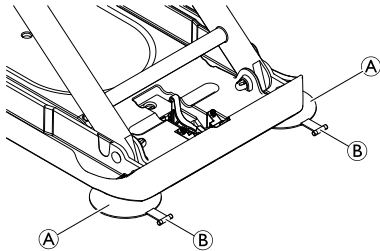
Risque de dommages

- Au moment de rabattre le dossier, assurez-vous que le câble en spirale de la télécommande ne se coince pas.
- Ne rabattez pas le dossier s'il y a de l'eau dans le bain.



4. Tenez le haut du dossier avec une main et rabattez-le complètement vers l'avant.
5. Séparez le dossier du siège en le soulevant et retirez-le du bain.

6. Repliez les rabats latéraux vers l'intérieur.



IMPORTANT!

- Relâchez les deux ventouses arrière en même temps.

7. Relâchez la ventouse arrière (A) en tirant sur sa languette (B).
8. Soulevez l'arrière du siège un peu plus. Cela aura pour effet de relâcher les ventouses avant.



IMPORTANT!

- Si les adaptateurs de taille ont été installés (en option), il faut également tirer sur les onglets des ventouses avant pour les relâcher.

9. Sortez le siège du bain.
10. Rangez avec précaution tous les composants du siège élévateur de bain.

6 Maintenance

6.1 Maintenance et entretien

Si vous observez les instructions de nettoyage et les consignes de sécurité fournies, aucune intervention de maintenance ne sera nécessaire sur le matériel.

! IMPORTANT !

La télécommande ne peut être ouverte que par le fabricant de l'élévateur de bain.

1. Vérifiez régulièrement le produit afin de vous assurer qu'il n'est pas endommagé et qu'il est monté correctement.
2. En cas de détérioration ou de réparation éventuellement nécessaire, contactez immédiatement votre fournisseur.
3. Un fournisseur agréé doit vérifier l'élévateur de bain avant chaque réutilisation. Nous recommandons de vérifier l'élévateur de bain après 24 mois au plus tard (conformément à la norme En ISO 10535).
4. Si l'élévateur de bain n'est pas utilisé pendant une longue durée, chargez complètement la batterie puis levez et abaissez l'élévateur trois fois sans charge. Répétez l'opération tous les 3 mois. Ceci permet de préserver la durée de vie de la batterie.

6.2 Nettoyage et désinfection

Ce produit peut être nettoyé et désinfecté au moyen de produits disponibles dans le commerce.

1. Désinfectez le produit en essuyant toutes les surfaces généralement accessibles avec un désinfectant (le cas échéant, après son démontage).

! IMPORTANT !

Tous les désinfectants et agents de nettoyage utilisés doivent être efficaces, compatibles entre eux et protéger les surfaces qu'ils sont censés nettoyer.

- Pour de plus amples informations sur la décontamination dans des environnements médicaux, veuillez vous reporter aux directives du National Institute for Clinical Excellence relatives à la prévention des infections www.nice.org.uk/CG139 et à votre réglementation locale de prévention des infections.
- Nettoyez régulièrement le produit à la main.
- N'utilisez pas de produits nettoyants abrasifs.

Nettoyage de l'assise et du dossier



ATTENTION !

Danger de pincement des doigts


- Soyez spécialement prudent lorsque vous nettoyez la zone des ciseaux de levage, car ils risquent de bouger et de provoquer des blessures.

! IMPORTANT !

Risque de dommage matériel

- N'utilisez jamais de nettoyeur à haute pression pour nettoyer le dossier.

1. Lavez le produit avec un chiffon ou une brosse.
2. Rincez le produit à l'eau chaude.

3. Essuyez le produit avec un chiffon.
4. Enduisez la glissière du patin (figure de la section 3.2, ) d'un peu de vaseline.

Nettoyage des housses (facultatif)



Il est conseillé de nettoyer les housses avant la première utilisation. Par mesure d'hygiène, nous vous recommandons de nettoyer les housses régulièrement et de les changer tous les ans.

1. Débouchez les housses de siège et la toile de dossier.
2. Lavez les housses en machine à laver à une température maximale de 60 °C et avec un détergent doux.



IMPORTANT !

Risque de dommage matériel

- Le lavage à des températures élevées peut endommager les housses ou provoquer leur rétrécissement.
- Ne séchez pas les housses dans un sèche-linge.

Nettoyage du chargeur et de la télécommande



AVERTISSEMENT !

Risque de choc électrique

- Débranchez toujours la fiche de la prise électrique avant de nettoyer le chargeur.
- N'insérez jamais d'objets réalisés en matériau conducteur (par ex. aiguilles à tricoter, fiches métalliques) dans la prise jack de la télécommande.
- N'utilisez jamais de chiffon humide ou trempé pour nettoyer le chargeur.

7 Après l'utilisation

7.1 Entreposage



IMPORTANT!

Risque de dommages

- N'entreposez pas le produit à proximité de sources de chaleur.
- N'exposez pas le produit à la lumière solaire directe.
- Consultez les conditions d'entreposage et d'expédition à la section 9.4 *Conditions ambiantes*, page 58.

7.2 Réutilisation

Ce produit peut être réutilisé. Le nombre de réutilisations dépend de la fréquence et du mode d'utilisation du produit. Avant de le réutiliser, il doit subir une préparation hygiénique (→ 6.2 *Nettoyage et désinfection*, page 52) et être vérifié afin de s'assurer qu'il peut être employé de façon sûre. Procédez aux réparations éventuellement nécessaires.

7.3 Mise au rebut

Éliminez et recyclez les produits usagés et leur emballage conformément à la réglementation en vigueur.



AVERTISSEMENT !

- Ne jetez jamais la télécommande au feu et ne la placez pas près d'une flamme nue.

Ce produit contient une batterie aux ions de lithium rechargeable. Les batteries déchargées ou celles ne pouvant plus être rechargées ne doivent pas être jetées avec les rebuts ménagers. Les piles usées peuvent contenir des substances dangereuses qui peuvent être dangereuses pour l'environnement et la santé publique.

Veillez les retourner à votre revendeur ou à votre point de collecte municipal. Le retour est gratuit et obligatoire.

Les batteries déchargées ne doivent être jetées que dans des conteneurs fournis à cet effet ; n'oubliez pas de masquer les pôles des batteries lithium.

Obligation d'information conformément à la réglementation allemande BattG :

8 Dépannage

8.1 Identification et réparation des défaillances



Le tableau suivant fournit des informations sur les dysfonctionnements et leurs causes possibles. Si vous ne pouvez pas corriger le dysfonctionnement au moyen des recours cités, communiquez directement avec votre revendeur.

Défectuosité	Cause possible	Recours
Pas de bruit audible du moteur/le siège élévateur ne bouge pas.	La prise de la télécommande n'est pas verrouillée correctement.	Verrouillez la prise, → 3.3 <i>Montage de l'élévateur de bain, page 41.</i>
	La batterie est à plat.	Rechargez la batterie complètement, → 3.4 <i>Recharge de la batterie, page 44.</i>
	Les contacts sont sales.	Nettoyez la fiche sur le dossier, → communiquez avec votre détaillant, au besoin.
	Le câble est écrasé/endommagé.	Remplacez la télécommande, → communiquez avec votre détaillant, au besoin.
Le siège élévateur peut être élevé, mais pas abaissé.	Le système de protection basse tension est enclenché.	Rechargez la batterie complètement, → 3.4 <i>Recharge de la batterie, page 44.</i>
Le siège élévateur s'arrête en cours d'élévation.	Charge excessive.	Respectez la charge maximale, → 9.1 <i>Dimensions et poids, page 57.</i>
Le siège élévateur de bain n'adhère pas solidement à la baignoire.	Les ventouses sont vieilles ou endommagées.	Remplacez les ventouses, → communiquez avec votre détaillant, au besoin.
La batterie ne se charge pas et le voyant rouge clignote pendant la charge.	Composants électroniques défectueux.	Demandez à votre détaillant autorisé de vérifier la télécommande.
	Batterie défectueuse.	Remplacez la télécommande.

Défectuosité	Cause possible	Recours
	Chargeur défectueux.	Demandez à votre détaillant autorisé de vérifier le chargeur.
	La batterie chauffe trop.	Ne chargez pas la télécommande à proximité de sources de chaleur, p. ex., des éléments de chauffage, en plein soleil. La charge se poursuit automatiquement une fois que la température revient dans les limites admissibles.

9 Caractéristiques Techniques

9.1 Dimensions et poids

Longueur totale à la position la plus basse	920 mm
Longueur totale à la position la plus haute	650 mm
Hauteur totale à la position la plus haute	1075 mm
Longueur du siège	590 mm
Largeur du siège, rabats latéraux déployés	715 mm
Largeur du siège, rabats latéraux repliés	390 mm
Hauteur du siège à la position la plus basse	60 mm
Hauteur du siège à la position la plus haute	420 mm
Largeur du dossier	360 mm
Angle minimum du dossier	8°
Largeur de la plaque de base	295 mm
Charge maximale (R / F) Charge maximale (XL)	140 kg 170 kg
Poids total sans télécommande (R) (F) (XL)	10,8 kg 11,4 kg 11,6 kg
Poids du siège (R) (F) (XL)	6,6 kg 7,2 kg 7,4 kg
Poids du dossier	4,2 kg

Poids de la télécommande	0,4 kg
Poids du chargeur	0,1 kg

9.2 Données électroniques

Force d'activation des boutons de la télécommande	< 5 N
Tension de fonctionnement de la télécommande ¹⁾	10,8 V cc / 14 V cc
Puissance d'entrée nominale ¹⁾	43 VA / 56 VA
Courant nominal	4 A
Type de batterie	ions lithium
Tension d'entrée du chargeur	100 - 240 V ca, 50 - 60 Hz
Tension de sortie du chargeur	24 V cc, 135 mA, 3 VA
Temps de charge à partir de l'avertissement de tension faible	environ 4,5 h
Type de protection, entraînement	IP X6 W ²⁾
Type de protection, télécommande	IP 67 ³⁾
Type de protection, produit entier	IP X6 ⁴⁾
Niveau sonore	52 dB(A)

Le vérin ne s'arrête pas en cas de surcharge. Ne surchargez pas l'élévateur de bain pour éviter d'endommager l'appareil.

1) 10,8 V cc / 43 VA valide lorsque vous utilisez les télécommandes à une tension de 10,8 V, indiquée à l'arrière de la télécommande.

14 V cc / 56 VA valide lorsque vous utilisez les télécommandes à une tension de 14 V, indiquée à l'arrière de la télécommande.

2) Protégé contre la pénétration d'eau en cas de jets d'eau puissants, testé dans les conditions météorologiques établies.

3) Protection contre la poussière et contre l'infiltration d'eau en cas d'immersion temporaire.

4) Protégé contre l'infiltration d'eau en cas de jets d'eau importants.

9.3 Matériaux

Dossier	PPGF
Plaque d'assise	PPGF
Revêtement	PVC



Tous les matériaux sont résistants à la corrosion et exempts de latex.

9.4 Conditions ambiantes

Conditions de fonctionnement	
Température ambiante	10 à 40 °C
Humidité relative	15 % à 93 % sans condensation
Pression atmosphérique	795 à 1060 hPa

Conditions d'entreposage et d'expédition	
Température ambiante	0 à 40 °C
Humidité relative	30 % à 75 % sans condensation
Pression atmosphérique	795 à 1060 hPa

10 Compatibilité électromagnétique (CEM)

10.1 Informations relatives aux interférences électromagnétiques

L'équipement médical électrique doit être installé et utilisé conformément aux informations relatives aux interférences magnétiques présentes dans ce manuel.

Ce produit a été testé et est certifié conforme aux limites CEM spécifiées dans la norme CEI/EN 60601-1-2 pour les équipements de classe B.

Les appareils de communication RF portables et mobiles peuvent interférer avec le fonctionnement de ce produit.

D'autres appareils peuvent recevoir des interférences même des plus bas niveaux des émissions électromagnétiques autorisées par la norme ci-dessus. Pour déterminer si l'émission de ce produit est à l'origine d'une interférence, mettez ce produit sous puis hors tension. Si l'interférence avec le fonctionnement des autres appareils disparaît, cela signifie que ce produit provoque l'interférence. Dans ces cas rares, l'interférence peut être réduite ou corrigée de l'une des façons suivantes :

- Repositionnez le dispositif, changez-le de place ou augmentez la distance de séparation entre les appareils.

10.2 Émissions électromagnétiques

Directives et déclaration du fabricant

Ce produit est destiné à être utilisé dans l'environnement électromagnétique décrit ci-dessous. L'utilisateur ou l'acheteur de ce produit doivent s'assurer que le lit est bien utilisé dans un tel environnement.

Test relatif aux émissions	Conformité	Directives relatives à l'environnement électromagnétique
Émissions RF CISPR 11	Groupe I	Ce produit utilise l'énergie RF uniquement pour son fonctionnement interne. Il émet donc des ondes RF très faibles et il est peu probable qu'elles interfèrent avec l'équipement électronique à proximité.
Émissions RF CISPR 11	Classe B	Ce produit peut être utilisé dans tous les établissements, y compris les habitations et les établissements directement connectés au réseau d'alimentation public basse tension qui alimente les bâtiments destinés à accueillir des habitations.

Émissions de courant harmonique CEI 61000-3-2	Classe A	
Fluctuations de tension/émissions de scintillement CEI 61000-3-3	Conforme	


10.3 Immunité électromagnétique

Directives et déclaration du fabricant

Ce produit est destiné à être utilisé dans l'environnement électromagnétique décrit ci-dessous. L'utilisateur ou l'acheteur de ce produit doivent s'assurer que le lit est bien utilisé dans un tel environnement.

Test d'immunité	Test/Niveau de conformité	Directives relatives à l'environnement électromagnétique
Décharges électrostatiques CEI 61000-4-2	± 8 kV par contact ± 2 kV, ± 4 kV, ± 8 kV, 15 kV dans l'air	Le revêtement de sol doit être du bois, du béton ou des carreaux de céramique. Si le sol est recouvert d'un matériau synthétique, l'humidité relative doit être d'au moins 30 %.
Transitoires électriques rapides en salves CEI 61000-4-4	± 2 kV pour les lignes d'alimentation électriques ; 100 kHz en fréquence de répétition ± 1 kV pour les lignes d'entrée et de sortie ; 100 kHz en fréquence de répétition	La qualité du réseau électrique doit être la même que celle du réseau électrique d'un hôpital ou d'un établissement commercial.

Test d'immunité	Test/Niveau de conformité	Directives relatives à l'environnement électromagnétique
Ondes de choc CEI 61000-4-5	± 1 kV de ligne à ligne ± 2 kV de la ligne à la terre	La qualité du réseau électrique doit être la même que celle du réseau électrique d'un hôpital ou d'un établissement commercial.
Creux de tension, coupures brèves et variations de tension sur les lignes d'alimentation électrique CEI 61000-4-11	< 0 % U_T pour 0,5 cycle par incréments de 45° 0 % U_T pour 1 cycle 70 % U_T pour 25/30 cycles < 5 % U_T pour 250/300 cycles	La qualité du réseau électrique doit être la même que celle du réseau électrique d'un hôpital ou d'un établissement commercial. S'il est nécessaire que ce produit continue à fonctionner pendant une coupure de courant, il est recommandé de le brancher sur un système d'alimentation sans coupure ou sur une batterie. U_T représente la tension d'alimentation secteur avant l'application du niveau de test.
Champ magnétique à la fréquence du réseau (50/60 Hz) CEI 61000-4-8	30 A/m	Les champs magnétiques de fréquence industrielle doivent avoir les mêmes caractéristiques que ceux présents dans un hôpital ou un établissement commercial.

Test d'immunité	Test/Niveau de conformité	Directives relatives à l'environnement électromagnétique
<p>Perturbations conduites, induites par les champs radioélectriques</p> <p>CEI 61000-4-6</p>	<p>3 V 150 kHz à 80 Mhz</p> <p>6 V en bandes ISM et radioamateur</p>	<p>Il n'est pas possible de prévoir avec précision l'intensité de champ des émetteurs fixes des stations de base des téléphones sans fil/cellulaires ou radios mobiles terrestres, des radios amateurs, et des télédiffusions ou radiodiffusions AM et FM. Afin d'évaluer l'environnement électromagnétique résultant des appareils émetteurs RF fixes, il est nécessaire d'effectuer une étude sur site. Si l'intensité de champ mesurée à l'endroit où le produit est utilisé est supérieure au niveau de conformité applicable aux émissions RF ci-dessus, il sera nécessaire d'observer si ce produit fonctionne normalement. En cas de fonctionnement anormal, il conviendra de prendre d'autres mesures, par exemple déplacer ou réorienter ce produit.</p> <p>Des interférences peuvent se produire à proximité des appareils comportant le symbole suivant : </p>
<p>Champs électromagnétiques rayonnés aux fréquences radioélectriques</p> <p>CEI 61000-4-3</p>	<p>10 V/m 80 Mhz à 2,7 GHz</p> <p>385 MHz - 5 785 MHz spécifications des tests d'immunité aux équipements de communication RF sans fil, reportez-vous au tableau 9 de la norme CEI 60601-1-2:2014</p>	<p>Les équipements de communication RF portables et mobiles doivent être utilisés à une distance minimale de 30 cm de toute partie de ce produit, y compris les câbles.</p>



Ces consignes peuvent ne pas s'appliquer dans certaines situations. La propagation électromagnétique varie selon les propriétés d'absorption et de réflexion des structures, des objets et des personnes.

Contenido

Este manual DEBE ser entregado al usuario final. ANTES de usar este producto lea este manual y guárdelo para futuras referencias.

1 Generalidades	66
1.1 Introducción	66
1.2 Símbolos en este manual.	66
1.3 Garantía	67
1.4 Cumplimiento	67
1.4.1 Normas específicas del producto	67
1.5 Uso previsto	67
1.6 Vida útil	68
2 Seguridad.	69
2.1 Información sobre seguridad	69
2.2 Información de seguridad sobre compatibilidad electromagnética	70
2.3 Etiquetas y símbolos en el producto	70
3 Instalación	72
3.1 Información sobre seguridad	72
3.2 Alcance de la entrega	72
3.3 Ajuste del elevador de bañera.	73
3.4 Carga de la batería	76
4 Utilización	78
4.1 Información de seguridad	78
4.2 Control del elevador de bañera	78
4.3 Baño.	80
5 Transporte	82
5.1 Información de seguridad	82
5.2 Desmontaje del elevador de bañera.	82
6 Mantenimiento	84
6.1 Mantenimiento y servicio	84
6.2 Limpieza y desinfección	84
7 Después del uso.	86
7.1 Almacenamiento	86
7.2 Reutilización	86
7.3 Eliminación	86
8 Solución de problemas.	87
8.1 Identificación y reparación de fallos.	87
9 Datos Técnicos	89
9.1 Dimensiones y peso	89
9.2 Datos electrónicos.	89
9.3 Materiales.	90
9.4 Parámetros ambientales	90
10 Compatibilidad electromagnética (EMC)	91
10.1 Información general sobre EMC.	91
10.2 Emisiones electromagnéticas	91
10.3 Inmunidad electromagnética	92

1 Generalidades

1.1 Introducción

Este manual del usuario contiene información importante sobre el manejo del producto. Para garantizar la seguridad cuando utilice el producto, lea detenidamente el manual del usuario y siga las instrucciones de seguridad.

Tenga en cuenta que puede haber secciones de este manual del usuario que no sean relevantes para su producto, ya que este manual se aplica a todos los modelos disponibles (en la fecha de impresión). Si no se indica lo contrario, cada sección de este manual hace referencia a todos los modelos del producto.

Los modelos y las configuraciones disponibles en su país pueden encontrarse en las listas de precios específicas del país.

Invacare se reserva el derecho de modificar las especificaciones del producto sin previo aviso.

Antes de leer este manual, asegúrese de contar con la versión más reciente. Podrá encontrarla en formato PDF en el sitio web de Invacare.

Si la versión impresa del manual del usuario tiene un tamaño de letra que le resulta difícil de leer, podrá descargarlo en formato PDF en el sitio web. Podrá ampliar el PDF en pantalla a un tamaño de letra que le resulte más cómodo.

Para obtener más información sobre el producto, por ejemplo, avisos de seguridad sobre el producto y retiradas del producto, póngase en contacto con su representante

de Invacare. Consulte las direcciones al final de este documento.

1.2 Símbolos en este manual

En este manual, las advertencias están indicadas con símbolos. A los símbolos de las advertencias se les añade un encabezado que indica la gravedad del peligro.



ADVERTENCIA

Indica una situación peligrosa que, si no se evita, podría tener como consecuencia la muerte o lesiones graves.



PRECAUCIÓN

Indica una situación peligrosa que, si no se evita, podría tener como consecuencia lesiones menos graves.



IMPORTANTE

Indica una situación peligrosa que, si no se evita, podría tener como consecuencia daños a la propiedad.



Consejos y recomendaciones

Proporciona consejos útiles, recomendaciones e información para un uso eficiente y sin problemas.



Este producto cumple con la Directiva 93/42/CEE en lo concerniente a productos sanitarios. La fecha de lanzamiento de este producto figura en la declaración de conformidad CE.



Fabricante del producto.

1.3 Garantía

Ofrecemos la garantía del fabricante del producto conforme a nuestras Condiciones generales y Condiciones comerciales en los distintos países. Las reclamaciones relativas a la garantía solo pueden efectuarse a través del proveedor en el que se adquirió el aparato.

Las fundas y las ventosas no están incluidas en esta garantía.

1.4 Cumplimiento

La calidad es fundamental para el funcionamiento de la empresa, que trabaja conforme a las normativas ISO 13485.

Este producto lleva la marca CE correspondiente, en cumplimiento con la Directiva sobre dispositivos médicos 93/42/CEE Clase 1.

Trabajamos continuamente para garantizar que se reduzca al mínimo el impacto medioambiental de la empresa, tanto a nivel local como global.

Solo utilizamos materiales y componentes que cumplen con las directivas REACH.

Cumplimos con las leyes medioambientales actuales RAEE y RoHS.

1.4.1 Normas específicas del producto

El producto cumple con los requisitos de la norma ISO 10535 (Grúas para el traslado de personas con discapacidad).

Para obtener más información, póngase en contacto con Invacare en su país (las direcciones de contacto se incluyen al final de este documento).

1.5 Uso previsto

Los elevadores de bañera facilitan la entrada y la salida de la bañera. Están pensados solamente como ayuda en el baño para personas con movilidad reducida. Se prohíbe cualquier otro uso.

Indicaciones

- Reducción significativa de la funcionalidad o falta de funcionalidad en las extremidades superiores o inferiores (amputaciones, parálisis, trastornos articulares, trastornos neuromusculares con deficiencias en las extremidades) en casos en los que la persona no puede entrar y salir de la bañera o sentarse y levantarse por sí misma. Debe haber un control suficiente del tronco y de la funcionalidad básica de las extremidades.
- Consecuencias crónicas de una enfermedad con limitaciones funcionales de las extremidades superiores o inferiores que no permiten un baño independiente, pero sí un baño suficientemente independiente con la ayuda de un elevador de bañera en los casos en los que no es suficiente el uso de otras ayudas para compensar la discapacidad.

Contraindicaciones

No existen contraindicaciones asociadas con el uso adecuado del producto.

1.6 Vida útil

La vida útil prevista para este producto es de cinco años, siempre y cuando se utilice diariamente y de conformidad con las instrucciones de seguridad, se respeten los intervalos de mantenimiento y se utilice correctamente según lo establecido en este manual. La vida útil real puede variar en función de la frecuencia y la intensidad del uso.

2 Seguridad

2.1 Información sobre seguridad

**¡ADVERTENCIA!**

- No utilice este producto ni cualquier otro equipo opcional disponible sin antes haber leído y comprendido estas instrucciones y cualquier otro material informativo adicional, como manuales del usuario, manuales de servicio u hojas de instrucciones, proporcionados con este producto o equipo opcional. Los manuales de productos de Invacare se encuentran disponibles en Internet o a través de su distribuidor local (la información de contacto se incluye en la contraportada de este manual).
- Si tiene alguna duda relacionada con las advertencias, precauciones o instrucciones, póngase en contacto con un profesional sanitario, su distribuidor o un técnico antes de intentar utilizar este equipo. De lo contrario, existe el riesgo de producirse lesiones o daños.

**¡ADVERTENCIA!****Riesgo de lesiones**

- No utilice el producto si es defectuoso.
- En caso de producirse un fallo de funcionamiento, póngase en contacto con un distribuidor inmediatamente.
- No realice ningún cambio o modificación del producto sin autorización.
- Utilice únicamente recambios diseñados para este producto.

**¡ADVERTENCIA!****Riesgo de lesiones**

- No se suba sobre el elevador de bañera para entrar o salir de la misma y no lo use para subir o bajar, como plataforma de elevación ni con ningún propósito similar.

**¡IMPORTANTE**

- La información incluida en este documento está sujeta a cambios sin previo aviso.
- Compruebe que todas las piezas le hayan sido entregadas en perfecto estado y pruébelas antes de usarlas.

2.2 Información de seguridad sobre compatibilidad electromagnética



¡ADVERTENCIA!

Riesgo de mal funcionamiento debido a interferencias electromagnéticas

Las interferencias electromagnéticas entre este producto y otros equipos eléctricos pueden interferir con las funciones de ajuste eléctrico de este producto. Para evitar, reducir o eliminar dichas interferencias electromagnéticas:

- Utilice únicamente cables, accesorios y recambios originales, no aumente la emisión electromagnética ni reduzca la inmunidad electromagnética de este producto.
- No utilice equipos de comunicaciones por radiofrecuencia (RF) portátiles a menos de 30 cm de cualquiera de las piezas de este producto (incluidos los cables).
- No utilice este producto cerca de un equipo quirúrgico de alta frecuencia que esté activo ni de una sala blindada contra señales de radiofrecuencia para la realización de resonancias magnéticas, donde la intensidad de las interferencias electromagnéticas es elevada.
- Si se producen interferencias, aumente la distancia entre este producto y el otro equipo o apáguelo.
- Consulte la información detallada y siga las indicaciones del capítulo *10 Compatibilidad electromagnética (EMC)*, página 91.



¡ADVERTENCIA!

Riesgo de funcionamiento incorrecto

Las interferencias electromagnéticas pueden afectar al funcionamiento.

- No utilice este producto cerca de otros equipos eléctricos ni encima de ellos. Si no es posible separarlos, debe observarlos detenidamente para asegurarse de que funcionan normalmente.

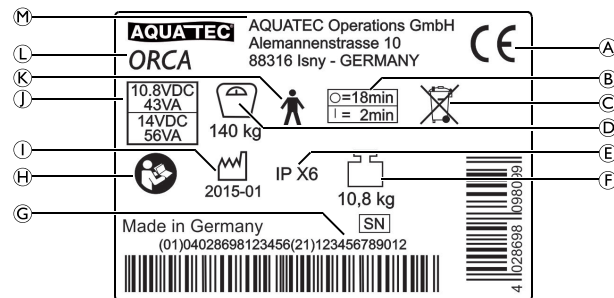


No tenemos constancia de ningún riesgo al utilizar productos como un marcapasos.

2.3 Etiquetas y símbolos en el producto

Etiqueta de identificación

La etiqueta de identificación incluye información importante:



Ⓐ	Marca de conformidad
Ⓑ	Intervalo de uso (no se permite el funcionamiento continuo del motor): máx. 2 minutos de uso continuo, seguido de una pausa de 18 minutos
Ⓒ	Nota (eliminación)
Ⓓ	Peso máximo de usuario
Ⓔ	Tipo de protección
Ⓕ	Peso del producto
Ⓖ	Número de serie
Ⓗ	Lea el manual del usuario
Ⓘ	Fecha de fabricación
Ⓝ	Tensión nominal/potencia nominal, consulte 9.2 <i>Datos electrónicos, página 89</i>
Ⓚ	Pieza aplicada de Tipo B
Ⓛ	Nombre del producto
Ⓜ	Fabricante



La etiqueta de identificación se coloca en la parte trasera del respaldo.

3 Instalación

3.1 Información sobre seguridad



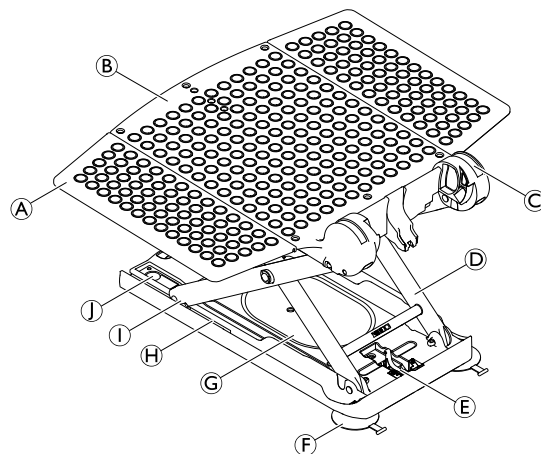
IMPORTANTE

- Compruebe que los componentes no se han dañado durante el transporte antes de ponerlos en funcionamiento; póngase en contacto con el distribuidor si es necesario.
- Durante el montaje, compruebe que las piezas estén correctamente colocadas unas con respecto a las otras.
- Se recomienda lavar las fundas antes de usarlas por primera vez, consulte el capítulo 6.2 *Limpieza y desinfección, página 84.*

3.2 Alcance de la entrega

En este manual del usuario se hace referencia a los modelos R, F y XL. Estos modelos difieren en cuanto al peso del producto y al peso máximo del usuario; consulte la sección 9.1 *Dimensiones y peso, página 89.* Hay una funda para el asiento y el respaldo disponible de manera opcional para los tres modelos. El modelo F no permite bajar el respaldo. Los siguientes componentes están incluidos dentro del alcance de la entrega:

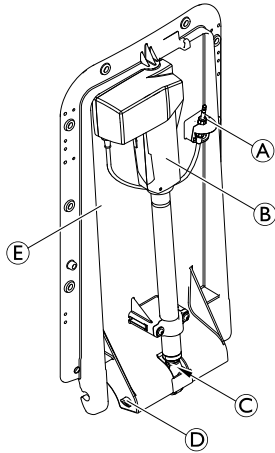
Asiento



(A)	Solapa lateral
(B)	Base de asiento
(C)	Bisagra para el respaldo
(D)	Mecanismo de elevación tipo tijera
(E)	Retén de pie del husillo
(F)	Ventosas traseras (con dos lengüetas con rosca)
(G)	Placa base
(H)	Guía para el patín de deslizamiento

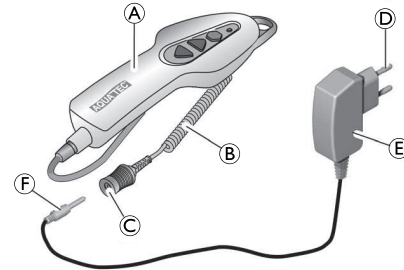
①	Patín de deslizamiento
①	Ventosas delanteras (con una lengüeta con cabezal)

Respaldo



(A)	Clavija jack
(B)	Actuador
(C)	Pie del husillo
(D)	Pasador de bloqueo
(E)	Placa del respaldo

Mando y cargador



(A)	Mando con batería
(B)	Clavija de la red eléctrica
(C)	Cargador
(D)	Cable espiral del mando
(E)	Jack hembra del mando
(F)	Clavija jack del cargador

3.3 Ajuste del elevador de bañera



**¡ADVERTENCIA!
Riesgo de deslizamiento**

El elevador de bañera puede deslizarse si las ventosas no tienen un buen agarre.

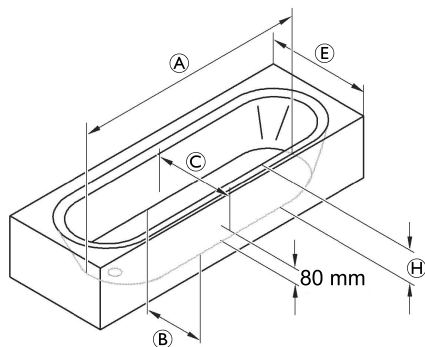
- Limpie la bañera y las ventosas con un paño húmedo antes de ajustar el elevador de bañera.
- Una vez ajustado, no cambie la posición del elevador de bañera dentro de la misma.



¡ADVERTENCIA!

Riesgo de lesiones y daños

- Coloque el elevador de bañera solamente en bañeras que cumplan con las especificaciones de la tabla a continuación.
- Si se produce un desbordamiento lateral en la bañera, utilice las solapas laterales especiales (disponibles como accesorio).



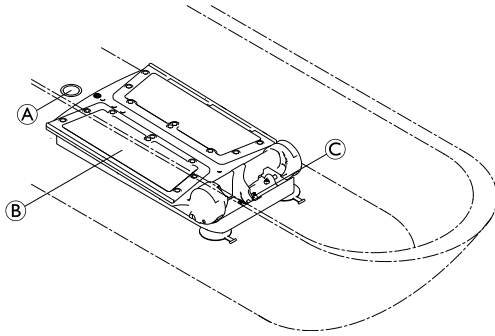
Ⓐ	Longitud de la bañera, fondo	≥ 800 mm
Ⓑ	Anchura de la bañera, fondo (interior)	≥ 280 mm

Ⓒ	Anchura de la bañera, a 80 mm de altura (interior)	≥ 430 mm
Ⓔ	Anchura de la bañera (exterior)	580 - 690 mm (con solapas laterales especiales) 700 - 740 mm (con solapas laterales estándar) 750 - 1000 mm (con solapas laterales especiales)
Ⓕ	Altura de la bañera (interior)	≤ 420 mm (con adaptador de altura, máx. + 60 mm)

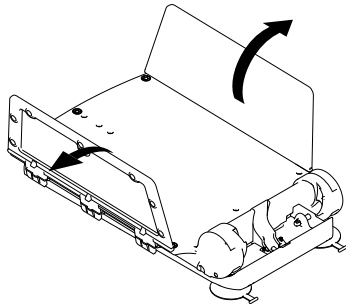


IMPORTANTE

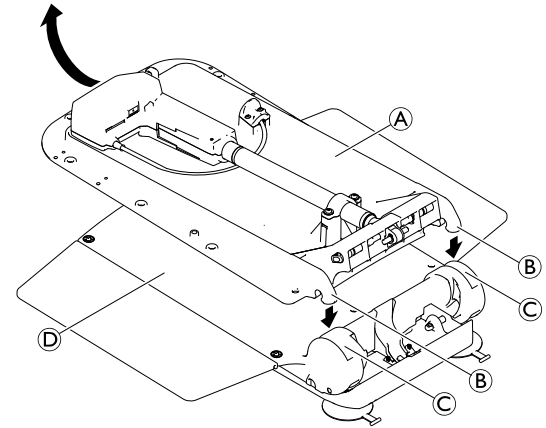
- Asegúrese de que las ventosas estén colocadas correctamente.
- Asegúrese de que la batería del mando esté cargada.
- Asegúrese de que el pie del husillo esté completamente insertado.
- Al levantar los componentes del elevador de bañera, estudie bien los pesos, consulte la sección 9.1 Dimensiones y peso, página 89.
- Si la bañera cuenta con una barandilla montada en el interior, utilice los separadores de las solapas laterales (disponibles como accesorio).
- Las solapas laterales se deben abatir hacia fuera antes de abatir el respaldo.



1. Coloque el asiento **B** sobre el fondo de la bañera vacía. Asegúrese de que el alojamiento del pie del husillo **C** esté orientado hacia el extremo de la bañera situado en el lado opuesto del desagüe **A**.



2. Abata las solapas laterales del asiento hacia fuera.



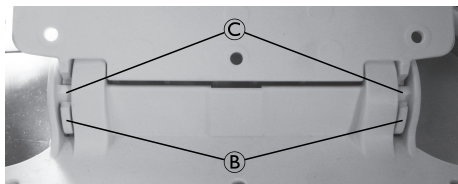
3. Coloque el respaldo **A** (sin el mando) sobre el asiento de tal manera que los ganchos **B** del respaldo encajen en las bisagras **C** de la placa del asiento **D**.



IMPORTANTE
Riesgo de daños

El producto se puede dañar a causa de un desplazamiento hacia fuera del pie del husillo.

- Antes de abatir el respaldo, compruebe que el husillo se encuentre completamente retraído y que el pie del husillo está nivelado y no torcido.
- Una vez que se haya abatido el respaldo, compruebe que el pie del husillo se encuentre dentro de su alojamiento.

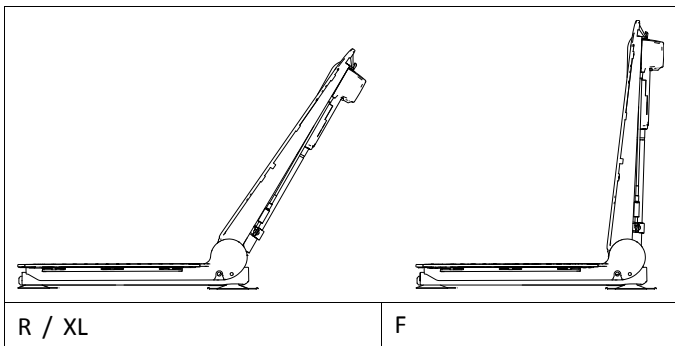


IMPORTANTE

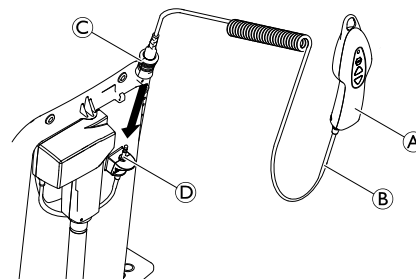
Riesgo de daños

Daños en el producto por un montaje incorrecto del respaldo.

- Asegúrese de que los dos ganchos **B** del respaldo encajan en las bisagras **C** de la placa del asiento.
- Asegúrese de el respaldo se abate hasta la posición final sin ejercer fuerza ni resistencia notable. La posición final se indica en el siguiente gráfico.



4. Agarre el respaldo por el centro del extremo superior y abátalo con cuidado hasta alcanzar la posición final.



5. Encaje el jack hembra con el manguito de desbloqueo **C** del cable espiral **B** del mando **A** en la clavija jack **D** hasta que el bloqueo se acople perceptiblemente.



IMPORTANTE

Riesgo de daños

- Asegúrese de que el respaldo no toca el borde de la bañera.
- Si es necesario, ponga el elevador más hacia delante en la bañera. Para colocar el elevador de bañera más hacia delante en la bañera, baje el elevador hasta el fondo, afloje las ventosas y, a continuación, mueva el elevador de bañera.

3.4 Carga de la batería

El elevador de bañera no debe usarse cuando la batería se está cargando.



¡ADVERTENCIA!

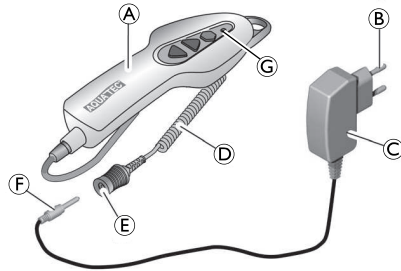
Riesgo de descarga eléctrica

- Recargue la batería únicamente en entornos secos a temperatura ambiente (de 15 °C a 25 °C) y bajo ningún concepto en el cuarto de baño.



IMPORTANTE

- Utilice únicamente el cargador suministrado para cargar la batería en el mando.
- Enchufe el cargador únicamente a la corriente eléctrica cuando el mando ya esté conectado al cargador.
- Asegúrese de que la especificación de tensión del cargador coincida con la tensión de la corriente eléctrica.



1. Enchufe la clavija jack (F) del cargador (C) en el jack hembra (E) del cable espiral (D) del mando (A) hasta que encaje.
2. Inserte el enchufe de red (B) del cargador en una toma de corriente.



El indicador luminoso rojo (G) del mando se apaga en cuanto la batería está completamente cargada. No es posible "sobrecargar" la batería.

3. Desconecte el cargador de la toma de corriente.
4. Extraiga la clavija jack del cargador del jack hembra del mando.

4 Utilización

4.1 Información de seguridad



¡PRECAUCIÓN!

Si sobrecarga el aparato elevador de bañera, puede provocar daños en el dispositivo o evitar que se eleve.

- No sobrecargue el aparato elevador de bañera y tenga en cuenta las especificaciones de la placa de identificación y los datos técnicos de la sección 9.1 *Dimensiones y peso, página 89* en relación con la capacidad de carga.



¡PRECAUCIÓN!

Peligro de atraparse los dedos

- No introduzca los dedos en la guía que se encuentra entre la placa del asiento y el respaldo.



¡IMPORTANTE

La humedad puede penetrar en un mando defectuoso y dar lugar a un cortocircuito e incendio.

- Antes de utilizar el producto, realice siempre una inspección visual del mismo para detectar posibles daños externos.
- Si la carcasa del mando está dañada o muestra fisuras, no utilice el mando.
- Recargue completamente la batería antes de cada uso, 3.4 *Carga de la batería, página 76*.

1. Consulte las condiciones de funcionamiento en la sección 9.4 *Parámetros ambientales, página 90*.

4.2 Control del elevador de bañera

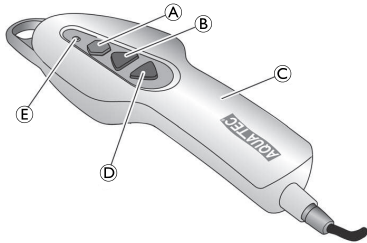
El elevador de bañera puede desplazarse en las siguientes direcciones:



El usuario o un asistente controlan el elevador de bañera a través del mando.



Si la batería está completamente cargada, los modelos Aquatec® R y F permiten realizar 5 operaciones de baño con una carga de 140 kg (309 lb). El modelo XL permite realizar 4 operaciones de baño con una carga de 170 kg (375 lb).



! **IMPORTANTE**
Riesgo de daños

– El mando debe utilizarse solo cuando el respaldo esté correctamente instalado y en posición vertical.

! **IMPORTANTE**

Si la batería del mando © so está suficientemente cargada, el indicador luminoso rojo ⑤ se encenderá cuando se presione el botón de descenso ④. Si esto sucede, la función de descenso del elevador de bañera queda deshabilitada. Sin embargo, aún es posible elevarlo.

– Cargue la batería de inmediato tras realizar la elevación.

Elevación del elevador de bañera

! **IMPORTANTE**

Si el respaldo está en la posición más baja, se desplazará a la posición vertical en primer lugar (no en el modelo F).

1. Mantenga presionado el botón de ascenso ② del mando. El respaldo se desplaza hasta la posición vertical o el asiento se desplaza hacia arriba.
2. Suelte el botón de ascenso del mando. El elevador de bañera se detiene en la posición en la que está.

Descenso del elevador de bañera

! **IMPORTANTE**

Si el asiento ya se ha descendido, el asiento se baja hacia atrás (no en el modelo F).

1. Mantenga presionado el botón de descenso ④ del mando. El asiento se desplaza hacia abajo o el respaldo se desplaza hacia atrás.
2. Suelte el botón de descenso del mando. El elevador de bañera se detiene en la posición en la que está.

Interruptor de parada de emergencia

! **IMPORTANTE**

Presione el botón de parada de emergencia ① solamente si el dispositivo no se detiene de inmediato cuando se suelta el botón de ascenso o el de descenso (por ejemplo, si se atasca un botón). El elevador de bañera deja de desplazarse al instante y la luz roja integrada en el mando se enciende.

Si la luz indicadora roja se apaga después de haber soltado el botón de parada de emergencia, la falla se corrigió (por

ejemplo, si se vuelve a soltar el botón). Se puede volver a utilizar el dispositivo.

Si la luz indicadora roja permanece encendida después de haber soltado el botón de parada de emergencia, la falla no se corrigió. El dispositivo no puede volver a utilizarse y debe repararse (por ejemplo, en el caso de que se haya dañado algún componente electrónico).



Si es necesario, póngase en contacto con un distribuidor experto.

4.3 Baño



¡ADVERTENCIA!

Riesgo de que el equipo se resbale

El elevador de bañera puede resbalarse si las ventosas no están bien adheridas.

- Antes de usar el elevador de bañera, asegúrese de que esté firme y no pueda resbalarse.
- Asegúrese de que el elevador de bañera esté montado en la bañera, → 3.3 Ajuste del elevador de bañera, página 73.



¡ADVERTENCIA!

- Si su estado no le permite bañarse de manera autónoma, báñese únicamente bajo la vigilancia de otra persona.
- Si utiliza el dispositivo sin supervisión, asegúrese de tener a su alcance un teléfono o sistema de alarma en caso de que ocurra un acontecimiento inesperado (p. ej., una falla).



¡PRECAUCIÓN!


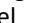
Los aceites o las sales para baño pueden perjudicar el funcionamiento del mecanismo de elevación tipo tijera.



- Si utiliza aditivos para baño de este tipo, no supere la dosificación recomendada.




¡IMPORTANTE


- Suba y baje el asiento sin carga (prueba de funcionamiento).
- Antes de usar el elevador, compruebe la temperatura del agua en la bañera.

1. Mantenga presionado el botón de ascenso  hasta que el asiento quede en el mismo nivel del borde de la bañera.
2. Asegúrese de que las solapas laterales estén el mismo nivel que el asiento y queden sobre el borde de la bañera.
3. Llene la bañera de agua.
4. Siéntese sobre la solapa lateral más cercana a usted como si se sentara sobre una silla.
5. Deslícese hacia atrás hasta estar sentado en la mitad del asiento.
6. Gire y adopte la posición de baño; para ello, pase primero una pierna y luego la otra por encima del borde de la bañera.
7. Una vez que esté correctamente sentado, mantenga presionado el botón de descenso  para bajar el asiento al interior de la bañera.

 Una vez que el asiento alcance la posición más baja, puede mantener presionado el botón de descenso  para inclinar hacia atrás el respaldo. De esta manera, disfrutará de una posición de baño más cómoda y podrá sumergirse más en el agua (no en el modelo F).

8. Mantenga presionado el botón de descenso hasta que el respaldo alcance la posición deseada.

 Para salir de la bañera, realice los pasos enumerados, pero en orden inverso.

9. Si desea elevar el respaldo o el elevador de bañera, mantenga presionado el botón de ascenso  hasta que alcance la posición deseada.



IMPORTANTE

- Desconecte el mando del dispositivo cuando no utilice el elevador de bañera; consulte la sección 5.2 *Desmontaje del elevador de bañera*, página 82, paso 3.

5 Transporte

5.1 Información de seguridad



¡PRECAUCIÓN!

Cuando el respaldo está abatido, no se encuentra bloqueado y es posible que se desprenda.

- No extraiga las ventosas mientras transporte el aparato elevador de bañera.
- Extraiga el mando manual del respaldo durante el transporte.
- Consulte las condiciones de envío y almacenamiento en la sección 9.4 *Parámetros ambientales*, página 90.

1. Extraiga el mando manual.
2. Desmonte el aparato elevador de bañera en dos partes para efectuar el transporte (asiento y respaldo). Para obtener más información sobre cómo efectuar el desmontaje, consulte la sección 5.2 *Desmontaje del elevador de bañera*, página 82.

5.2 Desmontaje del elevador de bañera

1. Vacíe el agua de la bañera.
2. Presione el botón de descenso para bajar el elevador de bañera hasta que el respaldo se detenga en la posición final más baja. 4.2 *Control del elevador de bañera*, página 78.

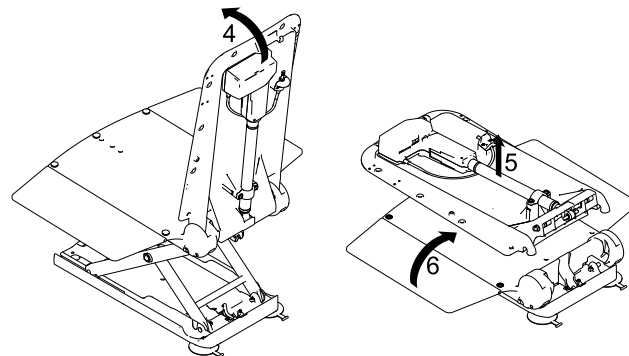
3. Desconecte el jack hembra del cable espiral del mando deslizándolo el manguito de desbloqueo hacia arriba y retírelo de la clavija jack.



IMPORTANTE

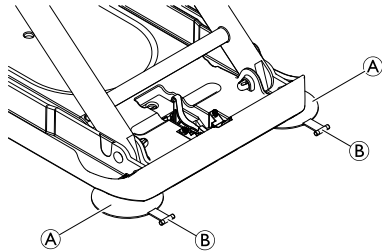
Riesgo de daños

- Cuando pliegue el respaldo hacia abajo, asegúrese de que el cable espiral del mando no quede atrapado.
- No pliegue el respaldo hacia abajo si hay agua en la bañera.



4. Agarre el respaldo con una mano en el extremo superior y pliéguelo hacia adelante hasta alcanzar la posición final.
5. Tire del respaldo hacia arriba para extraerlo del asiento y sáquelo de la bañera.

6. Pliegue hacia adentro las solapas laterales del asiento.



IMPORTANTE

- Suelte al mismo tiempo las dos ventosas traseras.

7. Suelte las ventosas traseras **A** tirando de las lengüetas **B**.
8. Levante la parte trasera del asiento aún más. De esta manera, se sueltan las ventosas delanteras.



IMPORTANTE

- Si instaló adaptadores de altura (opcional), también deberá tirar de las lengüetas de las ventosas delanteras para soltarlas.

9. Saque el asiento de la bañera.
10. Almacene con cuidado todos los componentes del elevador de bañera.

6 Mantenimiento

6.1 Mantenimiento y servicio

Si se siguen las indicaciones de limpieza y seguridad, el producto no necesitará ningún mantenimiento.



¡ IMPORTANTE

Únicamente el fabricante del elevador de bañera puede abrir el mando.

1. Compruebe con regularidad que el producto no esté dañado y que esté montado de forma segura.
2. En caso de producirse daños y/o reparaciones necesarias, póngase en contacto de inmediato con el proveedor.
3. El elevador de bañera debe revisarlo un proveedor autorizado antes de cada reutilización. Se recomienda revisar el elevador de bañera tras 24 meses como máximo (de acuerdo con la norma EN ISO 10535).
4. Si no utiliza el elevador de bañera durante un periodo prolongado, cargue totalmente la batería y a continuación haga que el elevador de bañera se desplace 3 veces hacia arriba y hacia abajo sin carga alguna. Repita este proceso cada 3 meses. Así se mantendrá la vida útil de la batería.

6.2 Limpieza y desinfección

El producto puede limpiarse y desinfectarse con productos disponibles en el mercado.

1. Desinfecte el producto limpiando todas las superficies accesibles con desinfectante (después de desmontarlo, si es posible).



¡ IMPORTANTE

Todos los productos de limpieza y desinfectantes empleados deben ser eficaces, compatibles entre sí y deben proteger los materiales que se van a limpiar.

- Para obtener más información sobre descontaminación en entornos sanitarios, consulte las directrices de "The National Institute for Clinical Excellence" sobre control de infecciones www.nice.org.uk/CG139, así como su política local de control de infecciones.
- Limpie el dispositivo a mano con regularidad.
- No utilice productos de limpieza abrasivos.

Limpieza del asiento y del respaldo



¡PRECAUCIÓN!

Peligro de atraparse los dedos

- Al limpiar, tenga especial cuidado con el área del mecanismo de elevación de tipo tijera, ya que podría moverse y causar lesiones.




¡ IMPORTANTE

Riesgo de daños

- No limpie nunca el respaldo con un limpiador a alta presión.

1. Lave el producto utilizando un paño o un cepillo.
2. Enjuague el producto con agua caliente.
3. Seque el producto con un paño.
4. Engrase ligeramente con vaselina la guía para el patín de deslizamiento (Fig. Sec. 3.2, Ⓜ).

Limpieza de las fundas (opcional)

 Se recomienda lavar las fundas antes de usarlas por primera vez. Por motivos de higiene, se recomienda lavar las fundas regularmente y cambiarlas una vez al año.

1. Desabotone las fundas del asiento y del respaldo.
2. Lave las fundas en una lavadora a una temperatura máxima de 60 °C con un detergente suave.

IMPORTANTE **Riesgo de daños**

- Si se lavan a altas temperaturas, las fundas se pueden dañar o encoger.
- No seque las fundas en la secadora.

Limpieza del cargador y del mando

¡ADVERTENCIA! **Riesgo de descarga eléctrica**

- Desconecte siempre el enchufe de la toma de corriente antes de limpiar el cargador.
- No introduzca nunca objetos fabricados con materiales conductores (por ejemplo, agujas de tejer o clavos metálicos) en el jack hembra del mando.
- No limpie nunca el cargador con un trapo mojado o húmedo.

1. Limpie el cargador con un paño seco.
2. Limpie el mando con un paño húmedo y séquelo con un paño seco.

7 Después del uso

7.1 Almacenamiento



¡ IMPORTANTE Riesgo de daños

- No almacene el producto cerca de fuentes de calor.
- No exponga el producto a la irradiación solar directa.
- Consulte las condiciones de almacenamiento y envío en la sección *9.4 Parámetros ambientales, página 90*.

7.2 Reutilización

El producto puede reutilizarse. El número de reutilizaciones depende de la frecuencia del uso y de la manera en que se haya usado el producto. Antes de una reutilización, el producto debe someterse a una preparación higiénica (→ *6.2 Limpieza y desinfección, página 84*). Asimismo, debe comprobarse que se encuentra en un estado de funcionamiento adecuado y seguro. Si es necesario, repárelo.

7.3 Eliminación

Los productos usados y los embalajes se deben desechar y reciclar según las normas locales correspondientes.



¡ADVERTENCIA!

- No arroje nunca el mando al fuego ni lo guarde cerca de una llama viva.

Obligación de informar conforme a la directiva alemana sobre baterías, BattG:

El presente producto contiene una batería de ion de litio recargable. Las baterías ya gastadas o las que ya no se pueden recargar, no se deben depositar en la basura doméstica. Las baterías usadas pueden incluir sustancias nocivas para el medio ambiente y la salud pública.

Devuelva estas baterías a un minorista o deposítelas en un punto de recogida municipal. Entregar las baterías no tiene coste alguno y está exigido por la ley.

Deposite solo baterías descargadas en los contenedores previstos para ello y en el caso de las baterías de litio, aísle los polos con cinta adhesiva.

8 Solución de problemas

8.1 Identificación y reparación de fallos



En la siguiente tabla se incluye información sobre funcionamientos incorrectos y sus posibles causas. Si no puede corregir el mal funcionamiento con las soluciones indicadas, póngase en contacto directamente con su distribuidor.

Fallo	Posible causa	Solución
No se oye el ruido del motor/el elevador no se mueve.	El enchufe hembra del mando manual no se bloquea correctamente.	Bloquee el enchufe hembra, → 3.3 <i>Ajuste del elevador de bañera, página 73.</i>
	La batería está descargada.	Recargue completamente la batería, → 3.4 <i>Carga de la batería, página 76.</i>
	Los contactos están sucios.	Limpie los contactos, → si es necesario, póngase en contacto con su proveedor.
	El cable ha quedado prensado/se ha dañado.	Cambie el mando manual, → si es necesario, póngase en contacto con su proveedor.
El elevador se puede elevar, pero no bajar.	La protección de bajo voltaje se ha activado.	Recargue completamente la batería, → 3.4 <i>Carga de la batería, página 76.</i>
El elevador se detiene al subir.	La carga es excesiva.	Tenga en cuenta la carga máxima, → 9.1 <i>Dimensiones y peso, página 89.</i>
El aparato elevador de bañera no se adhiere a la bañera con seguridad.	Las ventosas están muy usadas o dañadas.	Cambie las ventosas, → si es necesario, póngase en contacto con su proveedor.
La batería no se carga y la luz indicadora roja parpadea durante la carga.	El sistema electrónico es defectuoso.	Solicite al distribuidor autorizado que compruebe el mando manual.
	La batería es defectuosa.	Cambie el mando manual.

Fallo	Posible causa	Solución
	El cargador es defectuoso.	Solicite al distribuidor autorizado que compruebe el cargador.
	La batería se calienta demasiado.	No cargue el mando manual cerca de fuentes de calor como, por ejemplo, aparatos que emiten calor o la luz del sol directa. La carga continúa automáticamente cuando la temperatura desciende a los límites aceptables.

9 Datos Técnicos

9.1 Dimensiones y peso

Longitud total en la posición más baja	920 mm
Longitud total en la posición más alta	650 mm
Altura total en la posición más alta	1075 mm
Longitud del asiento	590 mm
Ancho del asiento con las solapas laterales desplegadas	715 mm
Ancho del asiento con las solapas laterales plegadas	390 mm
Altura del asiento en la posición más baja	60 mm
Altura del asiento en la posición más alta	420 mm
Ancho del respaldo	360 mm
Ángulo mínimo del respaldo	8°
Ancho de la placa base	295 mm
Carga máxima (modelos R y F) Carga máxima (modelo XL)	140 kg 170 kg
Peso total sin el mando (R) (F) (XL)	10,8 kg 11,4 kg 11,6 kg
Peso del asiento (R) (F) (XL)	6,6 kg 7,2 kg 7,4 kg

Peso del respaldo	4,2 kg
Peso del mando	0,4 kg
Peso del cargador	0,1 kg

9.2 Datos electrónicos

Fuerza de accionamiento de los botones del mando	< 5 N
Tensión de funcionamiento del mando ¹⁾	10,8 V CC / 14 V CC
Potencia nominal de entrada ¹⁾	43 VA / 56 VA
Corriente nominal	4 A
Tipo de batería	Ion de litio
Entrada del cargador	100 - 240 V CA, 50 - 60 Hz
Salida del cargador	24 V CC, 135 mA, 3 VA
Tiempo de carga a partir de la advertencia de tensión baja	aprox. 4,5 h
Tipo de protección del accionamiento	IP X6 W ²⁾
Tipo de protección del mando	IP 67 ³⁾
Tipo de protección de todo el dispositivo	IP X6 ⁴⁾
Nivel de potencia acústica	52 dB(A)

El pistón no se desactiva cuando el producto se sobrecarga. No sobrecargue el elevador de bañera para evitar daños.

- 1) 10,8 V CC / 43 VA válido si se utilizan mandos cuyo voltaje, indicado en la parte posterior del mando, sea de 10,8 V. 14 V CC / 56 VA válido si se utilizan mandos cuyo voltaje, indicado en la parte posterior del mando, sea de 14 V.
- 2) Protegido frente a la entrada de agua en caso de producirse fuertes chorros de agua, probado bajo condiciones meteorológicas estipuladas.
- 3) A prueba de polvo y protegido para evitar la entrada de agua en inmersiones temporales.
- 4) Protegido para evitar la entrada de agua en el caso de producirse fuertes chorros de agua.

9.3 Materiales

Respaldo	PPGF
Placa del asiento	PPGF
Fundas	PVC



Todos los materiales utilizados son resistentes a la corrosión y no contienen látex.

9.4 Parámetros ambientales

Condiciones de funcionamiento	
Temperatura ambiente	De 10 a 40 °C

Humedad relativa	Del 15 % al 93 %, sin condensación
Presión atmosférica	De 795 a 1060 hPa
Condiciones de almacenamiento y envío	
Temperatura ambiente	De 0 a 40 °C
Humedad relativa	Del 30 % al 75 %, sin condensación
Presión atmosférica	De 795 a 1060 hPa

10 Compatibilidad electromagnética (EMC)

10.1 Información general sobre EMC

Los equipos eléctricos médicos deben instalarse y utilizarse de acuerdo con la información sobre EMC de este manual.

Este equipo se ha probado y cumple con los límites de EMC establecidos por IEC/EN 60601-1-2 para equipos de Clase B.

Los equipos de comunicaciones por radiofrecuencia portátiles y móviles pueden afectar al funcionamiento de este producto.

Otros dispositivos pueden experimentar interferencias provocadas incluso por los bajos niveles de emisiones electromagnéticas permitidos por el estándar anterior. Para determinar si la emisión de este producto es la causa de la interferencia, hágalo funcionar y párelo después. Si la interferencia con el funcionamiento del otro dispositivo se interrumpe, entonces este producto es el causante. En esos casos excepcionales, la interferencia se puede reducir o corregir mediante las siguientes acciones:

- Cambie de posición el equipo, reubíquelo o aumente la separación entre los dispositivos.

10.2 Emisiones electromagnéticas

Directrices y declaración del fabricante

Este producto se ha diseñado para utilizarse en el entorno electromagnético que se especifica a continuación. El cliente o usuario de este producto debe comprobar que se utiliza en dicho entorno.

Prueba de emisiones	Cumplimiento	Entorno electromagnético: guía
Emisiones de RF CISPR 11	Grupo I	Este producto utiliza energía de RF únicamente para su funcionamiento interno. Por lo tanto, sus emisiones de RF son muy bajas y no es probable que causen interferencias con equipos electrónicos cercanos.
Emisiones de RF CISPR 11	Clase B	Este producto es adecuado para su uso en todos los establecimientos, incluidos los establecimientos domésticos y aquellos conectados directamente a la red pública de suministro de baja tensión que abastece servicios utilizados para fines domésticos.

Emisiones de armónicos IEC 61000-3-2	Clase A	
Fluctuaciones de tensión/emisiones de parpadeo IEC 61000-3-3	Cumple	


10.3 Inmunidad electromagnética

Directrices y declaración del fabricante

Este producto se ha diseñado para utilizarse en el entorno electromagnético que se especifica a continuación. El cliente o usuario de este producto debe comprobar que se utiliza en dicho entorno.

Prueba de inmunidad	Nivel de prueba/cumplimiento	Entorno electromagnético: guía
Descarga electrostática (ESD) IEC 61000-4-2	± 8 kV contacto ± 2 kV, ± 4 kV, ± 8 kV, 15 kV aire	Los suelos deben ser de madera, de cemento o de baldosas de cerámica. Si los suelos están cubiertos con material sintético, la humedad relativa debería ser de al menos un 30 %.
Transitorios y pulsos electrostáticos IEC 61000-4-4	± 2 kV para las líneas de suministro eléctrico; 100 kHz de frecuencia de entrada ± 1 kV para las líneas de suministro de entrada y salida; 100 kHz de frecuencia de entrada	La calidad de la red de suministro eléctrico debería ser la habitual de un entorno comercial u hospitalario.

Prueba de inmunidad	Nivel de prueba/cumplimiento	Entorno electromagnético: guía
Sobretensión IEC 61000-4-5	± 1 kV de línea a línea ± 2 kV de línea a toma de tierra	La calidad de la red de suministro eléctrico debería ser la habitual de un entorno comercial u hospitalario.
Caídas de tensión, interrupciones breves y variaciones de voltaje en las líneas de suministro de entrada IEC 61000-4-11	< 0 % U_T durante 0,5 ciclo en pasos de 45° 0 % U_T durante 1 ciclo 70 % U_T durante 25/30 ciclos < 5 % U_T durante 250/300 ciclos	La calidad de la red de suministro eléctrico debería ser la habitual de un entorno comercial u hospitalario. Si el usuario de este producto necesita que esté operativo durante las interrupciones del suministro de energía, se recomienda alimentar el producto mediante un sistema de alimentación ininterrumpida o una batería. U_T es el voltaje de corriente alterna de la red antes de la aplicación del nivel de prueba.
Campo magnético de la frecuencia de alimentación (50/60 Hz) IEC 61000-4-8	30 A/m	Los campos magnéticos de frecuencia de alimentación deberían estar en los niveles característicos de un entorno hospitalario o comercial.

Prueba de inmunidad	Nivel de prueba/cumplimiento	Entorno electromagnético: guía
RF conducida IEC 61000-4-6	3 V 150 kHz a 80 Mhz 6 V en bandas ISM y bandas de radioaficionados	<p>No es posible predecir teóricamente con exactitud la intensidad de campo de los transmisores fijos, como las emisoras de radioaficionados, las estaciones base de radioteléfonos (móviles/inalámbricos) y de radios móviles terrestres, así como las emisoras de radio AM y FM y de televisión. Para evaluar el entorno electromagnético causado por transmisores de RF fijos, debería realizarse un estudio electromagnético del emplazamiento. Si la intensidad del campo del emplazamiento en el que se utiliza este producto supera el nivel de cumplimiento de RF indicado anteriormente, es necesario observar el producto para comprobar que funciona correctamente. Si se observa un funcionamiento anormal, será preciso tomar las medidas necesarias, como la reorientación o reubicación del producto.</p> <p>Es posible que se produzcan interferencias cerca de los equipos marcados con el símbolo siguiente: </p>
RF radiada IEC 61000-4-3	10 V/m 80 Mhz a 2,7 GHz Para las especificaciones de prueba de 385 MHz - 5785 MHz sobre la inmunidad a los equipos de comunicación inalámbricos por radiofrecuencia, consulte la tabla 9 de IEC 60601-1-2:2014	No deben usarse equipos de comunicaciones por radiofrecuencia móviles y portátiles a menos de 30 cm de cualquiera de las piezas de este producto, incluidos los cables.



Estas directrices no se aplican en todas las situaciones. La propagación electromagnética se ve afectada por la absorción y la reflexión en estructuras, objetos y personas.

Invacare distributors

USA:

Clarke Health Care Products
7830 Steubenville Pike
Oakdale, PA 15071, USA
Toll Free: (888) 347-4537
Phone: (724) 695-2122
email: info@clarkehealthcare.com
www.clarkehealthcare.com

Canada:

Invacare Canada LP
570 Matheson Blvd E. Unit 8
Mississauga Ontario
L4Z 4G4, Canada
Phone: (905) 890 8300
Fax: (905) 501 4336



Aquatec Operations GmbH
Alemannenstrasse 10
D-88316 Isny
Germany

1574470-D 2018-06-04



Making Life's Experiences Possible®

AQUATEC®



Yes, you can.®