

INVACARE® MATRX®
SEATING SERIES
PRODUCT GUIDE



Invacare® Matrix® Seating and Positioning is an established global leader, committed to product innovation, high quality standards and superior product performance. As the world of seating evolves, the Invacare Matrix Seating Series continues to exceed customer expectations.



TABLE OF CONTENTS



Pediatric

Cushions

PS Mini Cushion	5
PSP Mini Cushion	5
Libra™/Libra™ Adjust Cushion	5
Kid*ab*ra Vi Cushion/Base	5
Pelvic Obliquity Kit	5

Backs

Mini Back	6
Mini Laterals	6
Mini Chest Harness Interfaces	6
Mini Hardware Options	6
MiniFlex Abdominal Support	6
Mini Dipped Back Shell	6

Accessories

Loxx™ Mini Headrest	7
Elan® Mini Headrest	7
Headrest Pad Options	7

Standard

Cushions

Libra™ Cushion	8
Libra™ Adjust Cushion	8
Libra™ Fit Kit	8
PSVF Cushion	8
PS Cushion	9
PSP Cushion	9
Vi Cushion	9
Matrx Cushion Options and Accessories	9

Backs

E2™ & E2™ Deep Back Overview	10/11/12
E2™ Options	13
E2™ Back	14
E2™ Deep Back	14
Elite™ Back	14
Elite™ Deep Back	14
Elite™ TR Back	14
PB Back	15
PB Deep Back	15
Back Options and Accessories	16

High Performance

MX2 Back	18/19
----------	-------

Bariatric

Cushions

PS Heavy-Duty Cushion	20
PSP Heavy-Duty Cushion	20
Vi Heavy-Duty Cushion	20
Libra™ Heavy-Duty/ Libra™ Adjust Heavy-Duty Cushion	20
Libra™ Fit Kit	8

Backs

Elite™ Heavy-Duty Back	21
Elite™ Deep Heavy-Duty Back	21
Elite™ TR Heavy-Duty Back	21
PB Heavy-Duty Back	21
PB Deep Heavy-Duty Back	21

Accessories

Loxx™ Headrest Hardware	22
Elan® Headrest Hardware	23
Headrest Pad Options	24
Arm Pads/Straps/Lap Belts/Trays	17

Infection Control Covers

Infection Control Materials	26
Protect Slipcovers	27
Full Cover with Zipper	27

LET KIDS BE KIDS!



Pediatric Cushions/Backs Fabric Options



Black Startex



Kid*ab*ra Meshtex



Blizzard Blue Startex



Pink Lollipop Startex

MINI CUSHIONS



PS Mini Cushion

The lightweight PS Cushion is designed to provide superior positioning, stability and comfort. The design features an anatomically contoured shape molded out of HR foam with a unique waffled ischial relief recess. The inner cover and reversible outer cover offers an additional moisture barrier preventing fluids or contaminants reaching the foam. It is a great choice for a very wide range of individual needs.

Width: 8", 9", 10", 11", 12", 13", 14"

**Non-stock sizes*

Depth: 10", 12", 14", 16"

Weight Capacity: 150 lb.

Cover Options: Kid*ab*ra Meshtex, Blizzard Blue, Pink Lollipop and Black Startex (shown/reversible)



PSP Mini Cushion

PSP (Posture Seat Polymer) cushion combines lightweight, stability and support of the PS foam base with a polymer overlay for superior protection, positioning and shear reduction. The inner cover and reversible outer cover offers an additional moisture barrier preventing fluids or contaminants reaching the foam.

Width: 10", 11", 12", 13", 14"

Depth: 10", 12", 14", 16"

Weight Capacity: 150 lb.

Cover Options: Kid*ab*ra Meshtex, Blizzard Blue, Pink Lollipop and Black Startex (shown/reversible)



Libra™/ Libra™ Adjust Cushions

Designed with the highest level of skin protection, positioning and adjustability for unique user needs. Contoured HR foam base designed for off-loading and pelvic stability, 3 chamber, maintenance-free fluid overlay for maximum protection around bony prominences. Highly flexible Platilon inner liner provides an extra layer of moisture protection. Recommended for those at highest risk or with existing skin breakdown.

Width: 14"

Depth: 12", 14", 16"

Weight Capacity: 300 lb.

Cover Options: Startex™ (shown), Spacer Mesh and Infection Control (wipeable)



Kid*ab*ra Vi Cushion

Kid*ab*ra Vi Cushion combines a 3-Layer HR molded foam with viscoelastic pelvic relief zone and is designed to provide skin protection and positioning for individuals at moderate to high risk of skin breakdown. The inner cover offers an additional moisture barrier preventing fluids or contaminants reaching the foam.

Width: 12", 14"

Depth: 12", 14"

Weight Capacity: 150 lb.

Cover Options: Kid*ab*ra Meshtex (shown), Black Meshtex



Base Kid*ab*ra Vi

Kid*ab*ra base is comprised of Kidabra cushion and an ABS drop base, surrounded with zippered inner cover, including choice of flush mount, 1" or 2" drop hooks and Quick-release hardware.

Width: 12", 13", 14"

Depth: 12", 14"

Weight Capacity: 150 lb.

Cover Options: Kid*ab*ra Meshtex (shown), Black Meshtex



Pelvic Obliquity Kit (2 pcs)

Designed to accommodate up to 1° obliquities. Can be readily modified and installed onto the following cushions:

Vi and Kid*ab*ra Vi cushions, PS cushions, and PSP cushions

MINI BACK



MiniSet



MiniSet Heavy-duty

Hardware Options

Angle, height, depth, width, rotation adjustable for precise orientation. Width adjustable to fit chairs 1" narrower or wider than back model widths.

Quick-release design for easy removal/portability.

MiniSet Hardware – Standard on all Matrix Mini Backs. Provides 40° Angle, 4" depth and even rotation adjustment.

MiniSet Heavy-Duty Hardware – Recommended for high tone or heavy use applications.

Mini Back

Contoured for exceptional support, stability and freedom of upper extremity mobility. Mini hardware provides 4" of growth adjustment, multiple positioning options and easy portability.

Width: 10", 11", 12", 13", 14"

Height: 7", 10", 12", 14"

Weight Capacity: 150 lb.

Contour Depth: 3"

Fabric Options: Kid*ab*ra Meshtex (shown); Blizzard Blue, Pink Lollipop and Black Startex

Standard Hardware: MiniSet Mounting Hardware (Quick-release latch for easy removal/portability; Fits 1", 7/8" and 3/4" diameter canes; allows back angle/depth adjustment with child seated in wheelchair)

Options: Swing-away Laterals, Fixed Laterals, Chest Harness Interface, MiniEXT Hardware Interface



Dipped Back Option

Customize with your child's favorite characters or pattern. Variety of patterns to choose from. Contact our customer service for details.



Mini Fixed Laterals

Padded lightweight aluminum plates provide an extra 3" of contour depth.

Pad Size: 3" L x 4.5" H

Fabric Options: Kid*ab*ra Meshtex (shown); Blizzard Blue, Pink Lollipop and Black Startex



Mini Swing-Away Laterals

Designed for the Invacare Matrix Mini Back. Installs inside back shell; Does not compromise depth/angle adjustment. Lock/release latch allows pad to swing away for side transfers. Up to 2" depth adjustability within the pad.

Pad Size: 4.25" L x 3.25" H, 5.25" L x 3.5" H

Fabric: Black Startex



One piece back mount Chest harness Interface (CHIMB)



Two piece side mount Chest harness Interface (HIMINI)



MiniFlex Abdominal Support

Reversible (Kid*ab*ra/black) stretch neoprene abdominal support. Keyhole attachment for ease of application.

Available in 2 sizes:

XS - 4.5" H x 10" to 14" wide

S - 6" H x 10" to 14" wide



MiniEXT Hardware

Provides pin mounting location +/- 3.5" for clearance of obstacles on back canes.

MINI HEADRESTS

new



Loxx™ Mini Headrest Hardware

Easy and intuitive tool-free lever adjustment of pad position in all directions. Patent pending, crash-tested design ensures secure hold in locked position. Dual pivot balls and slide bar for optimal pad orientation and curved vertical post for lateral or forward mounting positions.

Mini: 11" vertical post

Safety: High visibility protective urethane tip



Extended Hardware

Elan® Mini Headrest Hardware

Highly adjustable through pivot ball joints and multi-disk locking plates. Tool-free adjustment levers included for easy fitting and position changes. Elan Extended hardware with extra 3" link for extended reach is also available.

Standard - two - 3" links

Extended - three -3" links

Vertical Post - 11"

HEADREST PAD OPTIONS



Standard Pad

Covers - Standard (Startex) or Infection Control (reverse Startex). Pad covers are easily removed for cleaning.

Pad Sizes:

6" Pad: 6" x 3.5"

10" Pad: 10" x 5"

14" Pad: 14" x 5"



Occipital Pad

Covers - Standard (Startex) or Infection Control (reverse Startex). Pad covers are easily removed for cleaning.

Pad Sizes:

9" Pad: 9" x 7"

12" Pad: 12" x 8"



4 Point Pad

Covers - Standard (Startex) or Infection Control (reverse Startex). Pad covers are easily removed for cleaning.

Pad Size:

Small Pad: 9" x 7"

Large Pad: 11" x 10"

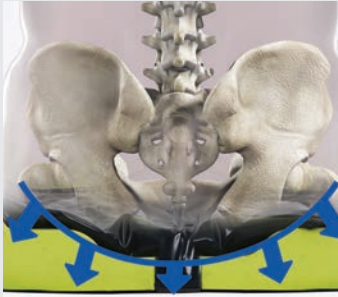


Elan™ headband

Comfortable neoprene forehead support with slip resistant, non-allergenic inner surface. Easy keyhole attachment for ease of application.

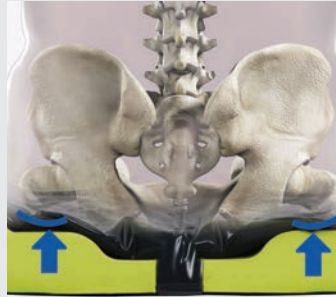
STANDARD CUSHIONS

Immersion



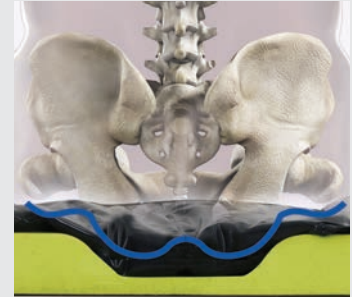
Maximizes surface contact area in order to reduce peak pressures
 $Pressure = Force/Area$.

Off-Loading



Transfers forces away from the ischial tuberosities with greater weight bearing on the trochanters, hips and thighs.

Envelopment



Fluid sac surrounds the bony prominences promoting shear reduction, especially during position change.



Libra™ Cushion

Designed with the highest level of skin protection, positioning and adjustability for unique user needs. Contoured HR foam base designed for off-loading and pelvic stability, 3 chamber, maintenance-free fluid overlay for maximum protection around boney prominences. Highly flexible Platilon inner liner provides an extra layer of moisture protection. Recommended for those at highest risk or with existing skin breakdown.

Width: 14", 15", 16", 17", 18", 20"

Depth: *12", *14", 16", 18", 20", 22"

** available for 14" Wide cushions only*

Weight Capacity: 300 lb.

Cover Options*: Startex™ (shown), Spacer Mesh (breathable) Infection Control (wipeable)



Libra™ Adjust Cushion

Libra Cushion with 2 additional Fluid Supplement Packs to enhance the depth of the pelvic well.

Width: 14", 15", 16", 17", 18", 20"

Depth: *12", *14", 16", 18", 20", 22"

** available for 14" Wide cushions only*

Weight Capacity: 300 lb.

Cover Options*: Startex™ (shown), Spacer Mesh (breathable), Infection Control (wipeable)



PSVF Cushion

The unique three-part foam construction combination of PSVF cushion provides maximum immersion and comfort without sacrificing long-lasting durability and support. The inner cover offers an additional moisture barrier preventing fluids or contaminants reaching the foam. Exceptionally comfortable, a popular choice for geriatric or sensitive users.

Width: 16", 18", 20"

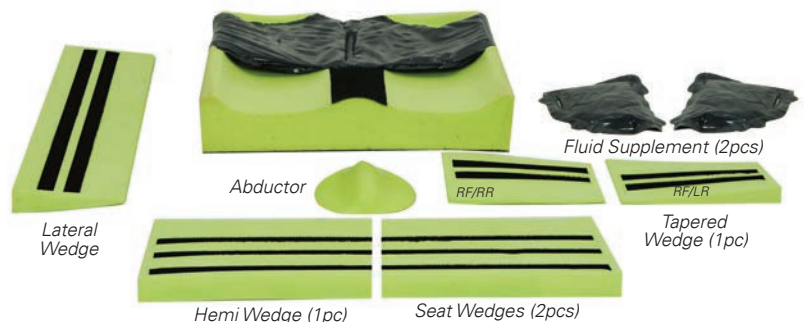
Depth: 16", 18", 20"

Weight Capacity: 300 lb.

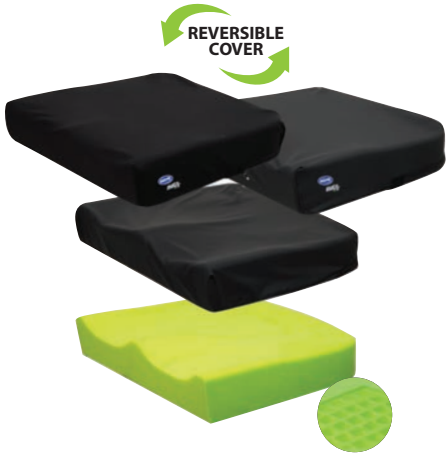
Cover Options*: Startex™/Meshtex combination cover (shown) or Infection Control (wipeable)

Libra Fit Kit Accessories

Designed to enhance immersion, help correct or accommodate orthopedic asymmetries, and promote lower extremity positioning.



STANDARD CUSHIONS



PS Cushion

The lightweight PS Cushion is designed to provide superior positioning, stability and comfort. The design features an anatomically contoured shape molded out of HR foam with a unique waffled ischial relief recess. The inner cover and reversible outer cover offers an additional moisture barrier preventing fluids or contaminants reaching the foam. It is a great choice for a very wide range of individual needs.

Width: 14", 16", 17", 18", 20"

Depth: 16", 18", 20", 22"

Weight Capacity: 300 lb.

Cover Options*: Reversible Startex™ may be used fabric or wipeable side out



PSP Cushion

PSP (Posture Seat Polymer) cushion combines lightweight, stability and support of the PS foam base with a polymer overlay for superior protection, positioning and shear reduction. The inner cover and reversible outer cover offers an additional moisture barrier preventing fluids or contaminants reaching the foam.

Width: 14", 16", 17", 18", 20"

Depth: 16", 18", 20", 22"

Weight Capacity: 300 lb.

Cover Options*: Reversible Startex™ may be used fabric or wipeable side out



Vi Cushion*

Vi Cushion combines a 3-Layer HR molded foam with viscoelastic pelvic relief zone and is designed to provide skin protection and positioning for individuals at moderate to high risk of skin breakdown. The inner cover offers an additional moisture barrier preventing fluids or contaminants reaching the foam.

Width: 14", 16", 17", 18", 20"

Depth: *15", *16", 17", 18", 20", 22"

* available for 15" wide and 17" wide cushions only

Weight Capacity: 300 lb.

Cover Options*: Black Meshtex
+ Also available with built-in Drop Base

Standard

CUSHION OPTIONS



Cushion & Cover Modifications

Custom modifications are available to accommodate a variety of orthopedic conditions. Standard modifications include seat width and depth reductions, as well as leg length discrepancies. (Additional lead time required)



Pelvic Obliquity Kit (2 pcs)

Designed to accommodate up to 1" obliquities. Can be readily modified and installed onto the following cushions:

Vi and Kid*ab*ra Vi Cushions, PS and PSP Cushions



Cushion Rigidizer

Lightweight plastic seat insert is designed to eliminate the hammock effect of the wheelchair sling seat upholstery. It is secured to the bottom of foam cushion inside the cushion cover and fits between seat rails for level support.

THE RIPPLE EFFECT



E2™ BACK

E2™ and E2™ Deep Backs

The NEW, award-winning Invacare® Matrix® E2 Back Series has taken back support to a new level! Over 100 models to fit every shape and size, from 14" to 20" wide in one inch increments, and starting at 6" high in both standard and deep contours. Introducing hardware updates and new accessories for our best fit and easiest set up. New leading edge Ripple Foam technology is designed to provide temperature control and enhanced immersion for our most comfortable support ever.

Width: 14", 15", 16", 17", 18", 19", 20"

Height: 6", 8", 10", 12", 14", 16", 18", 20"

Weight Capacity: 300 lb.

Contour Depths: 3" Standard and 6" Deep

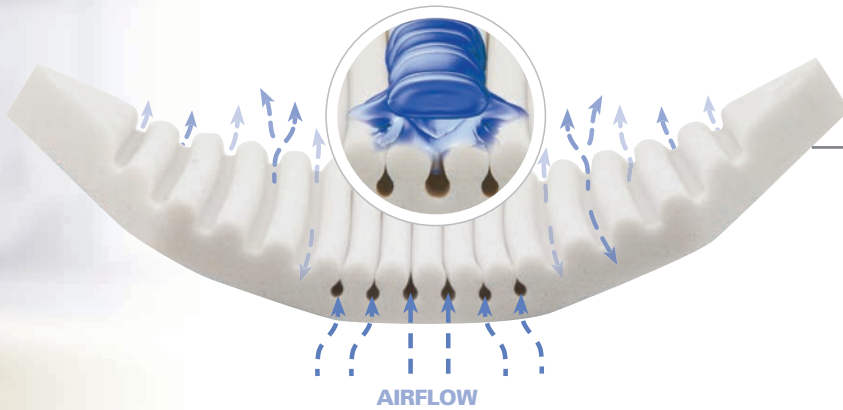
Hardware Options: MiniSet and EasySet



MiniSet

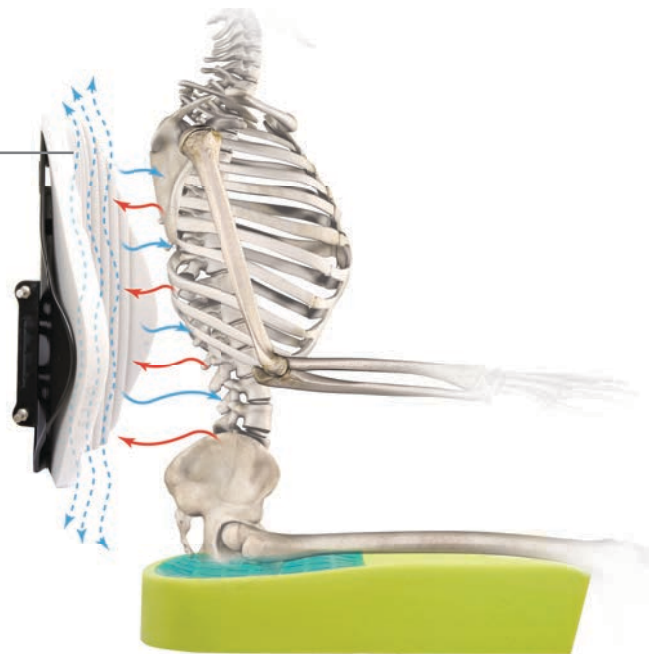


EasySet



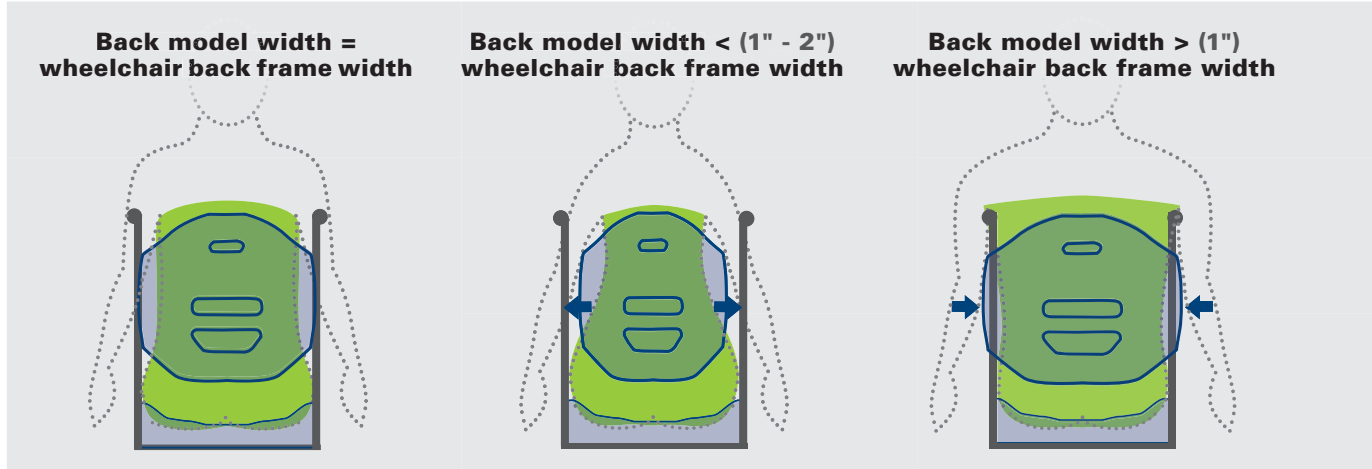
- Airflow channels for temperature and humidity control
- Rippled top surface for immersion and comfort
- Solid HR foam backing for support and protection
- Extra immersion and shear reduction in spinal relief area
- Allows perfect fit of foam to back contour

Slight body movement helps air move through the Ripple Foam channels of the E2 back surface and further propels the air. The most dramatic cooling effect noted with 30-second off-loading.



Standard

E2™ BACK



E2 - 3" Contour

HEIGHT

WIDTH

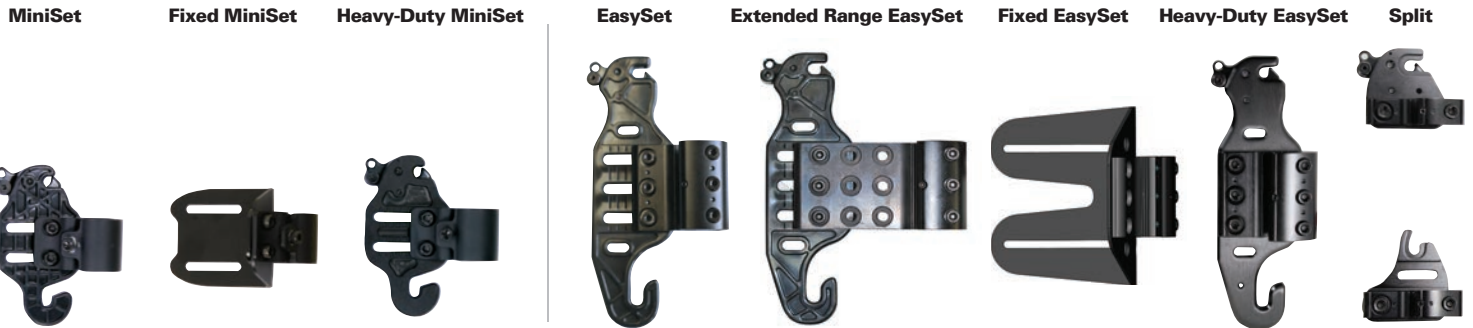
	14"	15"	16"	17"	18"	19"	20"
FITS W/C	13"-15"	14"-16"	15"-17"	16"-18"	17"-19"	18"-20"	19"-21"
6"	•	•	•	•	•	•	•
8"	•	•	•	•	•	•	•
10"	•	•	•	•	•	•	•
12"	•	•	•	•	•	•	•
14"	•	•	•	•	•	•	•
16"	•	•	•	•	•	•	•
FITS W/C	13"-16"	14"-17"	15"-18"	16"-19"	17"-20"	18"-21"	19"-22"
18"	•	•	•	•	•	•	•
20"	•	•	•	•	•	•	•

• MiniSet Hardware • EasySet Hardware



E2 Deep - 6" Contour

HARDWARE OPTIONS



Mounting Hardware Options for E2 Back

MiniSet

Standard on all E2S/E2D backs up to 16" high
Quick-release design for easy removal/portability.

Fixed MiniSet (MSFXU)

Low-profile design compatible with rigid chairs, recommended for tilt/recline applications
Requires tools for removal.

Heavy-Duty MiniSet (MSHD)

Recommended for high tone or heavy use applications; Quick-release design for easy removal/portability.

EasySet

Standard on all E2S/E2D backs 18" and 20" high; Quick-release design for easy removal/portability.

Extended Range EasySet (ERMHU)

Compatible with E2S/E2D backs heights 12" to 20" high, provides additional 2" depth adjustment.

Fixed EasySet (ESFXU)

Recommended for tilt/recline applications
Requires tools for removal.

Heavy-Duty EasySet (HDMHU)

Recommended for users with high tone or heavy intended use; Quick-release design for easy removal/portability.

Split (SMHU)

Allows clearance of frame obstacles, Quick-release
Compatible with EasySet Pin Interface only.

E2™ BACK OPTIONS

Standard



Inside Mount

Outside Mount



EasyFix Laterals

Padded lightweight aluminum plates provide an extra 4.5" of contour depth. Can be installed inside or outside of the back shell height adjustable in vertical slot, can be offset. Compatible with E2 standard contour backs 10" and higher.

Pad Size: 4.5" L x 6.25" H

Fabric: Meshtex



Swing Away Laterals

Standard or offset hardware available. Molded HR foam wraps around the shell for maximum comfort and protection. Up to 2" depth adjustability within the pad. Compatible with E2 standard contour backs; Standard 10" and higher; Offset 12" and higher.

Available in 4 pad sizes:

XS: 4.25" L x 3.25" H

S: 5.25" L x 3.5" H

M: 5.75" L x 3.75" H

L: 6.5" L x 4.25" H

Fabric: Black Startex



PostureFlex Abdominal Support

Designed to provide comfortable upright postural support. Width and tension adjustable hook and loop closure with easy keyhole attachment. Up to 3 pre-drilled mounting holes on E2 back shell.

Available in 2 sizes:

M: 16" - 23" L x 6.5" H

L: 20" - 32" L x 7" H



Quad Release Tab for PostureFlex

Quad release tab to ease independent application and removal of PostureFlex Abdominal Support by people with limited manual dexterity.



BackBone

Contoured anatomical PSIS/Sacrolumbar Support, can be trimmed to desired size. Molded in loop fastener for attachment to back shell and ease of adjustment.



Matrix Privacy Flaps

Easily attached to E2/E2D backs for built-in privacy.

Available in 4 sizes:

XS: 14" W

S: 15" & 16" W

M: 17" & 18" W

L: 19" & 20" W



Chest Harness Interface

Allows precise placement of Shoulder Strap Guides for most effective positioning.

E2CHI-S: 14" to 15" W backs

E2CHI-M: 16" to 20" W backs



Headrest Interface

Molded lightweight, low-profile mounting plate for headrest attachment. Easy to install without removing back cover. Included with all E2 backs 14" and higher. Shown with Elan headrest receiver, not included.

E2HDI Optional extra strong steel headrest mount for extreme tone, heavy use applications and recommended for mounting non-Matrix headrests.

STANDARD BACKS



E2™ Back

The Award-winning E2 Back utilizes the leading edge Ripple Foam technology to provide temperature control and enhanced immersion for the most comfortable support ever.

Width: 14", 15", 16", 17", 18", 19", 20"

Height: 6", 8", 10", 12", 14", 16", 18", 20"

Weight Capacity: 300 lb.

Contour Depth: 3"

Standard Hardware: MiniSet and EasySet

Hardware Options: Fixed MiniSet, Heavy-Duty MiniSet, Fixed EasySet, Heavy-Duty EasySet, or Split Mounting Hardware



E2™ Deep Back

E2 Deep backs are designed with additional contour depth for those requiring enhanced midline postural support.

Width: 14", 15", 16", 17", 18", 19", 20"

Height: 6", 8", 10", 12", 14", 16", 18", 20"

Weight Capacity: 300 lb.

Contour Depth: 6"

Standard Hardware: MiniSet and EasySet

Hardware Options: Fixed MiniSet, Split Heavy-Duty MiniSet, Fixed EasySet, Heavy-Duty EasySet and Split



Elite™ Back

Elite Back utilizes an anatomically contoured aluminum back shell with scapular cut-out for support and freedom of upper extremities. Meshtex cover and foam overlap back shell for comfort and protection.

Width: 14", 15", 16", 17", 18", 19", 20"

Height: 10", 12", 14", 16", 18", 20"

Weight Capacity: 300 lb.

Contour Depth: 3"

Standard Hardware: Easy Set

Hardware Options: Extended Range Hardware, Split Hardware, Fixed Space Saver, Heavy-Duty Easy Set



Elite™ Deep Back

Elite Deep Back designed with extra contour depth for those requiring enhanced midline support and scapular cut-out for freedom of upper extremities.

Width: 14", 15", 16", 17", 18", 19", 20"

Height: 10", 12", 14", 16", 18", 20"

Weight Capacity: 300 lb.

Contour Depth: 6"

Standard Hardware: Easy Set

Hardware Options: Extended Range Hardware, Split Hardware, Fixed Space Saver, Heavy-Duty Easy Set



Elite™ TR Back

Elite TR Back is ideal for Tilt or Tilt/Recline applications. Back shell formed to include scapular support and SuperSoft foam for extra immersion & comfort.

Width: 15", 16", 17", 18", 19", 20"

Height: 16", 18", 20"

Weight Capacity: 300 lb.

Contour Depth: 3"

SuperSoft Foam: (Dual layer foam pad with 1" super-soft foam laminated to 1" firm HR foam)

Standard Hardware: Easy Set

Hardware Options: Extended Range Hardware, Split Hardware, Fixed Space Saver, Heavy-Duty Easy Set

STANDARD BACKS

Standard



Molded HR foam wraps around the shell for maximum comfort and protection. Foam attaches to back shell via hook and loop strips for easy replacement.



PB Back

PB Back utilizes an ABS Shell with molded HR foam. Gently contoured shape with full wraparound upholstery.

Width: 14", 16", 17", 18", 20"

Height: 12", 16", 20"

Weight Capacity: 300 lb.

Contour Depth: 5"

Standard Hardware: Easy Set

Hardware Options: Extended Range Hardware, Split Hardware, Fixed Space Saver, Heavy-Duty Easy Set



PB Deep Back

PB Deep Back offers extra deep contour for midline support and stability.

Width: 14", 16", 17", 18", 20"

Height: 12", 16", 20"

Weight Capacity: 300 lb.

Contour Depth: 7"

Standard Hardware: Easy Set

Hardware Options: Extended Range Hardware, Split Hardware, Fixed Space Saver, Heavy-Duty Easy Set

HARDWARE OPTIONS

Easy Set



Split



Heavy-Duty Easy Set



Extended Range



Fixed Space Saver



Mounting Pins



Mounting Hardware Options for Elite and PB Backs

Easy Set (PBMH)

Quick-release design for easy removal/portability; Allows back angle/depth adjustment with client seated in wheelchair. Compatible with all models of Elite & PB backs.

Split (SMH)

Allows clearance of back cane rigidizer bars or other obstacles.

Heavy-Duty Easy Set (HDMH)

Included with all Heavy-Duty Back models; Recommended for users with high tone or heavy intended use.

Extended Range EasySet (ERMH)

Provides additional 2" depth adjustment.

Fixed Space Saver (FSSH)

Recommended for power tilt/recline or tighter width applications. Permanent mount requires tools for removal.

Mounting Pins

Standard/Long Mounting Pins: Included with PB and Elite Backs; allows PB Back to fit back canes 1" narrower to 1" wider, and Elite back canes the same width or 1" wider.

Optional Extended Mounting Pins (EMP):

Allow interface to wheelchairs up to 2" wider.

OPTIONS & ACCESSORIES



Elite Fixed Laterals

Can be installed inside of the back shell. Height-adjustable in vertical slot, can be offset. Compatible with Elite standard contour backs.

Pad Sizes:

- Standard:** 7.5" L x 5" H
- Pediatric:** 5.5" L x 3" H
- Offset:** 7.5" L x 5" H



Swing Away Laterals

Molded HR foam wraps around the shell for maximum comfort and protection. Up to 2" depth adjustability within the pad. Compatible with Elite and E2 standard contour backs. On E2 Standard 10" and higher; Offset 12" and higher.

Available in 4 pad sizes:

- XS:** 4.25" L x 3.25" H
- S:** 5.25" L x 3.5" H
- M:** 5.75" L x 3.75" H
- L:** 6.5" L x 4.25" H



Visco Foam Upgrade

ViscoFoam/Supersoft Foam Upgrade Available on Elite and PB Series backs only.



Privacy Flaps (PFLAP)

Available for all Matrix backs.
Standard Sizes: XS up to XXL,
 Fits back width 13" - 24"
 Larger sizes available upon request



Chest Harness Interface for PB Backs (CHIPB)

Width adjustable chest harness interface for precise orientation of shoulder straps.



Headrest Interface for all Elite and Elite Deep Matrix Backs

E2HI Molded lightweight, low-profile mounting plate for headrest attachment. Easy to install without removing back cover. Included with all backs 14" and higher.

E2HDI Optional extra strong steel headrest mount for extreme tone or heavy use applications.



Dipped Back Shell Option

Customize Matrix E2 and Elite backs with a choice of patterns. Contact our customer service for details.



U.S. Military Emblems

We salute Veterans: Air Force, Army, Marine Corps & Navy.

Available in:

- 3" (Sticker) - E2/Elite/MX2 Backs
- 6" (Embroidered patch) for PB Backs

ACCESSORIES



Ergonomic Arm Trough

Molded, ergonomic shape fits the natural arm curve; provides users flexibility of various arm positions Available for left or right side and is 13" x 4.5"; optional add-on ambidextrous flat hand pad 5" x 4.5".



Multi-Axis Armrest Mount

Allows infinite adjustability of angle and rotation of arm pad, Multi-position arm pads or Arm Trough.



Modular Arm Pads

Durable composite slotted frame provides multiple mounting positions. Available with Viscofoam/Startex or Integral Foam insert.

Available for left or right side, in 2 sizes:

Full length: 14" L x 4" W
Desk length: 10" L x 4" W



Gel Arm Pads

Available for left or right side, in 3 sizes:

Narrow: 12" L x 2" W
Wide: 12" L x 3" W
Long: 14" L x 3.5" W



Multi-Position Arm Pad

Integral foam design with low-profile edge guard to protect the foam. Available for left or right side, in 2 sizes:

Full length: 14" x 3"
Desk length: 10" x 3"



Bodypoint Padded Lap Belts

Available in 2 and 4 Point; center push button release; fits hip widths 13" - 19" W



Bodypoint Aeromesh® Calf Straps/Panels

Available in 4 sizes:

3.5" H and fits chairs 15" - 18" W
3.5" H and fits chairs 18" - 22" W
9" H and fits chairs 15" - 18" W
9" H and fits chairs 18" - 22" W

PEAK PERFORMANCE



K-SERIE

MX2 BACK



Matrx MX2 Carbon Fiber Back

Award-winning design recommended for highly active users. The unique, ultra lightweight carbon fiber design provides flex and suspension which may be beneficial to users with tone and spasticity. Cool spacer mesh cover with reinforced leatherette side panels.

Width: 14", 15", 16", 17", 18"

Height: 6", 9", 12", 16"

Weight Capacity: 250 lb.

Contour Depth: 3"

Hardware Options: Fixed Mount & Quick-release

MX2 - 3" Contour



Solid Carbon Fiber Back Shell construction designed to provide optimal flex and suspension. Shaped for perfect fit and maximum stability. Designed with cutouts for breathability and slots for easy height adjustment.



MX2 Deep Laterals

Lightweight aluminum plate. provides extra 3" contour depth for midline support and stability.

Pad Size: 4.5" L x 3" H



Fixed Mount



Quick-release



Heavy-Duty MiniSet

Hardware Options

Angle, height, depth, width, rotation adjustable for precise orientation. Width adjustable to fit chairs 1" narrower or wider than back model widths.

Fixed Mount

Lightweight, carbon fiber construction, maximum performance for rigid chairs

Quick-release

Easy removal for portability

Heavy-Duty MiniSet

Recommended for high tone or heavy use applications; Quick-release design for easy removal for portability



Privacy Flaps (PFLAP)

Available for all MX2 back sizes

Peak Performance

HEAVY-DUTY CUSHIONS



PS Heavy-Duty

The lightweight PS Cushion is designed to provide superior positioning, stability and comfort. The design features an anatomically contoured shape molded out of HR foam with a unique waffled ischial relief recess. The inner cover and reversible outer cover (available on stock sizes) offer an additional moisture barrier preventing fluids or contaminants reaching the foam. It is a great choice for a very wide range of individual needs.

Width: 22", 24", 26" - Stock (up to 30" - Special)

Depth: 18", 20", 22" - Stock (up to 30" - Special)

Weight Capacity: 600 lb.

Cover: Startex™ inner cover, reversible Startex™ outer cover on stock sizes.



Libra™ Cushion

Libra™ Cushions are designed with the highest level of skin protection, positioning and adjustability for unique user needs. Contoured HR foam base designed for off-loading and pelvic stability, 3 chamber, maintenance-free fluid overlay for maximum protection around bony prominences. Highly flexible Platilon inner liner provides an extra layer of moisture protection. Recommended for those at highest risk or with existing skin breakdown.

Width: 21", 22", 23", 24"

Depth: 18", 20", 22"

Weight Capacity: 500 lb.

Cover Options: Startex™ (shown), Spacer Mesh, Infection Control (wipeable)



PSP Heavy-Duty

PSP (Posture Seat Polymer) cushion combines lightweight, stability and support of the PS foam base with a polymer overlay for superior protection, positioning and shear reduction. The inner cover and reversible outer cover (available on stock sizes) offer an additional moisture barrier preventing fluids or contaminants reaching the foam.

Width: 22", 24", 26" - Stock (up to 30" - Special)

Depth: 18", 20", 22" - Stock (up to 30" - Special)

Weight Capacity: 600 lb.

Cover: Startex™ inner cover, reversible Startex™ outer cover on stock sizes.



Libra™ Adjust Cushion

Libra™ Adjust Cushion includes 2 additional Fluid Supplement Packs to create deep contour pelvic well.

Width: 21", 22", 23", 24"

Depth: 18", 20", 22"

Weight Capacity: 500 lb.

Cover Options: Startex™ (shown), Spacer Mesh, Infection Control (wipeable)



Vi Heavy-Duty Cushion

Vi Cushion combines a 3-Layer HR molded foam with viscoelastic pelvic relief zone and is designed to provide skin protection and positioning for individuals at moderate to high risk of skin breakdown. The inner cover offers an additional moisture barrier preventing fluids or contaminants reaching the foam.

Width: 21" - 30"

Depth: 21" - 26"

Weight Capacity: 600 lb.

Cover: Startex™ inner cover, Moisture resistant, breathable Meshtex outer cover.

HEAVY-DUTY BACKS



Elite™ Heavy-Duty Back

Elite HD Back utilizes reinforced aluminum back shell for Bariatric users.

Width: 21", 22", 23", 24" - Stock (up to 30" - Special)

Height: 16", 20"

Weight Capacity: 500 lb.

Extra Wide PB Heavy-Duty Backs are available up to 30" W x 16" or 20" H

Contour Depth: 3"

Standard Hardware: Heavy-Duty Easy Set

Hardware Options: Fixed Space Saver, Split



Elite™ Deep Heavy-Duty Back

Elite Deep HD Back is designed with deep contour for additional midline support and positioning.

Width: 21" - 24"

Height: 16", 18", 20"

Weight Capacity: 500 lb.

Contour Depth: 6"

Standard Hardware: Heavy-Duty Easy Set

Hardware Options: Fixed Space Saver, Split



Elite™ TR Heavy-Duty Back

Elite TR HD Back is ideal for Tilt or Tilt/Recline applications. Back shell formed to include scapula support and SuperSoft foam for extra immersion and comfort.

Width: 21" - 24"

Height: 20"

Weight Capacity: 500 lb.

Contour Depth: 3"

Made with SuperSoft Foam: (Dual density, 1" firm + 1" soft HR foam combination)

Standard Hardware: Heavy-Duty Easy Set

Hardware Options: Fixed Space Saver, Split



PB Heavy-Duty Back

PB HD Back utilizes an aluminum shell with molded HR foam. Gently contoured shape with full wrap-around upholstery.

Width: 20", 22", 24"

Height: 16", 20"

Weight Capacity: 500 lb.

Extra Wide PB Heavy-Duty Backs are available up to 30" W x 16" or 20" H

Contour Depth: 5"

Standard Hardware: Heavy-Duty Easy Set

Hardware Options: Fixed Space Saver, Split



PB Deep Heavy-Duty Back

PB Deep HD Back utilizes an aluminum shell with molded HR foam. Offers extra deep contour for midline support and stability.

Width: 20", 22", 24"

Height: 16", 20"

Weight Capacity: 500 lb.

Extra Wide PB Deep Heavy-Duty Backs are available up to 30" W x 16" or 20" H

Contour Depth: 7"

Standard Hardware: Heavy-Duty Easy Set

Hardware Options: Fixed Space Saver, Split



Heavy-Duty EasySet



Split



Fixed EasySet

Hardware Options

Heavy-Duty EasySet Hardware

Standard on all Heavy-Duty Elite and Posture Backs. Provides 40° Angle, 4" depth and even rotation adjustment

Split Hardware

Allows clearance of back cane rigidizer bars or other obstacles.

Fixed EasySet Hardware

Recommended for tilt/recline applications

LOXX™ HEADREST HARDWARE

Accessories

new



Loxx™ Headrest Hardware

Easy and intuitive, tool-free lever adjustment of pad position in all directions

LOXX™ Hardware: Dual pivot balls and slide bar for optimal pad orientation as well as curved vertical post for easy lateral or forward mounting positions.

Vertical Post - 11" Mini and 15" Standard



Safety Tip

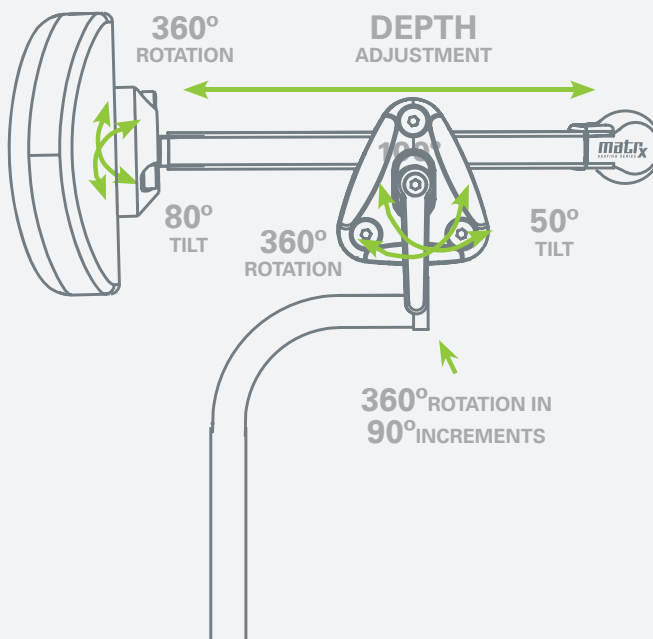
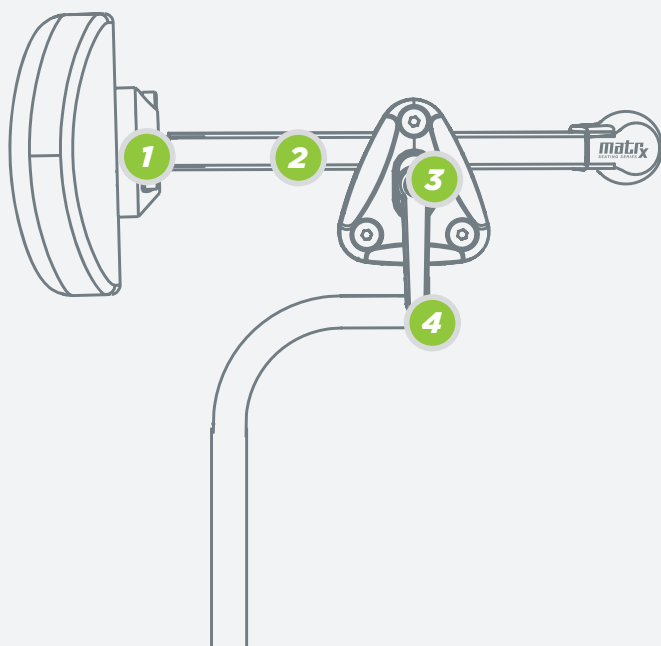


Tool-free Adjustment lever



Ergonomic Knob

LOXX™ HARDWARE - 4-POINT ADJUSTMENT



ELAN® HEADREST HARDWARE



Elan® Headrest Hardware

Compact, lightweight and elegant.

Elan Hardware: Highly adjustable through pivot ball joints and multi-disk locking plates. Tool-free adjustment levers included for easy fitting and position changes. Elan Extended hardware with extra 3" link for extended reach is also available.

Standard - two - 3" links

Extended - three - 3" links

Vertical Post - 11" Mini and 15" Standard



Co-molded Dual Density Foam



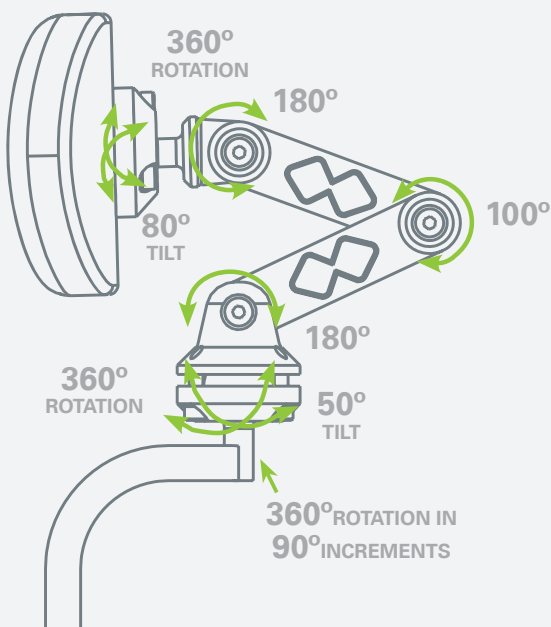
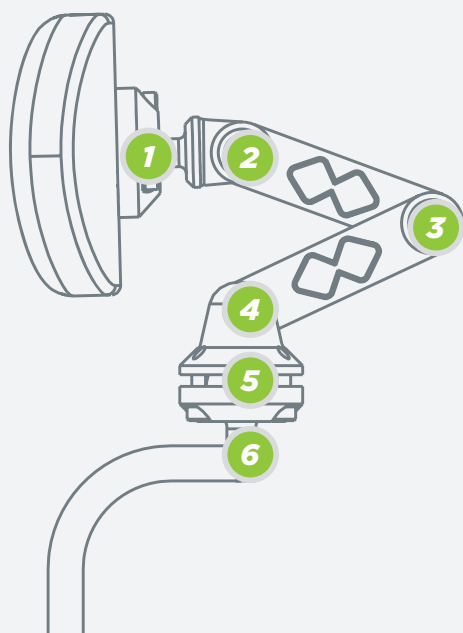
Tool-free Adjustment levers



Ergonomic Knob

Accessories

ELAN® HARDWARE - 6-POINT ADJUSTMENT



HEADREST PAD OPTIONS



Standard Pad

Covers - Standard (Startex) or Infection Control (reverse Startex). Pad covers are easily removed for cleaning.

Pad Sizes:

- 6" Pad:** 6" x 3.5"
- 10" Pad:** 10" x 5"
- 14" Pad:** 14" x 5"



4 Point Pad

Covers - Standard (Startex) or Infection Control (reverse Startex). Pad covers are easily removed for cleaning.

Pad Sizes:

- Small Pad:** 9" x 7"
- Large Pad:** 11" x 10"



Occipital Pad

Covers - Standard (Startex) or Infection Control (reverse Startex). Pad covers are easily removed for cleaning.

Pad Sizes:

- 9" Pad:** 9" x 7"
- 12" Pad:** 12" x 8"



Elan headband

Comfortable neoprene forehead support. Easy keyhole attachment for ease of application. Inside of band includes slip resistant surface.



Aluminum backing plate can be formed to desired contour for maximum function and support



C0-molded dual density HR foam wraps around the backing plate for maximum comfort and protection, can be easily removed for modification, and are made with Ultra-fresh™ antimicrobial additive



BUILT IN PROTECTION

Protection



Matrx® FOAM



- Matrx® green foam made with Ultra-Fresh™ antimicrobial and anti-fungal additives
- Moulded foam may be wiped clean with wet cloth

Matrx® INNER COVER

- Startex Inner Cover – wipeable and machine washable offering an additional moisture barrier
- Inner cover included with Matrx® cushions
- Stands up to repeated use of hospital grade disinfectants



Matrx® OUTER COVER



- Infection control Startex™ Covers available for ALL Matrx cushions, backs and Elan headrest pads
- Reversible Startex outer cover standard on Matrx® PS/PSP cushions

INFECTION CONTROL COVERS



Protect Slipcovers

Shower cap style slipcovers are easy to apply and remove.

Welded seams for advanced Infection control, and machine-washable at temperatures required to kill bacteria and viruses.

Fits Matrx Elite, E2 and TR Back models and ALL Matrx Cushions



Why?

- Make infection prevention and control simple
- Address contact mode of infection transmission
- Compatible with hospital-grade disinfecting wipes
- Great solution for long-term care facilities and protection of loaner equipment
- Allow the seating clinics to be compliant with infection control protocols
- Ideal for wheelchair users attending hospital appointments
- Slipcovers are easily applied and removed when needed

Infection Control Cover with Zipper

Zippered Infection Control covers are the best choice for clients with incontinence. Welded seams for advanced Infection control, and machine-washable at temperatures required to kill bacteria/viruses.

Available for ALL Matrx cushions, backs and Elan headrest pads



Infection Control

For more information on Invacare Matrix
Seating Series Products visit
www.motionconcepts.com
www.invacare.com

Invacare Corporation
www.invacare.com

USA

One Invacare Way
Elyria, Ohio
44035-4190
(800) 333-6900

Canada

570 Matheson Blvd. E.
Unit 8
Mississauga, Ontario
L4Z 4G4 Canada
(800) 668-5324

Motion Concepts

www.motionconcepts.com
info@motionconcepts.com

USA

700 Ensminger Rd., Suite 112
Tonawanda, NY 14150
(888) 433-6818
Fax: (888) 433-6834

Canada

84 Citation Dr., Unit 1-7
Concord, ON L4K 3C1
(866) 748-7943
(905)-695-0134
Fax: 905-695-0138

© 2021

Invacare Corporation.
All rights reserved.
Trademarks are identified
by the symbols ™ and ®.
All trademarks are owned
by or licensed to Invacare
Corporation unless otherwise
noted. Matrix is a registered
trademark of Motion Concepts.
Ultra-Fresh is a registered
trademark of Thomson
Research Associates, Inc.
Specifications are subject to
change without notification.
Job #211218 / Form #15-219
rev 12/21

