

# Invacare® Reliant™ 450/600

RPL450-1, RPL600-1

en

## **Battery-Powered Patient Lift**

User Manual, page 3

fc-ca

## **Lève-personne à batterie**

Manual de l'Utilisateur, page 73

asp

## **Elevador de pacientes alimentado por batería**

Manual de Usuario, página 141



This manual **MUST** be given to the user of the product.

**BEFORE** using this product, this manual **MUST** be read and saved for future reference.

**PROVIDER:** Keep this manual.

The procedures in this manual **MUST** be performed by a qualified technician.



**Yes, you can.**

© 2022 Invacare Corporation

All rights reserved. Republication, duplication or modification in whole or in part is prohibited without prior written permission from Invacare.

Trademarks are identified by ™ and ®. All trademarks are owned by or licensed to Invacare Corporation or its subsidiaries unless otherwise noted.

Invacare reserves the right to alter product specifications without further notice.

Making Life's Experiences Possible is a registered trademark in the U.S.A.

Tous droits réservés. La réédition, la reproduction ou la modification du présent document en tout ou en partie est interdite sans l'autorisation écrite d'Invacare.

Les marques de commerce sont indiquées par les symboles ™ et ®. Toutes les marques de commerce sont la propriété d'Invacare Corporation ou de ses filiales, ou leur ont été accordées sous licence, à moins d'indication contraire.

Invacare se réserve le droit de modifier les spécifications du produit sans préavis.

Making Life's Experiences Possible est une marque déposée américaine.

Todos los derechos reservados. Queda prohibido volver a publicar, copiar o modificar el presente documento, en parte o por completo, sin el previo consentimiento por escrito de Invacare.

Las marcas comerciales se identifican con ™ y ®. Todas las marcas comerciales son propiedad de Invacare Corporation o de sus filiales, o bien Invacare Corporation o sus filiales cuentan con las correspondientes licencias, a menos que se estipule lo contrario.

Invacare se reserva el derecho de modificar las especificaciones del producto sin previo aviso.

Making Life's Experiences Possible es una marca comercial registrada en EE. UU.

---

# Contents

---

<b>1 General</b> .....	<b>5</b>
1.1 Symbols .....	5
1.1.1 Warnings .....	5
1.1.2 Other Symbols .....	5
1.2 Service Life .....	6
1.3 Limited Warranty .....	6
<b>2 Safety</b> .....	<b>8</b>
2.1 General Guidelines .....	8
2.2 Operating Information .....	9
2.2.1 General .....	9
2.2.2 Pinch Points and Positioning .....	10
2.2.3 Lift Assembly .....	10
2.2.4 Lift Operation .....	10
2.2.5 Using the Sling .....	11
2.2.6 Lifting the Patient .....	12
2.2.7 Transferring the Patient .....	13
2.2.8 Maintenance .....	13
2.2.9 Electrical and Grounding .....	14
2.2.10 Disposal .....	14
2.3 Radio Frequency Interference .....	15
<b>3 Product Labeling</b> .....	<b>16</b>
<b>4 Technical Data</b> .....	<b>17</b>
4.1 Patient Lift .....	17
4.2 Full-Body, Divided-Leg, and Toileting Slings .....	18
4.3 Reliant Scale RLS6 .....	19
<b>5 Assembly</b> .....	<b>20</b>
5.1 Assembling the Patient Lift .....	20
5.1.1 Unpacking the Patient Lift .....	20
5.1.2 Assembling the Mast to the Base .....	21
5.1.3 Assembling the Actuator to the Boom .....	23
5.2 Installing the Shifter Handle .....	24
<b>6 Operation</b> .....	<b>25</b>
6.1 Operating the Patient Lift .....	25
6.1.1 Closing/Opening the Legs of the Base Assembly .....	25
6.1.2 Raising/Lowering the Electric Lift .....	27
6.1.3 Activating a Mechanical Emergency Release .....	28
6.1.4 Performing an Emergency Stop .....	29
6.2 Mounting the Battery Charger .....	29
6.2.1 Charging the Battery .....	31
<b>7 Patient Lifting</b> .....	<b>33</b>
7.1 Preparing the Lift for Use .....	33
7.1.1 Positioning the Lift for Use .....	33
7.1.2 Attaching Slings to the Lift .....	34
7.2 Lifting/Moving the Patient .....	35
<b>8 Patient Transferring</b> .....	<b>38</b>
8.1 Transferring the Patient for Using a Commode Chair or Standard Commode .....	38
8.1.1 Transferring to a Commode Chair .....	40
8.1.2 Transferring to a Standard Commode .....	41
8.2 Transferring the Patient to a Bathing Unit .....	42
8.3 Transferring the Patient to a Wheelchair .....	43
<b>9 Troubleshooting</b> .....	<b>46</b>
9.1 Troubleshooting .....	46

<b>10 Maintenance</b>	<b>49</b>
10.1 Maintenance Safety Inspection Checklist	49
10.2 Lubricating the Lift	52
10.3 Detecting Wear and Damage	52
10.4 Cleaning the Sling and Lift	52
10.5 Replacing the Boom Actuator	53
10.5.1 Checking and Tightening the Mast Pivot Bolt	54
10.6 Replacing the Hanger Bar	55
10.7 Maintaining the Base Adjustment	57
10.8 Replacing the Casters and Forks	58
10.8.1 Replacing the Rear Casters	58
10.8.2 Replacing the Front Casters	59
10.8.3 Replacing the Forks	59
<b>11 Accessories</b>	<b>60</b>
11.1 Reliant Scale RLS6	60
11.1.1 Removing the Hanger Bar	60
11.1.2 Installing the Reliant Scale	62
11.2 Operating the Scale	64
11.2.1 Keypad Functions	64
11.3 Weighing the Patient	65
11.4 Replacing the Battery	68
11.5 Calibrating the Reliant Scale	68
11.6 Troubleshooting	70
11.6.1 Display Codes	70

# 1 General

## 1.1 Symbols

### 1.1.1 Warnings

Signal words are used in this manual and apply to hazards or unsafe practices which could result in personal injury or property damage. See the information below for definitions of the signal words.



#### **DANGER!**

-Danger indicates an imminently hazardous situation which, if not avoided, will result in death or serious injury.



#### **WARNING!**

-Warning indicates a potentially hazardous situation which, if not avoided, could result in death or serious injury.



#### **ATTENTION!**

-Caution indicates a potentially hazardous situation which, if not avoided, may result in property damage or minor injury or both.



-Indicates a hazardous situation that could result in damage to property if it is not avoided.



Gives useful tips, recommendations and information for efficient, trouble-free use.

### 1.1.2 Other Symbols



Date of fabrication

## 1.2 Service Life

Lift—the expected service life is eight years, presuming the product is used daily and in accordance with safety instructions and maintenance instructions stated in this manual.

Sling—refer to the Sling User Manual for expected service life information.

## 1.3 Limited Warranty



THE WARRANTY BELOW HAS BEEN DRAFTED TO COMPLY WITH FEDERAL LAW APPLICABLE TO PRODUCTS MANUFACTURED AFTER JULY 4, 1975.

This warranty is extended only to the original purchaser/user of our products.

This warranty gives you specific legal rights and you may also have other legal rights which vary from state to state.

Invacare warrants the products manufactured to be free from defects in materials and workmanship for a period of three years on the lift and one year on the slings, hydraulic pump / electric components from the date of purchase. If within such warranty period any such product shall be proven to be defective, such product shall be repaired or replaced, at Invacare's option. This warranty does not include any labor or shipping charges incurred in replacement part installation or repair of any such product. Invacare's sole obligation and your exclusive remedy under this warranty shall be limited to such repair and/or replacement.

For warranty service, please contact the dealer from whom you purchased your Invacare product. In the event you do not receive satisfactory warranty service, please write directly to Invacare at the address on the back cover, provide dealer's name, address, date of purchase, indicate nature of the defect.

Invacare Corporation will issue a serialized return authorization. The defective unit or parts MUST be returned for warranty inspection using the serial number, when applicable as identification within 30 days of return authorization date. Do not return products to our factory without our prior consent.

C.O.D. shipments will be refused; please prepay shipping charges.

LIMITATIONS AND EXCLUSIONS: THE FOREGOING WARRANTY SHALL NOT APPLY TO SERIAL NUMBERED PRODUCTS IF THE SERIAL NUMBER HAS BEEN REMOVED OR DEFACED, PRODUCTS SUBJECTED TO NEGLIGENCE, ACCIDENT, IMPROPER OPERATION, MAINTENANCE OR STORAGE, PRODUCTS MODIFIED WITHOUT INVACARE'S EXPRESS WRITTEN CONSENT (INCLUDING, BUT NOT LIMITED TO, MODIFICATION THROUGH THE USE OF UNAUTHORIZED PARTS OR ATTACHMENTS; PRODUCTS DAMAGED BY REASON OF REPAIRS MADE TO ANY COMPONENT WITHOUT THE SPECIFIC CONSENT OF INVACARE, OR TO A PRODUCT DAMAGED BY CIRCUMSTANCES BEYOND INVACARE'S CONTROL, AND SUCH EVALUATION WILL BE SOLELY DETERMINED BY INVACARE. THE WARRANTY SHALL NOT APPLY TO PROBLEMS ARISING FROM NORMAL WEAR OR FAILURE TO ADHERE TO THE INSTRUCTIONS IN THIS MANUAL.

THE FOREGOING WARRANTY IS EXCLUSIVE AND IN LIEU OF ANY OTHER EXPRESS WARRANTIES. IMPLIED WARRANTIES, IF ANY, INCLUDING THE IMPLIED WARRANTIES OF MERCHANTABILITY AND FITNESS FOR A PARTICULAR PURPOSE, SHALL NOT EXTEND BEYOND THE DURATION OF THE EXPRESSED WARRANTY PROVIDED HEREIN AND THE REMEDY FOR VIOLATIONS OF ANY IMPLIED WARRANTY SHALL BE LIMITED TO REPAIR OR REPLACEMENT OF THE DEFECTIVE PRODUCT PURSUANT TO THE TERMS CONTAINED HEREIN. INVACARE SHALL NOT BE LIABLE FOR ANY CONSEQUENTIAL OR INCIDENTAL DAMAGES WHATSOEVER. SOME STATES DO NOT ALLOW EXCLUSION OR LIMITATION OF INCIDENTAL OR CONSEQUENTIAL DAMAGE, OR LIMITATION ON HOW LONG AN IMPLIED WARRANTY LASTS, SO THE ABOVE EXCLUSIONS AND LIMITATIONS MAY NOT APPLY TO YOU. THIS WARRANTY SHALL BE EXTENDED TO COMPLY WITH STATE OR PROVINCIAL LAWS AND REQUIREMENTS.

## 2 Safety

The Safety section contains important information for the safe operation and use of this product.

### 2.1 General Guidelines

**WARNING!**

DO NOT use this product or any available optional equipment without first completely reading and understanding these instructions and any additional instructional material such as user manuals, service manuals or instruction sheets supplied with this product or optional equipment. If you are unable to understand the warnings, cautions or instructions, contact a healthcare professional, provider or technical personnel before attempting to use this equipment; otherwise, injury or damage may occur.

**ACCESSORIES WARNING**

Invacare products are specifically designed and manufactured for use in conjunction with Invacare accessories. Accessories designed by other manufacturers have not been tested by Invacare and are not recommended for use with Invacare products.



THE INFORMATION CONTAINED IN THIS DOCUMENT IS SUBJECT TO CHANGE WITHOUT NOTICE.

Check all parts for shipping damage before using. In case of damage, DO NOT use the equipment. Contact the Dealer for further instructions.



## 2.2 Operating Information

### 2.2.1 General



#### **WARNING!**

- The Invacare patient lift is NOT a transport device. It is intended to transfer an individual from one resting surface to another (such as a bed to a wheelchair).
- DO NOT attempt any transfer without approval of the patient's physician, nurse, or medical assistant. Thoroughly read the instructions in this user manual, observe a trained team of experts perform the lifting procedures, and then perform the entire lift procedure several times with proper supervision and a capable individual acting as a patient.
- Use common sense in all lifts. Special care MUST BE taken with people with disabilities who cannot cooperate while being lifted.
- Invacare slings and patient lift accessories are specifically designed to be used in conjunction with Invacare patient lifts. Slings and accessories designed by other manufacturers are not to be utilized as a component of the Invacare patient lift system.
- If the patient lift is exposed to extreme temperature (above 100°F or below 32°F), high humidity, and/or becomes wet prior to use, ensure the handgrips do not twist on the patient lift handle; otherwise, damage or injury may occur.

## 2.2.2 Pinch Points and Positioning



### WARNING!

- Be aware of pinch points, such as between the boom and hanger bar and at the base of the lift, to prevent pinching fingers.
- When positioning the lift, be aware of the position of the hanger bar and the patient. Injury could occur.

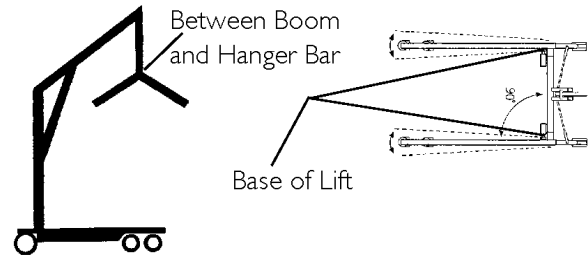


Fig. 2-1

## 2.2.3 Lift Assembly



### WARNING!

- DO NOT overtighten the mounting hardware. This will damage the mounting brackets.

## 2.2.4 Lift Operation



### WARNING!

- Although Invacare recommends that two assistants be used for all lifting preparation and transferring-from and transferring-to procedures, our equipment will permit proper operation by one assistant. The use of one assistant is based on the evaluation of the healthcare professional for each individual case.
- Make sure there is an audible click when mounting the battery on the battery charger to confirm proper mounting; otherwise, injury or damage may occur.
- DO NOT exceed the maximum weight limitation of the patient lift. The weight limitation for the RPL450-1 is 450 lb; the weight limitation for the RPL600-1 is 600 lb.
- ALWAYS keep hands and fingers clear of moving parts to avoid injury.

## 2.2.5 Using the Sling



### **WARNING!**

- Use an Invacare-approved sling recommended by the individual's doctor, nurse or medical assistant for the comfort and safety of the individual being lifted.
- DO NOT use any kind of plastic-back incontinence pad or seating cushion between the patient and the sling material that may cause the patient to slide out of the sling during transfer.
- After each laundering (in accordance with instructions on the sling), inspect the sling(s) for wear, tears, and loose stitching.
- Bleached, torn, cut, frayed, or broken slings are unsafe and could result in injury. Discard them immediately.
- DO NOT alter the slings.
- Be sure to check the sling attachments each time the sling is removed and replaced to ensure it is properly attached before the patient is removed from a stationary object (bed, chair, or commode).
- If the patient is in a wheelchair, secure the wheel locks in place to prevent the chair from moving forward or backward.
- When connecting slings equipped with color-coded straps to the patient lift, the shortest of the straps MUST be at the back of the patient for support. Using the long section will leave little or no support for the patient's back. The loops of the sling are color coded and can be used to place the patient in various positions. The colors make it easy to connect both sides of the sling equally. Make sure there is sufficient head support when lifting a patient.

### 2.2.6 Lifting the Patient

**WARNING!**

- When using an adjustable-base lift, the legs MUST be in the maximum Opened/Locked position before lifting the patient.
- When elevating a few inches off the surface of the stationary object (wheelchair, commode, or bed) and before moving the patient, check again to make sure the sling is properly connected to the hooks of the hanger bar. If any attachments are not properly in place, lower the patient back onto the stationary object (wheelchair, commode, or bed) and correct the attachments.
- Adjustments for safety and comfort should be made before moving the patient. The patient's arms should be inside of the straps.
- Invacare slings are made specifically for use with Invacare patient lifts. For the safety of the patient, DO NOT intermix slings and patient lifts of different manufacturers. The warranty will be voided.
- Check the sling attachments each time the sling is removed and replaced to ensure it is properly attached before the patient is removed from a stationary object (bed, chair or commode).
- During transfer, with the patient suspended in a sling attached to the lift, DO NOT roll the caster base over uneven surfaces that could cause the patient lift to tip over. Use the steering handle on the mast at all times to push or pull the patient lift.
- Invacare does not recommend locking the rear casters of the patient lift when lifting an individual. Doing so could cause the lift to tip and endanger the patient and assistants. Invacare does recommend leaving the rear casters unlocked during lifting procedures to allow the patient lift to stabilize itself when the patient is initially lifted from a chair, bed, or any stationary object.

## 2.2.7 Transferring the Patient



### **WARNING!**

To reduce the risk of injury or damage:

- When elevated a few inches off the surface of the stationary object (wheelchair, commode, or bed) and before moving the patient, check again to make sure the sling is properly connected to the hooks of the hanger bar. If any attachments are not properly in place, lower the patient back onto the stationary object (wheelchair, commode, or bed) and correct the attachments.
- Wheelchair wheel locks **MUST** be in a locked position before lowering the patient into the wheelchair for transport.
- Before transferring, check that the wheelchair weight capacity can withstand the patient's weight.
- Be sure to check the sling attachments each time the sling is removed and replaced to ensure it is properly attached before the patient is removed from the bed or chair.
- The mast pivot under the rubber boot must be tight to ensure safe use of the patient lift. The bolt must be checked at least every six months in conjunction with periodic maintenance.

## 2.2.8 Maintenance



### **WARNING!**

- Maintenance **MUST** be performed **ONLY** by qualified personnel.
- The pump is sealed at the factory. **DO NOT** attempt to open the pump or obtain local service as this will **VOID** the warranty and might result in damage. Consult your dealer or contact Invacare for more information.
- After the first year of use, the hooks of the hanger bar and the mounting brackets of the boom should be inspected every three months to determine the extent of wear. If these parts become worn, they must be replaced.
- Casters and axle bolts must be inspected every six months to check for tightness and wear. After the first 12 months of operation, inspect the hanger bar and the eye of the boom to which it attaches for wear. If the metal is worn, the parts **MUST** be replaced. Repeat this inspection every six months thereafter.
- Regular maintenance of patient lifts and accessories is necessary to assure proper operation.
- DO NOT** overtighten the mounting hardware. This will damage the mounting brackets.
- After the first six months of operation, inspect all pivot points and fasteners for wear. If the metal is worn, the parts **MUST** be replaced. Repeat this inspection every six months.

### 2.2.9 Electrical and Grounding

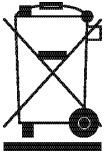


#### **WARNING!**

##### GROUNDING INSTRUCTIONS

- DO NOT, under any circumstances, cut or remove the round grounding prong from any plug used with or for Invacare products. Some devices are equipped with three-prong (grounding) plugs for protection against possible shock hazards. When a two-prong wall receptacle is encountered, it is the personal responsibility and obligation of the customer to contact a qualified electrician and have the two-prong receptacle replaced with a properly grounded three-prong wall receptacle in accordance with the National Electrical Code. If you must use an extension cord, use ONLY a three-wire extension cord having the same or higher electrical rating as the device being connected. In addition, Invacare has placed RED/ORANGE warning tags on some equipment. DO NOT remove these tags.
- Carefully read the battery/battery charger information prior to installing, servicing, or operating the patient lift.

### 2.2.10 Disposal



#### **WARNING!**

- This product has been supplied from an environmentally aware manufacturer that complies with the Waste Electrical and Electronic Equipment (WEEE) Directive 2002/96/CE.
- The device contains lead-acid batteries. DO NOT dispose of the batteries in normal household waste; they MUST be taken to a proper disposal site. Contact your local waste management company for information.
- This product may contain substances that could be harmful to the environment if disposed of in places (such as landfills) that are not appropriate according to legislation.
- Please be environmentally responsible and recycle this product through your recycling facility at its end of life.

## 2.3 Radio Frequency Interference




### **WARNING!**

#### **Risk of Injury or Damage**

-Most electronic equipment is influenced by Radio Frequency Interference (RFI). CAUTION should be exercised with regard to the use of portable communication equipment in the area around such equipment. If RFI causes erratic behavior, PUSH the Red Power Switch OFF IMMEDIATELY. DO NOT turn the Power Switch ON while transmission is in progress.

## 3 Product Labeling

**WARNING**



**BEFORE** using the Patient Lift, **READ** and **UNDERSTAND** the Owner's Manual for proper operation and safety procedures.

**WARNING**

**WEIGHT LIMITATION 450 lbs.**

The Invacare Patient lift is **NOT** a transport device.

**DO NOT** roll casters over uneven surfaces that may cause the Patient Lift to tip over.

**DO NOT** lock the casters of the Patient Lift when lifting an individual. Casters **MUST** be left unlocked to allow Patient Lift to stabilize during lifting procedures.


**USE ONLY** Invacare slings and lift accessories.

For maintenance and replacement, use only components designed for this patient lift model. See the product label for model information.

Customer Service  
1-800-333-6800

1072888 Rev C

**WARNING**



**BEFORE** using the Patient Lift, **READ** and **UNDERSTAND** the Owner's Manual for proper operation and safety procedures.

**WARNING**

**WEIGHT LIMITATION 600 lbs.**

The Invacare Patient lift is **NOT** a transport device.

**DO NOT** roll casters over uneven surfaces that may cause the Patient Lift to tip over.

**DO NOT** lock the casters of the Patient Lift when lifting an individual. Casters **MUST** be left unlocked to allow Patient Lift to stabilize during lifting procedures.

**USE ONLY** Invacare slings and lift accessories.

For maintenance and replacement, use only components designed for this patient lift model. See the product label for model information.

Customer Service  
1-800-333-6800

1072965 Rev B

**WARNING**

Most pivot **MUST** be tight to ensure safe use of your patient lift. Bolt **MUST** be checked at least every six (6) months in conjunction with periodic maintenance. See Owner's Manual.

PW 113620 Rev B

**Label Located on Sling**

Comfort Sling without  
Commode Opening



**WARNING**

**WEIGHT LIMITATION**  
The maximum weight limitation of the sling and patient lift is as follows. **DO NOT** exceed the maximum weight limitation of the sling or patient lift. **BEFORE** using the Sling, **READ** and **UNDERSTAND** the Owner's Manual for proper operation and safety procedures.

**WASHING INSTRUCTIONS**  
Water temperature of 180°F (82°C). **DO NOT** bleach. Air dry or dry at low temperature. Impact with each use.

180°F 82°C

Customer Service  
1-800-333-6800

**Yes, you can:**

- Use only on Invacare Lifts.
- Bleached, torn, wet, frayed or broken slings are unsafe and could result in injury. Cleaned **IMMEDIATELY**.
- DO NOT** alter slings.

Size	Spacer	Net	Weight Limitation
S	2466564	2466568	600 lb (272 kg)
M	2465777	2465999	500 lb (227 kg)
L	2465778	2465970	500 lb (227 kg)
XL	2461089	2465947	550 lb (250 kg)

**Comfort Sling without Commode Opening**

Name: \_\_\_\_\_

10888 Rev B

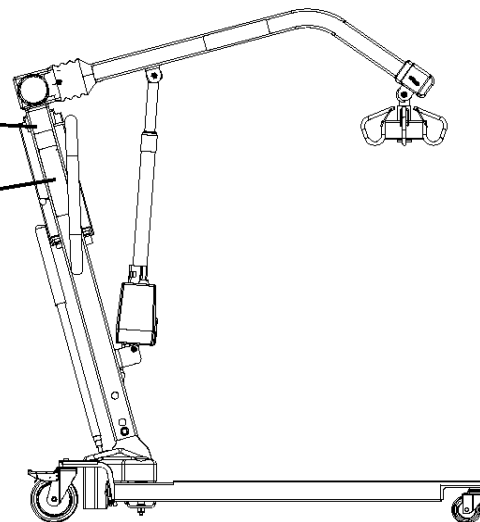


Fig. 3-1



## 4 Technical Data

### 4.1 Patient Lift

	450 LB	600 LB
	Low Profile RPL450-1	Low Profile RPL600-1
Height at Sling Hookup—Maximum	74 inches	68 inches
Height at Sling Hookup—Minimum	24 inches	28 inches
Base Width—Open	41.0 inches	
Base Width—Closed	26.5 inches	
Base Height (Clearance)	4.5 inches	
Base Length	48.0 inches	
Caster Size (Front/Rear)	3.0/5.0 inches	
Sling Options	3 styles	1 style
Weight Capacity	450 lb	600 lb
Weight IN Carton	133 lb	138 lb
Weight OUT of Carton	106 lb	112 lb
Battery	24V DC (RCHBL)	
Charger Input	100-240V AC	
Charger Output/Charging Time	29.5V DC maximum 6 hours	
Accessories	Digital Scale	

Audio Low Battery Alarm	Yes
Motor Safety Devices	Anti-Entrapment
Approximate Lifts per Charge (varies depending upon load and stroke)	100-200 cycles per charge
Warranty Pump/Electronics	1 year

## 4.2 Full-Body, Divided-Leg, and Toileting Slings

Specification	Full Body			Full Body w/ Commode			Divided Leg				Toileting	Heavy Duty w/o Commode	Heavy Duty w/ Commode
	R110 R112*	R111 R113*	R114	R115	R116	R117*	R100P	R100 R1000*	R101 R1010*	R102	R121	R140*	R141*
Size	M	L	XL	M	L	XL	P	M	L	XL	L	N/A	N/A
Width	41.5	45.5	45.5	41.5	45.4	45.5	33	37.5	41	44.5	36	45	45
Commode Opening	N/A	N/A	N/A	8	8	9	N/A	N/A	N/A	N/A	N/A	N/A	13
Length	54.7	60.5	65.3	54.7	60.5	65.3	59.8	62.8	67.8	72.3	37	55	55
Commode Opening	N/A	N/A	N/A	11	11	13	N/A	N/A	N/A	N/A	N/A	N/A	13
Back	N/A	N/A	N/A	N/A	N/A	N/A	29.2	35.7	41.7	43.2	N/A	N/A	N/A
Weight Capacity (lb)	450	450	450	450	450	450	450	450	450	450	450	600	600



\*Slings are made of a mesh material. All dimensions are in inches except where noted.

### 4.3 Reliant Scale RLS6

Weight Range	Up to 600 lb (272.7 kg)
Resolution	+/- 0.2 lb (0.1 kg)
Display	Liquid Crystal Digital
Automatic Power Down	Two (2) minutes
Size	5 3/4 in L X 3 5/8 in W X 4 in H (14.6 X 9.2 X 10.2 cm)
Weight	.55 lb (.25 kg)
Power	Nine (9) volt alkaline battery (included)
Battery Life	Approximately 1500 readings
Temperature Range	50° to 104°F (10° to 40°C)

## 5 Assembly

### 5.1 Assembling the Patient Lift

**WARNING!**

-Use only Invacare parts in the assembly of the patient lift. The base legs, the mast, boom, pump assembly, and the hanger bar are manufactured to specifications that assure correct alignment of all parts for safe, functional operation.

#### 5.1.1 Unpacking the Patient Lift

1. Unpack the components from the shipping carton.



DO NOT remove the plastic wrap that secures the boom to the mast in place. The plastic wrap will be removed in 5.1.3 *Assembling the Actuator to the Boom*, page 23.

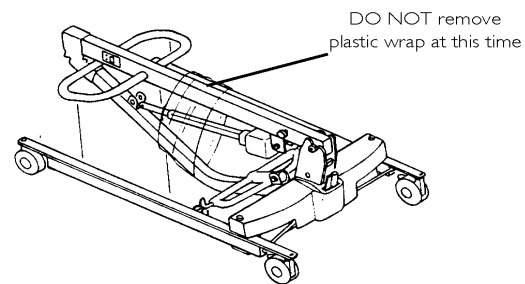


Fig. 5-1

### 5.1.2 Assembling the Mast to the Base

1. If locking-type casters are on the patient lift, lock them.
2. Remove the shoulder bolt, nut, and washer that secure the mast in the U-shape cutout of the base.
3. Position the mast in an upright position, and place the mast into the U-shaped cutout of the base.
4. Secure with a nut.

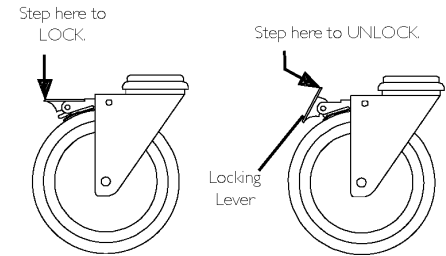
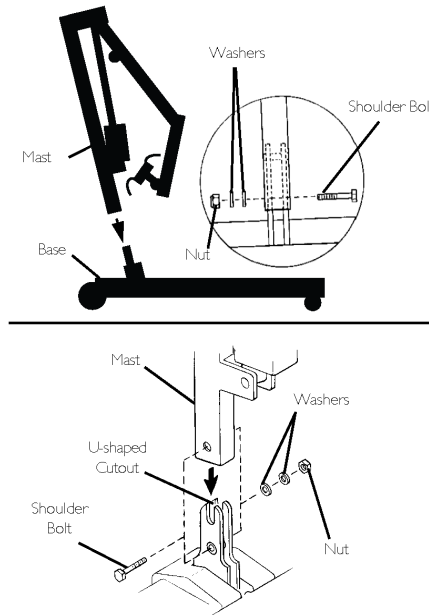


Fig. 5-2



*Fig. 5-3*



**WARNING!**


The mast may be removed from the base for storage or transport. Each time the mast is removed and returned to the base, the mast **MUST** be properly secured to the base assembly.

### 5.1.3 Assembling the Actuator to the Boom



#### CAUTION!

DO NOT overtighten the nut and bolt. This damages the mounting bracket.

1. Remove the shoulder bolt, washer, and nut from the mounting bracket on the boom assembly. Ensure the pre-installed bushings are in the actuator rod eye.
2. Unpack the pinch guard from the patient lift carton.
  -  The bottom of the electric actuator assembly will already be assembled to the mast mounting bracket.
3. Cut the plastic wrap that secures the boom and mast together.
4. Lift up on the boom and place it on your left shoulder.
5. Let the boom actuator rest on your shoulder and rotate the shaft extension of the actuator assembly until it lines up with the mounting holes in the boom assembly.

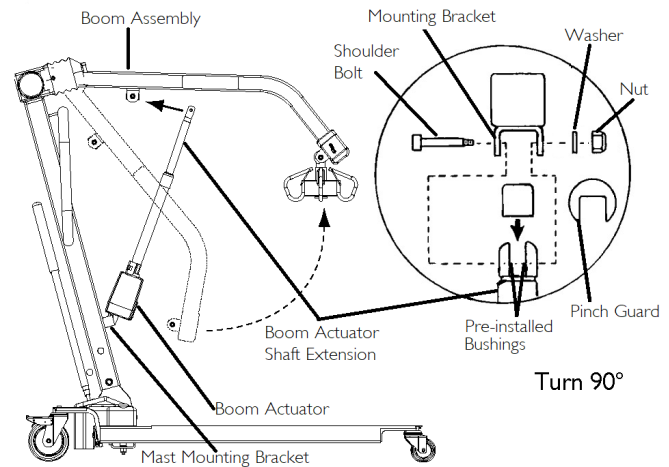




Fig. 5-4

6. Place the pinch guard over the shaft extension of the actuator.
7. Align the holes of the boom assembly mounting bracket with the actuator holes, and insert the bolt. Secure with a nut.
  -  Ensure the bolt is completely through the holes of the boom assembly mounting bracket and the actuator assembly. The boom assembly will pivot easily if the mounting hardware is aligned properly when the boom assembly is secured to the mast.
8. Plug the electrical connectors from the actuator to the bottom of the battery assembly.
9. Plug the hand control into the bottom of the battery assembly.
  -  The bottom of the actuator assembly will already be assembled to the mast mounting bracket.

## 5.2 Installing the Shifter Handle

1. Remove the shifter handle from the packaging carton.
2. Align the shifter handle threads with the threaded opening in the base.
3. Turn the shifter handle clockwise and securely tighten into the base.

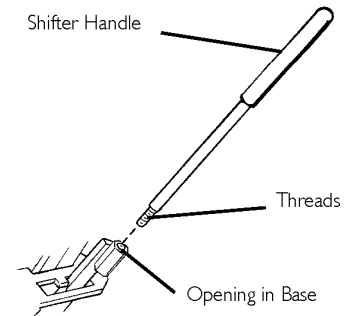


Fig. 5-5



## 6 Operation

### 6.1 Operating the Patient Lift



Although Invacare recommends that two assistants be used for all lifting preparation and transferring from and transferring to procedures, the equipment will permit proper operation by one assistant. The use of one assistant is based on the evaluation of the healthcare professional for each individual case.

#### 6.1.1 Closing/Opening the Legs of the Base Assembly

The shifter handle is used to open or close the legs of the base for stability when lifting a patient.



#### **WARNING!**

- The operation of the patient lift is an easy and safe procedure. DO NOT attempt any transfer without approval of the patient's physician, nurse, or medical assistant. Thoroughly read the instructions in this Owner's Manual, observe a trained team of experts performing the lifting procedures, and then perform the entire lift procedure several times with proper supervision and a capable individual acting as a patient.
- The legs of the lift must be in the maximum open position and the shifter handle locked in place for optimum stability and safety. If it is necessary to close the legs of the lift to maneuver the lift under a bed, close the legs of the lift only as long as it takes to position the lift over the patient and lift the patient off the surface of the bed. When the legs of the lift are no longer under the bed, return the legs of the lift to the maximum open position and immediately lock the shifter handle.

## Closing the Legs

1. Stand at the rear of the patient lift, grasp the shifter handle with one hand and place the opposite hand on the steering handle of the mast for balance.



The shifter handle **MUST** lock into its mounting slot to lock the legs in the fully closed position.



### WARNING!

-If the shifter handle is **NOT** positioned completely into its mounting slot, **DO NOT** use the patient lift until the shifter handle is properly seated and the legs of the patient lift are locked in place; otherwise, injury and/or damage may occur.

2. Pull the shifter handle away from the patient lift and then to your left until it locks in the notch of the bracket.

## Opening the Legs

1. Stand at the rear of the patient lift, grasp the shifter handle with one hand and place the opposite hand on the steering handle of the mast for balance.



The shifter handle **MUST** lock into its mounting slot to lock the legs in the full open position.

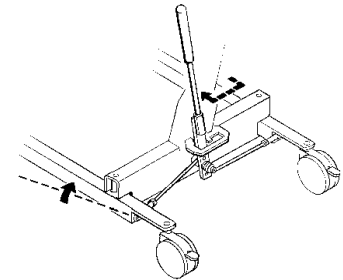


### WARNING!

-If the shifter handle is not positioned completely into its mounting slot, **DO NOT** use the patient lift until shifter handle is properly seated and the legs of the patient lift are locked in place; otherwise, injury and/or damage may occur.

2. Pull the shifter handle away from the patient lift and then to your right.

## Closing the Legs



## Opening the Legs

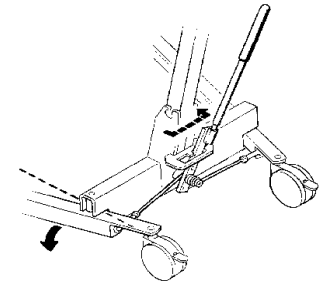



Fig. 6-1

### 6.1.2 Raising/Lowering the Electric Lift


**WARNING!**

-Invacare does not recommend locking the rear casters of the patient lift when lifting an individual. Doing so could cause the lift to tip and endanger the patient and assistants. Invacare does recommend that the rear casters be left unlocked during lifting procedures to allow the patient lift to stabilize itself when the patient is initially lifted from a chair, bed or any stationary object.

#### Raising the Electric Lift

Press the UP (  ) button to raise the boom and the patient.

#### Lowering the Electric Lift

Press the DOWN (  ) button to lower the boom and the patient.

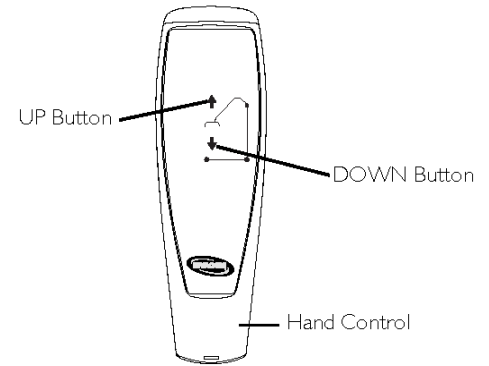


Fig. 6-2

### 6.1.3 Activating a Mechanical Emergency Release

#### Primary Emergency Release

To activate the primary emergency release, insert a pen into the hole labeled “emergency” on the control box of the lift and push down on the boom at the same time.

All lift actuators are equipped with a mechanical emergency release. The mechanical release enables the actuator to retract without power. The actuator will retract only while under load and the mechanical emergency release is pulled. The release is colored reddish orange with the word "Emergency" spelled out in white.

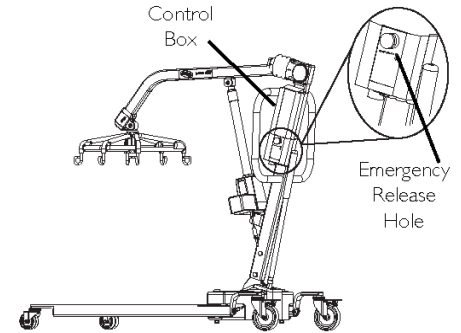



Fig. 6-3

#### Secondary Emergency Release

 It is recommended that the primary emergency release be used. The secondary emergency release is only a backup to the primary emergency release.

In cases where the primary release is either not functioning or is unreachable, a secondary emergency release may be used.

To activate the secondary release, pull up on the EMERGENCY grip and push down on the boom at the same time.

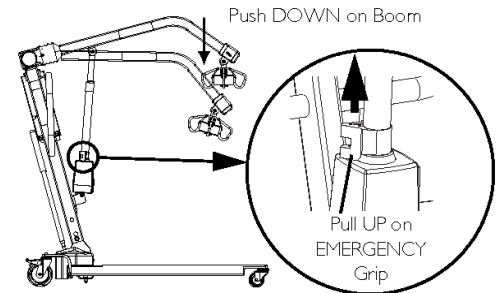


Fig. 6-4

### 6.1.4 Performing an Emergency Stop

Press the RED button on the control box to stop the lift arms and the patient from raising or lowering. Rotate the RED stop button clockwise to disengage the emergency stop.

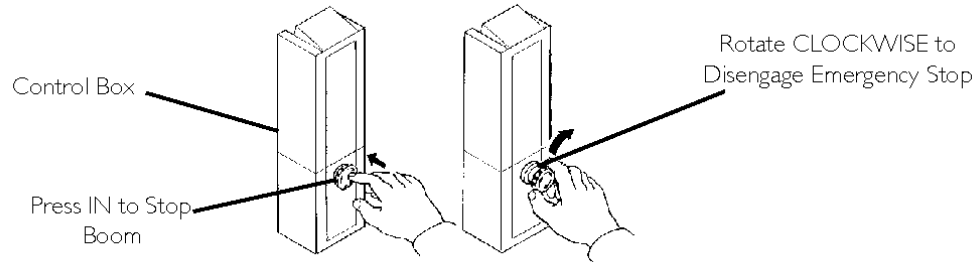


Fig. 6-5


### 6.2 Mounting the Battery Charger

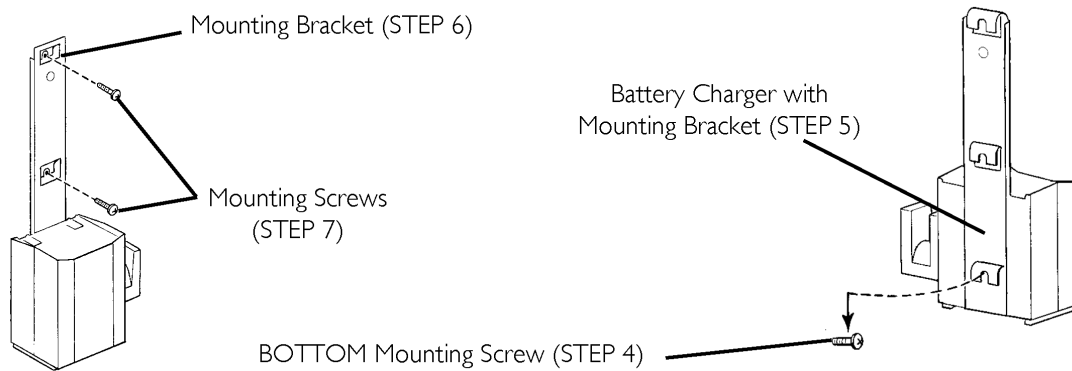


Refer to your local regulations concerning proper mounting procedures.

1. Place the battery charger with mounting bracket on the wall at the desired position.
2. With a pencil, mark the middle hole position.
3. Measure down 6½ inches from the pencil mark, and drill one mounting hole.
4. Install the bottom mounting screw until there is an approximate 1/8-inch gap between the screw head and the wall.
5. Install the battery charger with mounting bracket onto the bottom mounting screw.
6. Drill the remaining two mounting holes.
7. Install the two remaining mounting screws through the mounting bracket and into the wall. Tighten securely.


8. Plug the battery charger into the wall electrical outlet.

 The ON LED should illuminate.



*Fig. 6-6*

### 6.2.1 Charging the Battery

 Invacare recommends the battery be recharged daily to prolong battery life. An audible alarm will sound (horn will beep) when the battery is low.


1. Lift up on the handle on the back of the battery.
2. Lift the battery up and out, away from the control box.



#### CAUTION!

-Make sure there is an audible click when mounting the battery on the battery charger to confirm proper mounting; otherwise, injury or damage may occur.

3. Place the battery on the battery charger as shown. Make sure there is an audible click.

 The charge LED will illuminate. When charging is complete, the charge LED will stop illuminating. A full recharge will take approximately four hours.

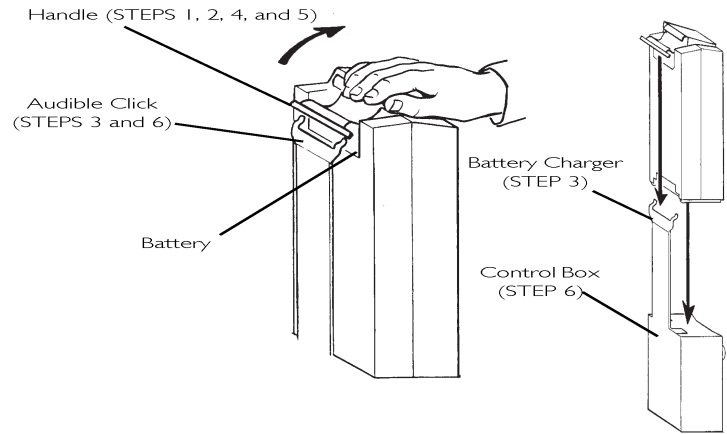


Fig. 6-7

4. Lift up on the handle on the back of the battery.
5. Lift the battery up and out, away from the battery charger.



**CAUTION!**

-Make sure there is an audible click when mounting the battery on the battery charger to confirm proper mounting; otherwise, injury or damage may occur.

6. Reinstall the battery onto the control box as shown. Make sure there is an audible click.




The battery mounts to the control box and battery charger as shown.




## 7 Patient Lifting

### 7.1 Preparing the Lift for Use

 Although Invacare recommends that two assistants be used for all lifting preparation, transferring from and transferring to procedures, our equipment will permit proper operation by one assistant. The use of one assistant is based on the evaluation of the healthcare professional for each individual case.

#### 7.1.1 Positioning the Lift for Use

 Refer to 2 *Safety, page 8* before proceeding and observe all warnings indicated. Before positioning the legs of the patient lift under a bed, make sure the area is clear of any obstructions.



#### **WARNING!**

-The legs of the lift must be in the maximum open position and the shifter handle must be locked in place for optimum stability and safety. If it is necessary to close the legs of the lift to maneuver the lift under a bed, close the legs of the lift only as long as it takes to position the lift over the patient and lift the patient off the surface of the bed. When the legs of the lift are no longer under the bed, return the legs of the lift to the maximum open position and immediately lock the shifter handle.

1. With the legs of the base open and locked, use the steering handle to push the patient lift into position.
2. Lower the patient lift for easy attachment of the sling.

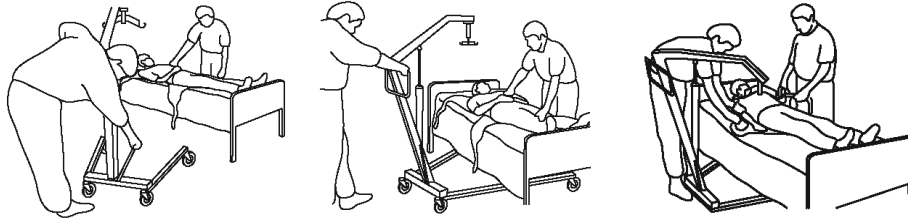


Fig. 7-1

### 7.1.2 Attaching Slings to the Lift

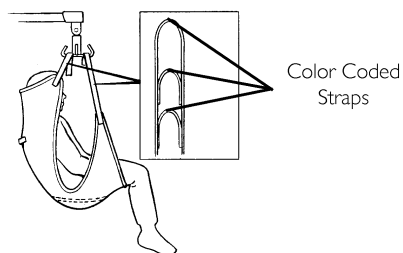
1. Place the straps of the sling over the hooks on the hanger bar.
2. Match the corresponding colors on each side of the sling for an even lift of the patient.



Model Nos. R110–R117 Full Body Slings and Model Nos. R120–R122 Toileting Slings have four sling straps. Model Nos. R100–R102 and Model Nos. R1000–R1010 Divided Leg Slings have six sling straps. Invacare Lift Hanger Bars have three hookup points per side. The middle hookup is used **ONLY** for slings that have three sets of straps per side.

3. Use the lift. Refer to 7.2 *Lifting/Moving the Patient*, page 35.

**DETAIL A - FULL BODY OR HEAVY DUTY  
SLING WITH OR WITHOUT COMMODE  
OPENING (FOUR STRAPS ONLY)**



**DETAIL B - DIVIDED LEG SLING WITH  
COMMODE OPENING (SIX STRAPS)**

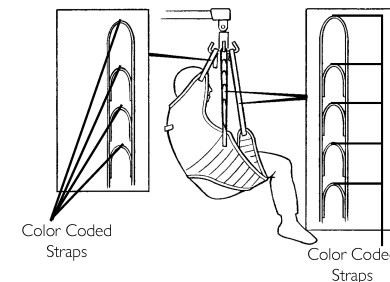



Fig. 7-2

## 7.2 Lifting/Moving the Patient



**WARNING!**

- DO NOT lock the rear casters of the patient lift when lifting an individual. Locking the rear casters could cause the patient lift to tip and endanger the patient and assistants.
- DO NOT move the patient if the sling is not properly connected to the hooks of the hanger bar. When the sling is elevated a few inches off of the stationary surface and before moving the patient, check again to make sure the sling is properly connected to the hooks of the hanger bar. If any attachments are NOT properly in place, lower the patient back onto the stationary surface and correct this problem; otherwise, injury or damage may occur.
- Adjust for safety and comfort before moving the patient.
- DO NOT use slings and patient lifts from different manufacturers. Invacare slings are made specifically for use with Invacare patient lifts. Injury or damage may occur.

1. Press the UP (  ) button to raise the patient high enough to clear the bed. The patient's weight will be fully supported by the patient lift.



The boom will stay in position until the boom DOWN (  ) button is pressed.



When the patient is lifted from the bed (with the patient's head supported by the sling and/or an assistant), he/she will be raised to a sitting position (Detail A).

2. Place the patient's arms inside the sling.





**WARNING!**

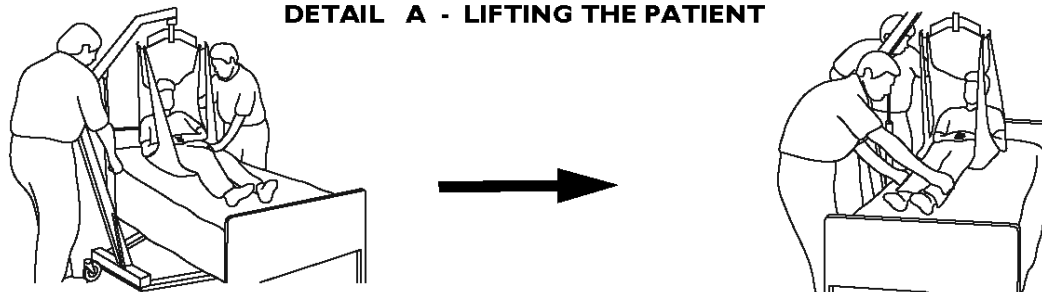
-When the sling is elevated a few inches off the surface of the bed and before moving the patient, check again to ensure the sling is properly connected to the hooks of the hanger bar. If any attachments are NOT properly in place, lower the patient back onto the stationary surface and correct this problem; otherwise, injury or damage may occur.

-Adjustments for safety and comfort should be made before moving the patient. The patient's arms should be inside of the straps.

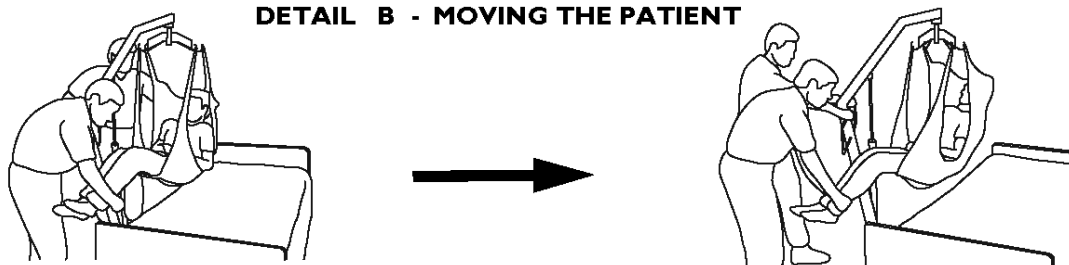
-Invacare slings are made specifically for use with Invacare Patient Lifts. For the safety of the patient, DO NOT use slings and patient lifts from different manufacturers.

3. When the patient is clear of the bed surface, swing his/her feet off the bed (Detail B).
4. Using the steering handle, move the lift away from the bed.
5. When moving the patient lift away from the bed, turn the patient so he/she faces the assistant operating the patient lift (Detail C).
6. Press the DOWN (  ) button to lower the patient until his/her feet rest on the base of the lift and straddle the mast.  
 The lower center of gravity provides stability, which makes the patient feel more secure and the lift easier to move.
7. Pull the patient lift away from the bed, and then push it from behind with both hands firmly on the steering handle.

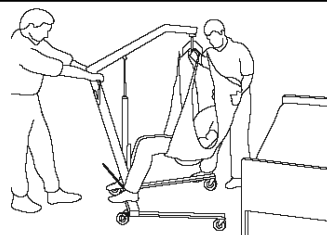
**DETAIL A - LIFTING THE PATIENT**



**DETAIL B - MOVING THE PATIENT**



**DETAIL C - MOVING  
THE PATIENT LIFT  
AWAY FROM THE BED**




*Fig. 7-3*


## 8 Patient Transferring

---

### 8.1 Transferring the Patient for Using a Commode Chair or Standard Commode

 Although Invacare recommends that two assistants be used for all lifting preparation, transferring from and transferring to procedures, our equipment will permit proper operation by one assistant. The use of one assistant is based on the evaluation of the healthcare professional for each individual case.

Slings with commode openings are designed to be used with either a commode chair or standard commode.

 Invacare recommends that the sling remain connected to the hanger bar hooks during the patient's use of either the commode chair or a standard commode.

Although Invacare recommends that two assistants be used for all lifting preparation, and transferring-from and transferring-to procedures, our equipment will permit proper operation by one assistant. The use of one assistant is based on the evaluation of the healthcare professional for each individual case.

**WARNING!**

- DO NOT attempt any transfer of a patient without approval of the patient's physician, nurse, or medical assistant.
- DO NOT move the patient if the sling is not properly connected to the hooks of the hanger bar. When the sling is a few inches off the stationary surface and before moving the patient, check to make sure the sling is properly connected to the hooks of the hanger bar. If any attachments are NOT properly in place, lower the patient back onto the stationary surface and correct this problem; otherwise, injury or damage may occur.
- Adjust for safety and comfort before moving the patient. The patient's arms should be inside the straps.
- DO NOT use slings and patient lifts from different manufacturers. Invacare slings are made specifically for use with Invacare patient lifts. Otherwise, injury or damage may occur.
- Be sure to check the sling attachments each time the sling is removed and replaced to ensure it is properly attached before the patient is removed from a bed or chair.
- DO NOT lock the rear casters of the patient lift when lifting an individual. Doing so could cause the lift to tip and endanger the patient and assistants. Invacare DOES recommend that the rear casters be left unlocked during lifting procedures to allow the patient lift to stabilize itself when the patient is initially lifted from a chair, bed, or any stationary object.
- Note the legs of the lift must be in the maximum open position and the shifter handle locked in place for optimum stability and safety. If it is necessary to close the legs of the lift to maneuver the lift under a bed, close the legs of the lift only as long as it takes to position the lift over the patient and lift the patient off the surface of the bed. When the legs of the lift are no longer under the bed, return the legs of the lift to the maximum open position and immediately lock the shifter handle.

### 8.1.1 Transferring to a Commode Chair

1. Before lifting the patient from the bed, refer to 7.1.2 *Attaching Slings to the Lift*, page 34. For operation of the patient lift, refer to 6 *Operation*, page 25.
2. Lift the patient from the bed. Refer to 7.2 *Lifting/Moving the Patient*, page 35.
3. Note the patient should be elevated high enough to clear the commode chair arms and have his/her weight supported by the patient lift.
4. With the help of both assistants, guide the patient onto the commode chair.
5. Lower the patient onto the commode chair, and leave the sling attached to the hanger bar hooks.
6. When complete, recheck for correct attachments and then raise the patient off the commode chair.
7. When the patient is clear of the commode surface, use the steering handles to move the lift away from the commode chair.
8. To return the patient to bed, reverse the procedures for lifting the patient, operation, and sling attachment.
9. To return or place the patient in a wheelchair, refer to 8.3 *Transferring the Patient to a Wheelchair*, page 43.

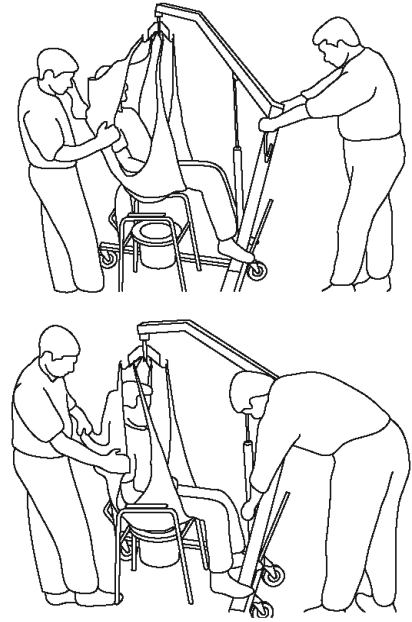


Fig. 8-1



### 8.1.2 Transferring to a Standard Commode



Although Invacare recommends two assistants be used for all lifting preparation and transferring from and transferring to procedures, the equipment will permit proper operation by one assistant. The use of one assistant is based on the evaluation of the healthcare professional for each individual case.

The Invacare patient lift is NOT intended as a transport device. If the bathroom facilities are NOT near the bed or if the patient lift cannot be easily maneuvered toward the commode, the patient MUST be transferred to a wheelchair and transported to the bathroom facilities before using the patient lift again to position the patient on a standard commode.

Refer to *8.3 Transferring the Patient to a Wheelchair, page 43*.

Before transferring the patient, the patient lift should be guided to the bathroom facilities to ensure it can be easily maneuvered toward the commode.

1. Before lifting the patient from the bed, refer to *7.1.2 Attaching Slings to the Lift, page 34*. For operation of the patient lift, refer to *6 Operation, page 25*.
2. Transport the patient to the bathroom facility.
3. Note the patient should be elevated high enough to clear the standard commode and have his/her weight supported by the patient lift.
4. With the help of both assistants, guide the patient onto the standard commode.
5. Lower the patient onto the standard commode, and leave the sling attached to the hanger bar hooks.
6. When complete, recheck for correct attachments and then raise the patient off the standard commode.
7. When the patient is clear of the standard commode surface, use the steering handle to move the lift away from the standard commode.
8. To return or place the patient in a wheelchair, refer to *8.3 Transferring the Patient to a Wheelchair, page 43*.
9. To return the patient to bed, reverse the procedures for patient lift, operation, and sling attachment.

## 8.2 Transferring the Patient to a Bathing Unit



Although Invacare recommends two assistants be used for all lifting preparation and transferring from and transferring to procedures, the equipment will permit proper operation by one assistant. The use of one assistant is based on the evaluation of the healthcare professional for each individual case.



### **WARNING!**

- When the sling is elevated a few inches off the surface of the bed and before moving the patient, check again to make sure the sling is properly connected to the hooks of the hanger bar. If any attachments are NOT properly in place, lower the patient back onto the stationary surface and correct this problem; otherwise, injury or damage may occur.
- Adjustments for safety and comfort should be made before moving the patient. The patient's arms should be inside the straps.
- Invacare slings are made specifically for use with Invacare Patient Lifts. For the safety of the patient, DO NOT use slings and patient lifts of different manufacturers.
- Invacare does NOT recommend locking the rear casters of the patient lift when lifting an individual. Doing so could cause the lift to tip and endanger the patient and assistants. Invacare DOES recommend that the rear casters be left unlocked during lifting procedures to allow the patient lift to stabilize itself when the patient is initially lifted from a chair, bed or any stationary object.
- The legs of the lift must be in the maximum open position and the shifter handle locked in place for optimum stability and safety. If it is necessary to close the legs of the lift to maneuver the lift under a bed, close the legs of the lift only as long as it takes to position the lift over the patient and lift the patient off the surface of the bed. When the legs of the lift are no longer under the bed, return the legs of the lift to the maximum open position and lock the shifter handle immediately.



There are many portable bathing apparatuses; this is an example of one. Refer to your particular portable bath instructions and use them in conjunction with this Owner's Manual.

1. Before lifting the patient from the bed, refer to 7.1.2 *Attaching Slings to the Lift, page 34*. For operation of the patient lift, refer to 6 *Operation, page 25*.


2. Note the patient should be elevated high enough to clear the bed and be able to slide the portable bathtub under the patient.
3. Lower the patient into the portable bathtub.
4. Detach the sling from the hanger bar hooks, and attach the portable bathtub straps to the patient lift.
5. Using the lift, raise the sides of the portable bath tub.
6. Bathe the patient.
7. Reverse the steps in this procedure to return the patient to bed.

### 8.3 Transferring the Patient to a Wheelchair



#### **WARNING!**

- When the sling is elevated a few inches off the surface of the bed and before moving the patient, check again to ensure the sling is properly connected to the hooks of the hanger bar. If any attachments are NOT properly in place, lower the patient back onto the stationary surface and correct this problem; otherwise, injury or damage may occur.
- Adjustments for safety and comfort should be made before moving the patient. The patient's arms should be inside of the straps.
- Invacare slings are made specifically for use with Invacare Patient Lifts. For the safety of the patient, DO NOT use slings and patient lifts from different manufacturers.
- Invacare does NOT recommend locking the rear casters of the patient lift when lifting an individual. Doing so could cause the lift to tip and endanger the patient and assistants. Invacare DOES recommend that the rear casters be left unlocked during lifting procedures to allow the patient lift to stabilize itself when the patient is initially lifted from a chair, bed or any stationary object.
- Before transferring, ensure the wheelchair weight capacity can withstand the patient's weight.
- The legs of the lift must be in the maximum open position and the shifter handle must be locked in place for optimum stability and safety. If it is necessary to close the legs of the lift to maneuver the lift under a bed, close the legs of the lift only as long as it takes to position the lift over the patient and lift the patient off the surface of the bed. When the legs of the lift are no longer under the bed, immediately return the legs of the lift to the maximum open position and lock the shifter handle.

 Before lifting the patient from the bed, refer to *7.1.2 Attaching Slings to the Lift, page 34*. For operation of the patient lift, refer to *6 Operation, page 25*.

Although Invacare recommends two assistants be used for all lifting preparation and transferring from and transferring to procedures, the equipment will permit proper operation by one assistant. The use of one assistant is based on the evaluation of the healthcare professional for each individual case.

1. Ensure the legs of the lift (with the patient) are in the open position.
2. Move the wheelchair into position.
3. Engage the rear wheel locks of the wheelchair to prevent movement of the chair.





**WARNING!**

-The wheelchair wheel locks MUST be in a locked position before lowering the patient into the wheelchair for transport; otherwise, injury may occur.

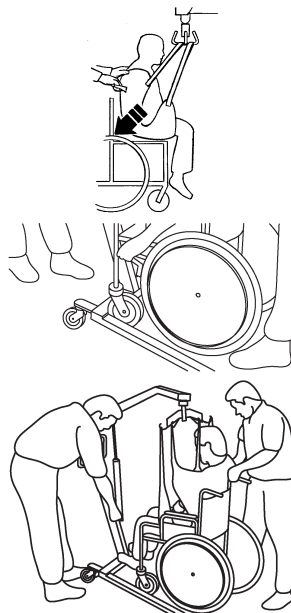


Use the straps or handles on the side and the back of the sling to guide the patient's hips into the seat as far back as possible for proper positioning.

4. Position the patient over the seat with his/her back against the back of the chair.
5. Begin to lower the patient by pressing the DOWN () button.
6. With one assistant standing behind the chair and the other operating the patient lift, the assistant behind the chair must pull back on the grab handle (on select models) or sides of the sling to seat the patient well into the back of the chair. This seating position helps to maintain a good center of balance and prevent the chair from tipping forward.
7. Leave the sling in place.  
 Remove the sling only if using a divided-leg sling.
8. To return the patient to the seating surface, reverse the steps in this procedure for patient lifting, operation and sling attachments.

**WARNING!**

-Be sure to check the sling attachments each time the sling is removed and replaced to ensure it is properly attached before the patient is removed from the bed or chair.



*Fig. 8-2*

## 9 Troubleshooting

### 9.1 Troubleshooting

SYMPTOMS	FAULTS	SOLUTION
Patient lift feels loose.	Mast/Base joint is loose. Tie-rods are loose.	Refer to <i>5 Assembly, page 20</i> . Refer to <i>10.7 Maintaining the Base Adjustment, page 57</i> .
Casters/Brakes noisy or stiff.	Fluff or debris in bearings.	Refer to <i>10.8 Replacing the Casters and Forks, page 58</i> .
Noisy or dry sound from pivots.	Needs lubrication.	Refer to <i>10.2 Lubricating the Lift, page 52</i> .

SYMPTOMS	FAULTS	SOLUTION
Actuator fails to lift when button is pressed.	Hand control or actuator connector is loose.	Charge the batteries. Refer to 6.2.1 <i>Charging the Battery</i> , page 31.
	Battery low.	
	RED emergency stop button pressed IN.	Rotate the RED emergency stop button CLOCKWISE until it pops out.
	Battery not connected properly to control box.	Reconnect the battery to the control box. Refer to 6.2.1 <i>Charging the Battery</i> , page 31.
	The connecting terminals are damaged.	Refer to 10.5 <i>Replacing the Boom Actuator</i> , page 53.
Actuator requires service or load is too high.	Contact your dealer.	
Unusual noise from actuator.	Actuator is worn or damaged or spindle is bent.	Refer to 10.5 <i>Replacing the Boom Actuator</i> , page 53. Contact your dealer.
Lift arms will not lower in uppermost position.	Lift arms require a minimum weight load to lower from the uppermost position.	Pull down slightly on the lift arms.

SYMPTOMS	FAULTS	SOLUTION
Lift arms will not lower during a power retraction.	Shoulder bolt at the junction of the boom and mast may not be properly installed.	Refer to <i>10.5.1 Checking and Tightening the Mast Pivot Bolt, page 54.</i>



If symptoms are not remedied by the suggested solutions, contact your dealer or Invacare.



## 10 Maintenance

### 10.1 Maintenance Safety Inspection Checklist

PART	TASK	INITIAL INSPECTION	INSTITUTIONAL MONTHLY INSPECTION/ ADJUSTMENT	IN-HOME SIX-MONTH INSPECTION
CASTER BASE	Inspect for missing hardware.	X	X	X
	Ensure the base opens/closes with ease.	X	X	X
	Inspect the casters and axle bolts for tightness.	X	X	X
	Inspect the casters for smooth swivel and roll.	X	X	X
	Inspect and clear the wheels of debris.	X	X	X
SHIFTER HANDLE	Ensure the handle operates smoothly.	X	X	X
	Ensure locks adjustable base whenever engaged.	X	X	X
MAST	Inspect the mast—it MUST be securely assembled to the boom.	X	X	X
	Inspect for bends or deflections.	X	X	X

PART	TASK	INITIAL INSPECTION	INSTITUTIONAL MONTHLY INSPECTION/ ADJUSTMENT	IN-HOME SIX-MONTH INSPECTION
BOOM	Check all hardware and the hanger bar supports.	X	X	X
	Inspect for bends or deflections.	X	X	X
	Inspect bolted joints of boom for wear.	X	X	X
	Inspect to ensure the boom is centered between the base legs.	X	X	X
	Inspect the mast pivot bolt under the rubber boot to ensure the bolt is tightly secured.	X	X	X
HANGER BAR	Inspect the bolt/hooks for wear or damage.	X	X	X
	Inspect the sling hooks for wear or deflection.	X	X	X
CLEANING	Clean as necessary.	X	X	X
SLINGS AND HARDWARE	CHECK ALL SLING ATTACHMENTS each time the lift is used to ensure proper connection and patient safety.	X	X	X
	Inspect sling material for wear.	X	X	X
	Inspect straps for wear.	X	X	X



For individual home use, a full inspection is required prior to each new user.

Regular cleaning will reveal loose or worn parts, enhance smooth operation, and extend the life expectancy of the lift.

Follow the maintenance procedures described in this manual to keep your patient lift in continuous service.

The Invacare patient lift is designed to provide a maximum of safe, efficient, and satisfactory service with minimum care and maintenance. All parts of the Invacare lift are made of the best grades of steel, but metal-to-metal contact will cause wear after considerable use.

There is no adjustment or maintenance of either the casters or brakes, other than cleaning, lubrication, and checking the axle and swivel bolts for tightness. Remove all debris and other substances from the wheel and swivel bearings. If any parts are worn, immediately replace these parts.

If you question the safety of any part of the lift, immediately contact your dealer and advise him/her of the issue.

## 10.2 Lubricating the Lift

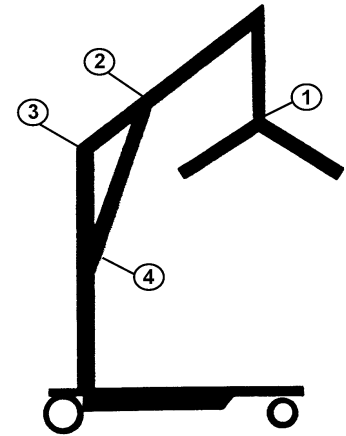
The Invacare lift is designed for minimum maintenance. However, a six-month check and lubrication should ensure continued safety and reliability.

Keep the lift and slings clean and in good working order. Any defect should be noted and reported to your dealer as soon as possible.

The casters **MUST** swivel and roll smoothly. A light grease (waterproof auto lubricant) may be applied to the ball bearing swivel of the casters once a year. Apply more frequently if the casters are exposed to extreme moist conditions.

Refer to the FIGURE for lubrication points. Lubricate all pivot points. Wipe all excess lubricant from lift surface.

1. Hanger Bar
2. Boom Mounting Bracket
3. Boom/Mast Mount
4. Mast Mounting Bracket



*Fig. 10-1*

## 10.3 Detecting Wear and Damage

It is important to inspect all stressed parts, such as slings, the hanger bar, and any pivot for slings for signs of cracking, fraying, deformation, or deterioration.

Replace any defective parts immediately and ensure the lift is not used until repairs are made.

## 10.4 Cleaning the Sling and Lift

Laundering should always be done with dark colors. The sling should be washed regularly in a water temperature not to exceed 180°F (82°C). Refer to the sling user manual for complete cleaning instructions.

A soft cloth, dampened with water and a small amount of mild detergent, is all that is needed to clean the patient lift. The lift can be cleaned with non-abrasive cleaners.

## 10.5 Replacing the Boom Actuator

1. Remove the nut, washer, and shoulder bolt that secure the electric actuator to the mast mounting bracket.
2. Rest the boom on your shoulder and remove the nut, bolt, and pinch guard from the boom mounting bracket.
3. Remove the actuator assembly.
4. Reverse the steps for installation.



### **CAUTION!**

DO NOT overtighten the nut and bolt. This damages the mounting bracket.

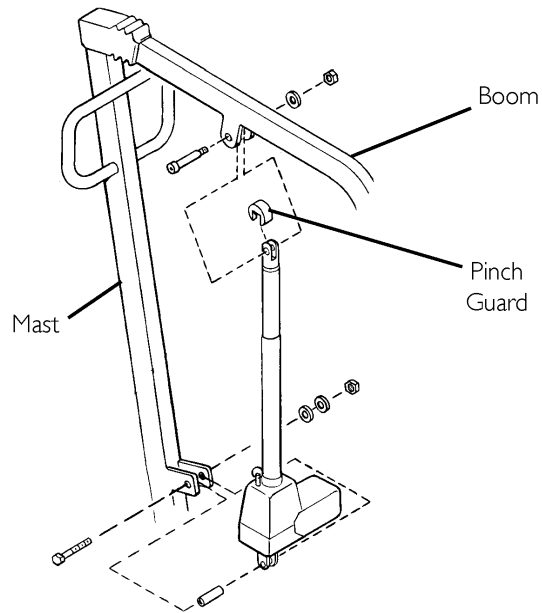


Fig. 10-2

### 10.5.1 Checking and Tightening the Mast Pivot Bolt

1. Lift up the back of the rubber boot and slide it off the mast along the boom.
2. Ensure the bolt is through the bracket and the locknut is tight and secure.

3. If needed, do one or both of the following:
  - Tighten the locknut, and back off the locknut 1/8 of a turn.
  - Replace the locknut.
4. Reposition the rubber boot.

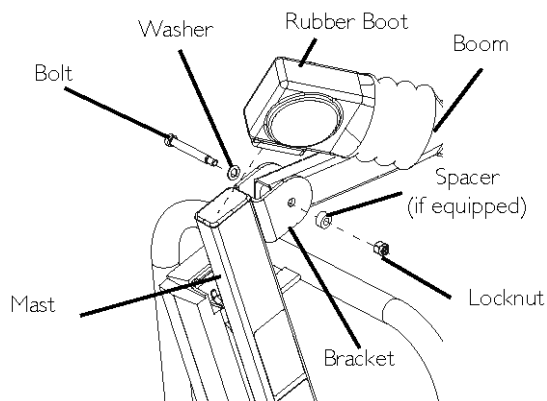


Fig. 10-3


## 10.6 Replacing the Hanger Bar



### **WARNING!**

-After the first year of use, the hooks of the hanger bar and mounting brackets of the boom should be inspected every six months to determine the extent of wear. If these parts become worn, they must be replaced.

1. Note the hanger bar comes attached to the boom with a bolt, nut, washers, and pinch guard.

 Refer to the images in this section for bolt and washer placement.

The hanger bar has three hooks on both ends to attach the sling that supports the patient during lifting.

2. Remove the existing hardware and replace the hanger bar.
3. Tighten the locknut onto the bolt until the locknut bottoms out.



**CAUTION!**

-DO NOT overtighten the nut and bolt. This damages the mounting bracket.

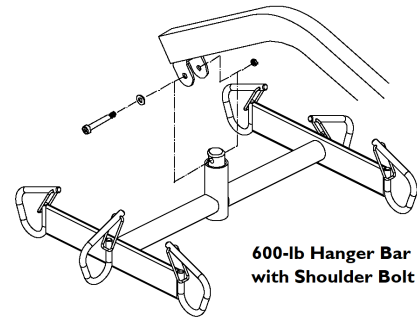
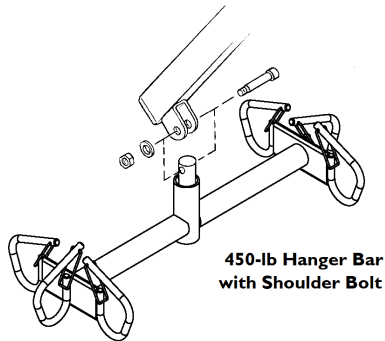


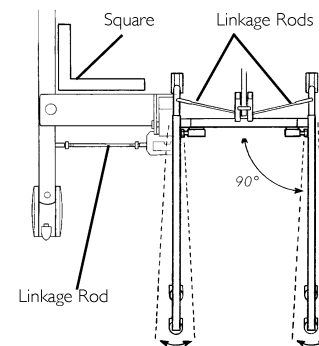
Fig. 10-4



## 10.7 Maintaining the Base Adjustment

The base adjustment should not require any attention other than:


1. Check the squareness of the legs when in the closed position.
2. Place a square on the inside of the legs and base to determine 90° alignment.
3. Adjust the linkage rods until 90° alignment is achieved.



*Fig. 10-5*

## 10.8 Replacing the Casters and Forks

### 10.8.1 Replacing the Rear Casters

1. Place the lift on its side.
2. Remove the bolt and locknut that secure the existing rear caster to the fork.  
 The bushing will be loose and may fall out of the caster. The existing bushing will be reused. Examine and replace the bushing if it is worn.
3. Install the new/existing bushing into the new rear caster.
4. Align the mounting holes in the new rear caster and the fork.
5. Install the bolt through the fork and new rear caster and tighten securely with the locknut.

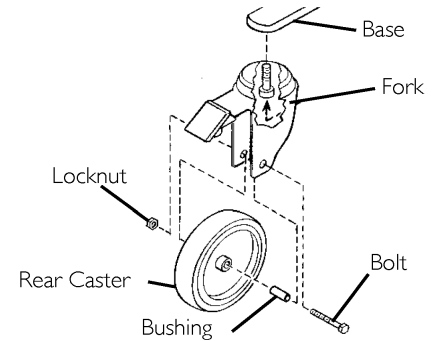



Fig. 10-6

### 10.8.2 Replacing the Front Casters

1. Place the lift on its side.
2. Remove the bolt and locknut that secure the existing front caster assembly to the fork.

 The front caster assembly consists of two casters and a washer in between.

The washer will fall out from between the two casters. The washer can be reused. Examine and replace the washer if it is worn.

3. Position the new or existing washer between the two new casters.
4. Align the mounting holes in the new front caster assembly and the fork.
5. Install the bolt through the fork and the new front caster assembly and tighten securely with the locknut.

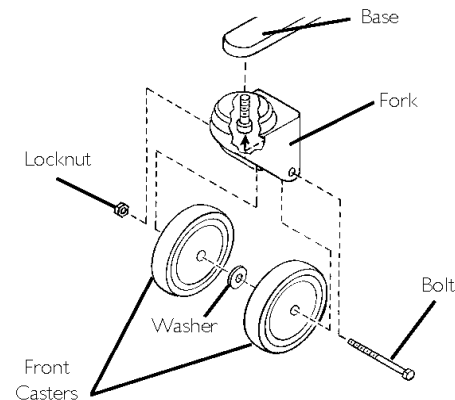


Fig. 10-7

### 10.8.3 Replacing the Forks

1. Place the lift on its side.
2. Remove the front or rear caster from the lift. Refer to *10.8 Replacing the Casters and Forks, page 58*.
3. Unscrew the existing fork from the base.
4. Install the new fork onto the base.
5. Install the front or rear caster onto the lift. Refer to *10.8 Replacing the Casters and Forks, page 58*.

## 11 Accessories

### 11.1 Reliant Scale RLS6

The Reliant Scale is a compact precision scale system designed specifically for the Invacare patient lift system.



#### **DANGER!**

Risk of Death, Injury or Damage

-Improper use of this product may cause death, injury or damage.

-If you are unable to understand the warnings, cautions, or instructions, contact a healthcare professional, dealer, or technical personnel before attempting to use this equipment.

-DO NOT use this product or any available optional equipment without first completely reading and understanding these instructions and any additional instructional material such as user manuals, service manuals or instruction sheets supplied with this product or optional equipment.

#### 11.1.1 Removing the Hanger Bar

1. Remove the shoulder bolt, locknut, pinch guard, and washer that secure the hanger bar to the hanger bar bracket.

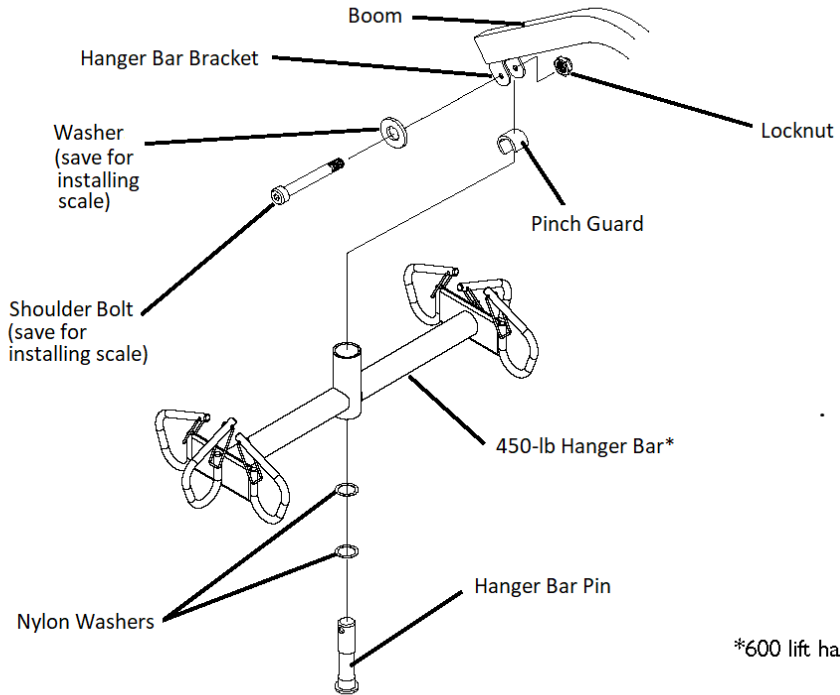


Note the hanger bar hardware varies. For more information, see *10.6 Replacing the Hanger Bar, page 55*.



Save the shoulder bolt to secure the Reliant Scale to the boom. The pinch guard will not be used when the scale is installed. Save the pinch guard for future use of the hanger bar without the scale.

Removing the hanger bar hardware will release the hanger bar, two nylon washers and the hanger bar pin. Save the hanger bar pin and the two nylon washers for future use of the hanger bar without the scale.





\*600 lift hanger bar not shown.

Fig. 11-1

### 11.1.2 Installing the Reliant Scale

**WARNING!**

-The patient and sling **MUST** be removed from the lift during ALL installation procedures.

1. Position the load cell assembly of the Reliant Scale into the hanger bar bracket. Refer to Detail A.  
 Use a 1/4-inch nylon washer.
2. Secure the Reliant Scale to the hanger bar bracket with a new locknut and the hardware removed in *11.1.1 Removing the Hanger Bar, page 60*. Refer to Detail A for washer orientation.  
 Ensure the shaft of the shoulder bolt passes through both sides of the hanger bar bracket.
3. Tighten the locknut onto the shoulder bolt until the locknut bottoms out.
4. Insert the hanger bar pin with two nylon washers through the hanger bar. Refer to Detail B.
5. Align the mounting holes in the hanger bar pin with the mounting holes in the load cell assembly. Refer to Detail B.
6. Secure the hanger bar pin to the load cell assembly with the provided mounting screw and locknut. Securely tighten. Refer to Detail B.

**WARNING!**

-After ANY adjustments, repair or service and BEFORE use, make sure all attaching hardware is securely tightened; otherwise, injury or damage may occur.

7. Weigh the patient. Refer to 11.2 *Operating the Scale*, page 64 and 11.3 *Weighing the Patient*, page 65.

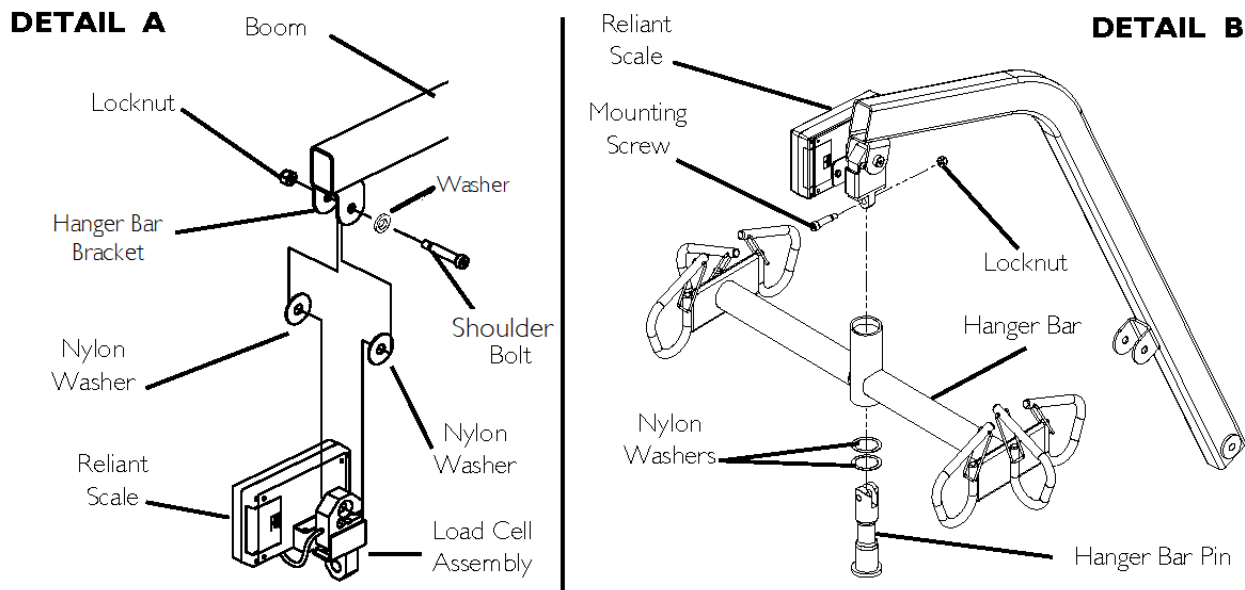



Fig. 11-2

## 11.2 Operating the Scale

### 11.2.1 Keypad Functions

Key	Indicator	Indicator Location	Definition
ON OFF	OFF	Center of the Display Window	Press this key to apply power to the scale and turn on the unit. When the scale is on, press the button to turn it off.
ZERO	ZERO	Lower Left Corner of the Display Window	Press this key when the scale is on to reset the weight in the display window to zero.
UNITS	lb or kg	Upper Right Corner of the Display Window	Press this key to change the unit of measurement from pounds (lb) to kilograms (kg).
LOCK UNLOCK	LOCK	Lower Right Corner of the Display Window	Press this key to lock or unlock a weight value in the display window.  The weight displayed is a STORED weight and not the current weight when the key is used in the lock position.
N/A	LO BAT	Center of the Display Window	Note this indicator appears in the display window when the battery is low.



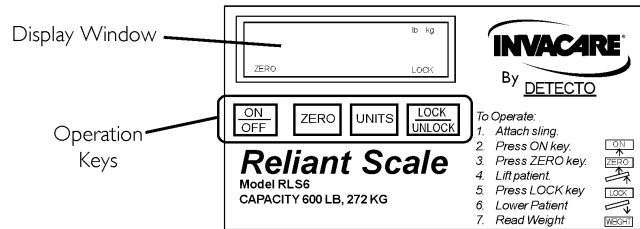


Fig. 11-3

## 11.3 Weighing the Patient



### WARNING!

- The weight capacity is limited to the lowest-rated capacity of any one of the components in use (for example, the Patient Lift, Sling or Scale). The patient's weight **MUST** not exceed the lowest-rated capacity of any component.
- DO NOT operate key strokes with pointed objects (for example, pencils, pens, or fingernails); otherwise, damage to the keypad will result.

1. Attach the sling straps to the hanger bar. For proper attachment instructions, refer to 7.1.2 *Attaching Slings to the Lift, page 34*.



For improved accuracy on the 450 and 600 Reliant Lifts, attach all sling straps to the center hooks on both sides of the hanger bar. However, patient comfort may require a different configuration of the sling straps.

2. Press the ON/OFF key.



The display will indicate the last weight that was measured. The word “LOCK” displays in the display box.

Press the ZERO key to avoid capturing the weight of the sling and the hardware. If the ZERO key is not pressed, the weight of the sling and the weight of the hardware are included in the weight that displays. FOR AN ACCURATE WEIGHT READING, PRESS THE ZERO KEY.

3. Press the ZERO key. The following occur:

- The scale resets to zero and the word “ZERO” displays.
- The lock function turns off and the word “LOCK” disappears from the display.



The scale is now active and continually updates the weight display.

4. Place the patient in the sling. For patient placement instructions, refer to *6 Operation, page 25*.
5. Activate the lift mechanism to raise the patient until he/she is completely supported by the lift. For patient lifting instructions, refer to *7 Patient Lifting, page 33*.
6. Note the weight display.
7. When the weight display becomes stable, press the LOCK button to lock the weight display. The word “LOCK” displays in the window.



If it is necessary to unlock the weight while the patient is still supported by the lift, the UNLOCK button may be pressed. The weight unlocks, and the word “LOCK” disappears from the display. The weight value will then be updated. Once the weight becomes stable, the weight can be locked again by pressing the LOCK button.

*Stable* is defined as the weight fluctuating two tenths of a pound. For example, for a patient weighing 100 pounds, the scale will fluctuate between 99.8 and 100.2 until the LOCK key is pressed. Weight display fluctuation is normal, as

Press the UNITS button to toggle between pounds and kilograms. The selected unit displays in the window.


8. Lower the lift and remove the sling from the patient.



The patient's weight continues to display in the window. The display will turn off after a two-minute period of non-use (no changes in weight exceeding five pounds [two kilograms]). The time delay for automatic shutoff CANNOT be adjusted.

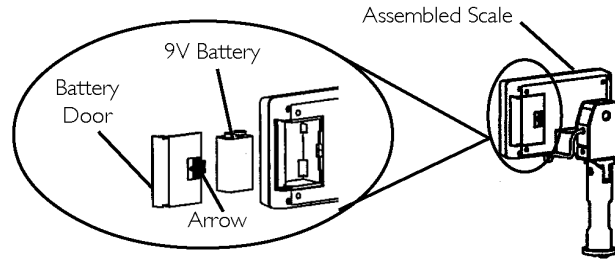
After the display turns off, press the ON/OFF button to recall the weight. Press the ON/OFF button a second time to turn off the unit.

## 11.4 Replacing the Battery

 The scale is powered by a nine-volt alkaline battery that should provide approximately 1500 readings before needing replacement.


When battery replacement is needed, LO BAT will appear on the display. To replace the battery:

1. Slide the battery door open in the direction of the arrow.
2. Remove the existing battery.
3. Install the new battery.
4. Reinstall the battery door.



*Fig. 11-4*

## 11.5 Calibrating the Reliant Scale

 The Reliant Scale will be calibrated at the factory with the load cell. Should it be necessary to recalibrate the scale, complete the following instructions.

1. Remove the patient and the sling from the scale to properly calibrate the Reliant Scale. For patient removal instructions, refer to 6 *Operation, page 25*. For sling detachment instructions, refer to 7 *Patient Lifting, page 33*.
2. With the Reliant Scale on, remove the four screws on the back of the enclosure and remove the front cover to expose the PC board.
3. Press the CAL button on the PC board. The CAL switch is not labeled but is the only button on the PC board and is located in the lower right corner. Once the CAL button is pressed, CAL1 displays in the window.



CAL1 selects the calibration mode using 50 pounds of calibrated weight.

CAL2 selects the calibration mode using 200 pounds of calibrated weight.

Press the UNITS key to toggle between CAL1 and CAL2.

4. When the desired calibration mode displays, press the LOCK/UNLOCK key.




UnLd displays in the window.

5. Ensure there is no load on the scale, and press the ZERO key.
6. Note a dashed line (-----) will scroll across the window and then the word LOAD will display.
7. Perform one of the following:
  - FOR CAL1 OPTION—support 50 pounds of calibrated weight from the scale and press the ZERO key.
  - FOR CAL2 OPTION—support 200 pounds of calibrated weight from the scale and press the ZERO key.
8. Note a dashed line (-----) will scroll across the window, and then the word DONE will display.
9. Remove the weight from the scale and press the LOCK/UNLOCK key.





The unit enters a temporary test mode and does not lock the weight display. This allows weight to be loaded and unloaded to check the calibration.

10. Turn off the unit by pressing the ON/OFF key.
11. Turn on the unit by pressing the ON/OFF key.  
 The scale is now in normal operation.

## 11.6 Troubleshooting

SYMPTOM	PROBABLE CAUSE	SOLUTION
Unit does NOT work properly.	Battery failure	Check the battery. Replace if necessary.
Battery has been replaced and the unit still does NOT work properly.		Contact Invacare for service at 1-800-333-6900.

### 11.6.1 Display Codes

CODE	DESCRIPTION
	Calibration Required—indicates improper stored calibration data. Calibration is necessary.
	Over Capacity—indicates a weight exceeding the capacity has been loaded on the scale.

---

## Notes

---

## Notes

---



# Manuel de L'utilisateur

DÉTAILLANT : Ce manuel doit être livré à l'utilisateur du fauteuil roulant.

UTILISATEUR : AVANT d'utiliser ce produit, ce manuel DOIT être lu, puis conservé pour référence future.

## Table des matières

<b>1 Généralités</b> .....	<b>75</b>
1.1 Pictogrammes .....	75
1.1.1 Avertissements .....	75
1.1.2 Autre Symbols .....	75
1.2 Durée de vie .....	76
1.3 Garantie limitée .....	76
<b>2 Sécurité</b> .....	<b>78</b>
2.1 Avertissements généraux .....	78
2.2 Renseignements relatifs à l'utilisation .....	79
2.2.1 Généralités .....	79
2.2.2 Points de pincement et positionnement .....	79
2.2.3 Assembler le lève-patient .....	80
2.2.4 Utiliser le lève-patient .....	80
2.2.5 Utiliser la toile .....	81
2.2.6 Soulever le patient .....	82
2.2.7 Transférer le patient .....	83
2.2.8 Exécuter l'entretien .....	83
2.2.9 Électricité et mise à la terre .....	84
2.2.10 Mise au rebut .....	84
2.3 Interférence aux fréquences radioélectriques .....	85
<b>3 Étiquettes sur le produit</b> .....	<b>86</b>
<b>4 Renseignements techniques</b> .....	<b>87</b>
4.1 Lève-patient .....	87
4.2 Toiles plein corps, croisée, et de toilette .....	88
4.3 Pèse-personne Reliant RLS6 .....	89
<b>5 Assemblage</b> .....	<b>90</b>
5.1 Assemblage du Lève-Patient .....	90
5.1.1 Déballez le Lève-Patient .....	90
5.1.2 Assembler le Mât et la Base .....	91
5.1.3 Assembler de l'actionneur de la membrure .....	93
5.2 Installer la poignée d'embrayage .....	94
<b>6 Fonctionnement</b> .....	<b>95</b>
6.1 Fonctionnement du Lève-Patient .....	95
6.1.1 Pour Fermer/Ouvrir les Pattes de L'ensemble de la Base .....	95
6.1.2 Élévation/Abaissement du lève-personne .....	97
6.1.3 Actionner le Système de Dégagement d'urgence Mécanique .....	98
6.1.4 Exécuter un arrêt d'urgence .....	99
6.2 Installer le Chargeur à Batterie .....	100
6.2.1 Charger les Batteries .....	101
<b>7 Soulever Patient</b> .....	<b>102</b>
7.1 Préparation Pour le Levage .....	102
7.1.1 Préparer le lève-patient .....	102
7.1.2 Fixer la toile au lève-patient .....	103
7.2 Soulever/Déplacer le Patient .....	104
<b>8 Transférer le Patient</b> .....	<b>107</b>

8.1 Transférer le Patient pour Utiliser une Chaise D'aisance ou une Toilette .....	107
8.1.1 Transférer vers une chaise d'aisance .....	108
8.1.2 Transférer vers une toilette .....	109
8.2 Transférer dans une Baignoire .....	110
8.3 Transférer vers un Fauteuil Roulant .....	111
<b>9 Dépannage .....</b>	<b>114</b>
9.1 Dépannage .....	114
<b>10 Entretien .....</b>	<b>117</b>
10.1 Liste D'inspections pour L'entretien .....	117
10.2 Lubrification .....	120
10.3 Usure et Dommages .....	120
10.4 Nettoyage de la toile et du lève-personne .....	121
10.5 Remplacement de l'actionneur .....	121
10.5.1 Vérifier et serrer le boulon à pivot du mât .....	122
10.6 Remplacer la Barre à Rotule .....	123
10.7 Maintenir le réglage de la base .....	125
10.8 Remplacer les Roulettes et/ou les Fourches .....	126
10.8.1 Roulettes arrière .....	126
10.8.2 Roulettes avant .....	127
10.8.3 Fourches .....	127
<b>11 Accessoires .....</b>	<b>128</b>
11.1 Pèse-personne Reliant RLS6 .....	128
11.1.1 Enlever la barre à rotule .....	128
11.1.2 Installer le pèse-personne Reliant .....	130
11.2 Fonctionnement du pèse-personne .....	131
11.2.1 Fonction des touches .....	131
11.3 Peser le patient .....	132
11.4 Remplacer la batterie .....	135
11.5 Calibrer le pèse-personne .....	135
11.6 Dépannage .....	137

11.6.1 Codes .....	137
--------------------	-----

# 1 Généralités

## 1.1 Pictogrammes

### 1.1.1 Avertissements

On emploie des mots indicateurs dans ce manuel; ils s'appliquent aux dangers ou aux pratiques dangereuses qui risquent de causer des blessures graves ou des dégâts matériels. Voyez les informations ci-dessous pour la définition des mots-clés.

**DANGER!**

-Danger indique l'imminence d'une situation dangereuse qui pourrait causer de graves blessures, voire la mort, si elle n'est pas évitée.

**WARNING!**

-Avertissement indique l'éventualité d'une situation dangereuse qui pourrait causer des blessures graves pouvant être mortelles si elle n'est pas évitée.

**ATTENTION!**

-Le terme << Mise en garde >> indique une situation possiblement dangereuse qui pourrait causer des dommages matériels ou des blessures légères, voire les deux, si elle n'est pas évitée.



-Indique une situation dangereuse qui, si elle n'est pas évitée, pourrait entraîner des dommages matériels.



Offre des conseils, des recommandations et des informations utiles pour assurer un fonctionnement optimal.

### 1.1.2 Autre Symbols



Date de fabrication

## 1.2 Durée de vie

Lève-personne—la durée de vie prévue est de huit ans, à condition que le produit soit utilisé quotidiennement et conformément aux consignes relatives à la sécurité et à l'entretien décrites dans le présent manuel.

Toile—Reportez-vous au manuel d'utilisateur de la toile pour les informations sur la durée de vie prévue.

## 1.3 Garantie limitée



REMARQUE: LA GARANTIE CI-DESSOUS A ÉTÉ RÉDIGÉE EN ACCORD AVEC LA LOI FÉDÉRALE APPLICABLE SUR LES PRODUITS FABRIQUÉS APRÈS LE 4 JUILLET 1975.

Cette garantie est valable pour l'acheteur-utilisateur original de nos produits seulement.

Cette garantie vous donne des droits légaux spécifiques. D'autres droits variant d'un État à l'autre peuvent se rajouter.

Invacare garantit ses produits contre tout défaut de fabrication ou défaut dans les matériaux pour une période de ans pour le lève-patient et de un an pour les toiles, les pompes hydrauliques/composantes électriques, à partir de la date d'achat. Si durant cette période, le produit devait s'avérer défectueux, ce dernier sera réparé ou remplacé, suivant le choix d'Invacare. Cette garantie ne comprend aucun frais de main-d'oeuvre ou de livraison reliés au remplacement ou à la réparation du produit. La seule et unique obligation d'Invacare et votre recours exclusif suivant cette garantie se limitent au remplacement ou à la réparation du produit. Pour le service, contacter votre fournisseur. Si le service n'est pas satisfaisant, écrire directement à Invacare à l'adresse indiquée au verso. Fournir le nom du fournisseur, l'adresse, la date d'achat et la nature du problème.

Invacare émettra une autorisation de retour. L'unité ou les pièces défectueues DOIVENT être retournées pour inspection en identifiant le numéro de série sil y a lieu, dans les trente jours suivant la date d'autorisation de retour. Ne pas retourner un produit à l'usine avant d'avoir eu notre consentement. Les envois payable sur réception seront refusés; veuillez payer les frais d'envoi.

RESTRICTIONS: LA PRÉSENTE GARANTIE NE S'APPLIQUE PAS AUX PRODUITS DONT LE NUMÉRO DE SÉRIE A ÉTÉ EFFACÉ OU MODIFIÉ, AUX PRODUITS MAL ENTRETENUS, ACCIDENTÉS, INADÉQUATEMENT UTILISÉS OU ENTREPOSÉS, D'USAGE COMMERCIAL OU INSTITUTIONNEL, AUX PRODUITS MODIFIÉS SANS LE CONSENTEMENT ÉCRIT D'INVACARE, INCLUANT, MAIS NE SE LIMITANT PAS À, LA MODIFICATION AVEC DES PIÈCES OU ACCESSOIRES NON AUTORISÉS, AUX PRODUITS ENDOMMAGÉS PAR DES RÉPARATIONS FAITES SANS L'APPROBATION D'INVACARE, OU AUX PRODUITS ENDOMMAGÉS DANS DES CIRCONSTANCES AU-DELÀ DU CONTRÔLE D'INVACARE, ET L'ÉVALUATION SERA FAITE PAR INVACARE. LA GARANTIE NE S'APPLIQUE PAS AUX PROBLÈMES DÉCOULANT DE L'USURE NORMALE OU DE LA NÉGLIGENCE À RESPECTER LES INSTRUCTIONS DE CE MANUEL.

LA PRÉSENTE GARANTIE EST EXCLUSIVE ET REMPLACE TOUTES LES AUTRES GARANTIES. LES GARANTIES IMPLICITES, S'IL Y A LIEU, INCLUANT LA GARANTIE DE COMMERCIALISATION ET D'AJUSTEMENT DANS UN BUT PARTICULIER, NE DOIVENT SE PROLONGER AU-DELÀ DE LA DURÉE DE LA PRÉSENTE GARANTIE, ET LE RECOURS POUR VIOLATION DE QUELCONQUE GARANTIE IMPLICITE DOIT SE LIMITER À LA RÉPARATION OU AU REMPLACEMENT DU PRODUIT DÉFECTUEUX CONFORMÉMENT AUX PRÉSENTS TERMES.

INVACARE NE SERA PAS TENU RESPONSABLE POUR TOUT DOMMAGE-INTÉRÊT INDIRECT OU ACCESSOIRE.

CERTAINS ÉTATS/PROVINCES N'AUTORISENT PAS DE RESTRICTIONS POUR DOMMAGES/INTÉRÊTS INDIRECTS OU ACCESSOIRES, OU DE RESTRICTIONS SUR LA DURÉE DE LA GARANTIE; AINSI LES RESTRICTIONS CI-DESSUS PEUVENT NE PAS S'APPLIQUER.

CETTE GARANTIE DEVRA ÊTRE ÉLARGIE POUR RÉPONDRE AUX LOIS ET AUX RÈGLEMENTS DES ÉTATS (PROVINCES).

## 2 Sécurité

La section sur la sécurité comprend des renseignements importants quant au fonctionnement et à l'utilisation sécuritaires de ce produit.

### 2.1 Avertissements généraux

**AVERTISSEMENT**

N'UTILISEZ PAS CE PRODUIT OU TOUT AUTRE ÉQUIPEMENT OFFERT EN OPTION SANS AVOIR, AU PRÉALABLE, ENTIÈREMENT LU ET COMPRIS CES INSTRUCTIONS ET TOUT AUTRE DOCUMENT COMME LE MANUEL DE L'UTILISATEUR, LE MANUEL D'ENTRETIEN OU LES FEUILLETS D'INSTRUCTIONS FOURNIS AVEC CE PRODUIT OU AVEC L'ÉQUIPEMENT EN OPTION. SI VOUS NE COMPRENEZ PAS LES AVERTISSEMENTS, LES MISES EN GARDE ET LES INSTRUCTIONS, COMMUNIQUEZ AVEC UN PROFESSIONNEL DE LA SANTÉ, UN DISTRIBUTEUR OU UN TECHNICIEN QUALIFIÉ AVANT DE TENTER D'UTILISER CET ÉQUIPEMENT POUR ÉVITER TOUT RISQUE DE BLESSURES OU DE DOMMAGES.

**AVERTISSEMENT**

Les produits Invacare sont conçus et fabriqués expressément pour une utilisation avec les accessoires Invacare. Invacare n'a pas examiné les accessoires conçus par d'autres fabricants; ces accessoires ne devraient pas être utilisés avec les produits Invacare.



L'INFORMATION CONTENUE DANS CE DOCUMENT PEUT ÊTRE MODIFIÉE SANS PRÉAVIS.

Assurez-vous que toutes les pièces à expédier sont en bon état. Suite au transport, si des dommages à l'équipement sont apparents, NE PAS UTILISER. Communiquez avec l'expéditeur ou le détaillant pour obtenir d'autres instructions.

## 2.2 Renseignements relatifs à l'utilisation

### 2.2.1 Généralités



#### AVERTISSEMENT

- Le lève-patient d'Invacare n'est pas un appareil de transport. Il est conçu pour le transfert de patient d'une surface de repos à une autre (ex. d'un lit à un fauteuil).
- Ne pas tenter de transfert sans le consentement du médecin, de l'infirmier ou de l'assistant médical du patient. Lire attentivement les instructions contenues dans ce manuel, observer une équipe d'experts répéter la manoeuvre de levage et pratiquer ensuite plusieurs fois toute la procédure sous supervision et avec une personne en santé comme patient.
- Faire preuve de bon sens lors de tous les transferts. Apporter une attention particulière aux personnes qui ne peuvent coopérer lors des transferts. Utiliser des ceintures si nécessaire.
- Les toiles et les accessoires du lève-patient d'Invacare sont spécialement conçus pour être utilisés avec le lève-patient d'Invacare. Les toiles et les accessoires conçus par d'autres fabricants ne doivent pas être utilisés avec le lève-patient d'Invacare. L'utilisation de ces produits est interdite et entraînera l'annulation de la garantie. Utiliser seulement les toiles et les accessoires originaux d'Invacare pour assurer la sécurité du patient et obtenir l'efficacité attendue.

### 2.2.2 Points de pincement et positionnement



#### AVERTISSEMENT

- Endroits dangereux, les doigts peuvent être pincés. Lorsque vous placez le lève-patient, vérifiez la position de la barre à rotule et la position du patient. Des blessures peuvent survenir.

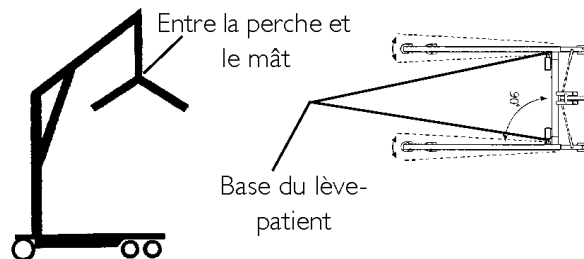


Fig. 2-1

### 2.2.3 Assembler le lève-patient

**AVERTISSEMENT**

Ne pas trop serrer la quincaillerie de montage. Ceci endommagera les supports de montage.

### 2.2.4 Utiliser le lève-patient

**AVERTISSEMENT**

- Bien que Invacare recommande la présence de deux assistants pour la préparation du levage et pour les procédures de transferts de et vers, nos équipements peuvent opérer correctement avec un assistant seul. La présence d'un assistant seul sera basé sur l'opinion du médecin pour chaque cas individuel.
- S'assurer de bien entendre le déclic qui confirme le montage adéquat lorsque vous montez la batterie sur le chargeur, sans quoi des blessures ou des dommages peuvent survenir.
- NE PAS dépasser la limite de poids du lève-patient. La charge maximale des modèles RPL450-1 est de 450 lb. La charge maximale du modèle RPL600 1 est de 600 lb.



## 2.2.5 Utiliser la toile



### AVERTISSEMENT

- Utiliser une toile Invacare approuvée et recommandée par le médecin du patient, l'infirmière ou l'assistant médical pour le confort et la sécurité du patient.
- NE PAS utiliser de coussin d'incontinence à dossier en plastique, ou d'autres types de coussins entre le patient et les composantes du lève-patient car le patient pourrait glisser de la toile pendant le transfert.
- Après chaque lavage, (effectué selon les instructions indiquées sur la toile) inspecter la (les) toile(s) pour y déceler la présence d'usure, de déchirures ou de points de couture lâches.
- Une toile blanchie, déchirée, coupée, usée ou brisée est non sécuritaire et pourrait causer des blessures. La jeter immédiatement.
- NE PAS modifier les toiles.
- Vérifier les pièces de fixation de la toile chaque fois que la toile est enlevée et remise, pour s'assurer qu'elle est bien fixée avant que le patient ne soit déplacé d'un endroit stationnaire (lit, fauteuil, chaise d'aisance).
- Si le patient est assis dans un fauteuil roulant, bloquer les freins de blocage pour empêcher le fauteuil de bouger.
- Au moment de connecter les toiles munies de courroies de couleur, la courroie la plus courte DOIT être à l'arrière du patient pour lui donner du support. Utiliser la courroie longue donnera peu ou pas de support au dos du patient. Les boucles de la toile sont munies d'un code de couleur et peuvent être utilisées pour placer le patient dans différentes positions. Les couleurs permettent de fixer les deux côtés de la toile à la même hauteur plus facilement.

### 2.2.6 Soulever le patient



#### AVERTISSEMENT

- Lorsque vous utilisez un lève-personne à base réglable, les pattes DOIVENT être dans la position ouverte/verrouillée maximale avant de soulever le patient.
- Lorsque le patient est soulevé à quelques pouces de la surface de l'objet fixe (fauteuil roulant, chaise d'aisance ou lit) et avant de déplacer le patient, assurez-vous que la toile est fixée correctement aux crochets de la barre pivotante. Si l'une des attaches n'est pas correctement en place, remplacez le patient sur l'objet fixe (fauteuil roulant, chaise d'aisance ou lit) et corrigez le problème.
- Les ajustements qui assurent la sécurité et le confort devraient être effectués avant de déplacer le patient. Les bras du patient devraient se trouver à l'intérieur des courroies.
- Les toiles Invacare sont conçues spécialement pour être utilisées avec les lève-personnes Invacare. Pour des raisons de sécurité, N'utilisez JAMAIS les toiles et les lève-personnes de fabricants différents ensemble. Cela annulerait la garantie.
- Durant le transfert, quand le patient est suspendu dans une toile fixée au lève-personne, ÉVITEZ d'engager les roulettes sur une surface inégale, vous risqueriez de faire basculer le lève-personne. Utilisez la poignée de direction du mât en tout temps pour pousser ou tirer le lève-personne.
- Invacare ne recommande pas de verrouiller les roulettes arrière du lève-personne au moment de soulever un patient. Cette pratique pourrait faire basculer le lève-personne et mettre le patient et les préposés en danger. Invacare recommande que les roulettes arrière soient déverrouillées au moment de soulever le patient pour permettre au lève-personne de se stabiliser lorsque le patient est soulevé d'une chaise, d'un lit ou d'un objet fixe.

## 2.2.7 Transférer le patient



### AVERTISSEMENT

- Lorsque le patient est soulevé à quelques pouces de la surface de l'objet fixe (fauteuil roulant, chaise percée ou lit) et avant de déplacer le patient, assurez-vous que la toile est fixée correctement aux crochets de la barre pivotante. Si l'une des attaches n'est pas correctement en place, remplacez le patient sur l'objet fixe (fauteuil roulant, chaise percée ou lit) et corrigez le problème.
- Les freins de blocage DOIVENT être en position bloquée avant d'abaisser le patient dans le fauteuil pour le transport.
- Avant le transfert, vérifiez si le fauteuil peut supporter le poids du patient en vérifiant la limite de poids du fauteuil.
- Vérifiez les pièces de fixation de la toile chaque fois que la toile est enlevée et remise, pour s'assurer qu'elle est bien fixée avant que le patient ne soit déplacé d'un lit ou d'un fauteuil.
- Le pivot du mât sous le soufflet doit être serré pour assurer un fonctionnement sécuritaire du lève-patient. Le boulon doit être vérifié tous les 6 mois lors de l'entretien régulier.

## 2.2.8 Exécuter l'entretien



### AVERTISSEMENT

- La pompe est scellée en usine. NE PAS tenter d'OUVRIER la pompe ou de la faire réparer par un service local, sans quoi la garantie sera ANNULÉE et des dommages pourraient survenir. Consulter le fournisseur ou écrire à Invacare pour plus de renseignements.
- Après la première année d'utilisation, les crochets de la barre à rotule et les supports de montage du bras devraient être inspectés tous les trois mois pour évaluer l'usure. Si ces pièces sont usées, les remplacer.
- Les roulettes et les boulons d'essieu doivent être inspectés tous les six mois pour l'usure et la solidité.
- Après les premiers 12 mois d'utilisation, vérifiez l'usure de la barre à rotule et de l'oeil du bras. Si le métal est usé, les pièces doivent être remplacées. Ensuite, faire l'inspection tous les six mois.
- Un entretien régulier du lève-patient et des accessoires est nécessaire pour assurer un bon fonctionnement.
- Ne pas trop serrer la quincaillerie de montage. Ceci endommagera les supports de montage.

### 2.2.9 Électricité et mise à la terre

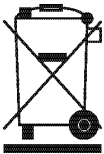


#### AVERTISSEMENT

##### INSTRUCTIONS DE MISE À LA TERRE

- NE JAMAIS, dans aucune circonstance, couper ou enlever la broche ronde de mise à la terre d'une fiche. Certains appareils sont munis de fiches à trois broches (mise à la terre) pour protéger contre d'éventuelles décharges. Lorsque les plaques murales ne peuvent recevoir que des fiches à deux broches, la personne doit contacter un électricien pour les faire remplacer par des prises adéquates pour des fiches à trois broches et ce, conformément aux normes du code national en électricité (National Electricity Code). Si vous devez utiliser une rallonge, utilisez SEULEMENT une rallonge à trois fils ayant la même puissance ou une puissance plus élevée que l'appareil qui doit être branché. De plus, INVACARE a placé des étiquettes d'avertissement rouges/orange sur certains équipements. NE PAS enlever ces étiquettes.
- Lire attentivement les informations sur la batterie/chargeur à batterie avant l'installation, l'entretien ou l'utilisation de votre lève-patient.

### 2.2.10 Mise au rebut



#### AVERTISSEMENT

- Ce produit a été fourni par un fabricant sensible à l'environnement qui respecte les normes de Waste Electrical and Electronic Equipment (WEEE) 2002/96/CE.
- L'appareil comprend des accumulateurs au plomb-acide. NE les jetez PAS dans les déchets ménagers. Apportez-les dans un lieu destiné à cet effet.
- Communiquez avec une entreprise de gestion de déchets de votre région pour obtenir de plus amples renseignements.
- Ce produit peut contenir des substances qui pourraient être nuisibles à l'environnement s'il est jeté dans des décharges qui ne respectent pas les normes légales appropriées.
- Soyez respectueux de l'environnement et déposez ce produit à votre établissement de recyclage lorsque vous n'en avez plus besoin.

## 2.3 Interférence aux fréquences radioélectriques




### **AVERTISSEMENT**

-Les ondes radio (RFI) interfèrent avec la plupart des appareils électroniques. Éviter d'utiliser des appareils de communication portables à proximité d'équipements pouvant émettre des RFI. Si les RFI causent des comportements inhabituels, APPUYER IMMÉDIATEMENT sur L'INTERRUPTEUR D'ARRÊT rouge. NE PAS remettre l'interrupteur en marche pendant la transmission.

## 3 Étiquettes sur le product

**AVERTISSEMENT**



Avant d'utiliser le lève-personne, pour assurer une utilisation adéquate et une exécution sécuritaire des procédures, LIRE et COMPRENDRE le manuel de l'utilisateur.

**AVERTISSEMENT**

Limite de poids: 600 livres.

Le lève-personne Invacare N'EST PAS un appareil de transport.

N'engagez PAS les roulettes sur toute surface inégale qui pourrait risquer de faire basculer le lève-personne.

NE PAS bloquer les roues du lève-personne lorsque vous soulevez un patient. Les roues doivent restées DÉBLOQUÉES pour permettre au lève-personne de se stabiliser tout au long de la procédure de levage.


N'utilisez que les toiles et les accessoires de lève-personne Invacare.

Pour l'entretien et le remplacement, n'utilisez que les composants conçus pour ce modèle de lève-personne. Consultez l'étiquette du produit pour avoir de l'information sur le modèle.

Customer Service  
1-800-333-6900

118028 Rev. C

**AVERTISSEMENT**



Avant d'utiliser le lève-personne, pour assurer une utilisation adéquate et une exécution sécuritaire des procédures, LIRE et COMPRENDRE le manuel de l'utilisateur.

**AVERTISSEMENT**

Limite de poids: 450 livres.

Le lève-personne Invacare N'EST PAS un appareil de transport.

N'engagez PAS les roulettes sur toute surface inégale qui pourrait risquer de faire basculer le lève-personne.

NE PAS bloquer les roues du lève-personne lorsque vous soulevez un patient. Les roues doivent restées DÉBLOQUÉES pour permettre au lève-personne de se stabiliser tout au long de la procédure de levage.

N'utilisez que les toiles et les accessoires de lève-personne Invacare.

Pour l'entretien et le remplacement, n'utilisez que les composants conçus pour ce modèle de lève-personne. Consultez l'étiquette du produit pour avoir de l'information sur le modèle.

Customer Service  
1-800-333-6900

118029 Rev. C


**AVERTISSEMENT**

Le pivot du mât DOIT être serré afin d'assurer l'utilisation sécuritaire de votre lève-personne. Le boulon doit être vérifié au moins tous les six (6) mois lors de l'entretien régulier. Se référer au manuel de l'utilisateur.

PH 118028 Rev. C

**Étiquette située sur la toile**

Comfort Sling without Commode Opening



**WARNING**

**WEIGHT LIMITATION**  
The maximum weight limitation of the sling and person it may lift. DO NOT exceed the maximum weight limitation of the sling or patient lift. BEFORE using the Sling, READ and UNDERSTAND the Owner's Manual for proper operation and safety procedures.

**USE ONLY on Invacare LIFTS, Manual, lift, crut, tripod or mobile lift/air and avoid metal in injury. Disposal IMMEDIATELY. DO NOT** other slings.

**WEIGHT LIMITATION**  
The maximum weight limitation of the sling and person it may lift. DO NOT exceed the maximum weight limitation of the sling or patient lift. BEFORE using the Sling, READ and UNDERSTAND the Owner's Manual for proper operation and safety procedures.

**USE ONLY on Invacare LIFTS, Manual, lift, crut, tripod or mobile lift/air and avoid metal in injury. Disposal IMMEDIATELY. DO NOT** other slings.

Size	Order #	Net Weight	Weight Limitation
S	2468664	2483900	600 lb (272 kg)
M	2468777	2483900	600 lb (272 kg)
L	2468779	2483970	600 lb (272 kg)
JL	2467088	2483947	600 lb (272 kg)

Comfort Sling without Commode Opening

118028 Rev. C

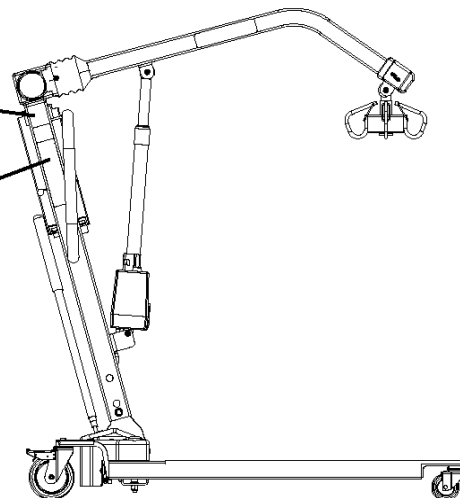


Fig. 3-1

## 4 Renseignements techniques


### 4.1 Lève-patient

	450 LB	600 LB
	PROFIL BAS	PROFIL BAS
Hauteur du crochet–MAX	74-pouces	68-pouces
Hauteur du crochet–MIN	24-pouces	28-pouces
Largeur base OUVERTE	41.0-pouces	
Largeur base FERMÉE	26.5-pouces	
Hauteur de la base (dégagement)	4.5-pouces	
Longueur de la base	48.0-pouces	
Dia. roulettes (AVANT/ARRIÈRE)	3.0/5.0-pouces	
Options des toiles	3 styles	1 style
Capacité de levage	450 lb	600 lb
Poids dans la boîte	133 lb	138 lb
Poids hors de la boîte	106 lb	112 lb
Batterie	24V DC (RCHBL)	
Entrée du chargeur	100-240V AC	
Sortie du chargeur/Temps de charge	29.5V DC maximum 6 heures	
Accessoires	Échelle numérique	

Alarme visuelle batterie faible	Oui
Dispositifs de sécurité du moteur	Dispositif de dégagement
Effort/charge (selon la charge et l'utilisation)	100-200 cycles par charge
Garantie électronique	1 an

## 4.2 Toiles plein corps, croisée, et de toilette

Spécification	Plein Corps			Plein Corps avec Ouverture			Croisée				De Toilette	Robuste Sans Ouverture	Robuste Avec Ouverture
	R110 R112*	R111 R113*	R114	R115	R116	R117*	R100P	R100	R101	R102	R121	R140*	R141*
Grandeur	M	L	XL	M	L	XL	P	M	L	XL	L	N/A	N/A
Largeur	41.5	45.5	45.5	41.5	45.4	45.5	33	37.5	41	44.5	36	45	45
Ouverture	N/A	N/A	N/A	8	8	9	N/A	N/A	N/A	N/A	N/A	N/A	13
Longueur	54.7	60.5	65.3	54.7	60.5	65.3	59.8	62.8	67.8	72.3	37	55	55
Ouverture	N/A	N/A	N/A	11	11	13	N/A	N/A	N/A	N/A	N/A	N/A	13
Dossier	N/A	N/A	N/A	N/A	N/A	N/A	29.2	35.7	41.7	43.2	N/A	N/A	N/A
Capacité de poids	450	450	450	450	450	450	450	450	450	450	450	600	600

 \*Les toiles sont fabriquées d'étoffe à ouvertures. Toutes les dimensions sont en pouces sauf avis contraire.



### 4.3 Pèse-personne Reliant RLS6

Échelle de poids	Jusqu'à 272.7 kg (600 lb)
Résolution	+/- 0.1 kg (0.2 lb)
Écran	Numérique à cristaux liquides
Fermeture automatique	Deux minutes
Dimension	5 3/4 in L X 3 5/8 in W X 4 in H (14.6 X 9.2 X 10.2 cm)
Poids	.55 lb (.25 kg)
Puissance	Pile alcaline volts (incluse)
Durée de vie–batterie	Environ 1500 lectures
Écart de température	10° to 40°C (50° to 104°F)

## 5 Assemblage

### 5.1 Assemblage du Lève-Patient



#### AVERTISSEMENT

-Utiliser SEULEMENT les pièces Invacare pour l'assemblage de ce lève-patient. Les pieds de base, le mât, la membrure et la barre de suspension sont fabriqués selon des spécifications qui assurent un alignement correct de toutes les pièces pour un fonctionnement en toute sécurité.

#### 5.1.1 Déballer le Lève-Patient

1. Déballer les composantes de la boîte de carton.



Laisser en place l'emballage plastique qui retient la perche au mât. L'emballage de plastique sera retiré lors de 5.1.3 *Assembler de l'actionneur de la membrure, page 93.*

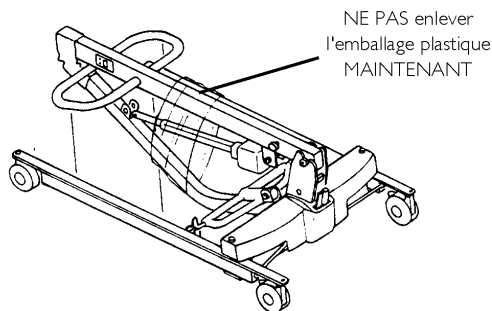
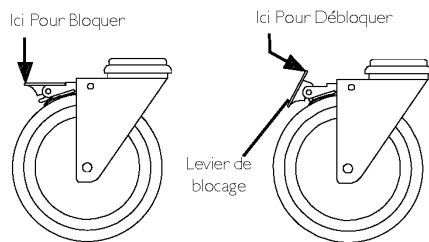


Fig. 5-1

### 5.1.2 Assembler le Mât et la Base

1. Si le lève-patient est muni de roulettes qui bloquent, les bloquer.



*Fig. 5-2*

2. Enlever le boulon à épaulement, l'écrou et la rondelle qui place le mât dans la découpe en U de la base.
3. Mettre le mât à la verticale et le placer dans la découpe en U de la base.
4. Insérer le boulon à épaulement et les rondelles dans la base et le mât.
5. Fixer avec l'écrou.

**AVERTISSEMENT**

-Le mât peut être enlevé de la base pour le transport ou l'entreposage. Chaque fois que le mât est enlevé et remis dans sa base, le mât DOIT être bien fixé à l'ensemble de la base.

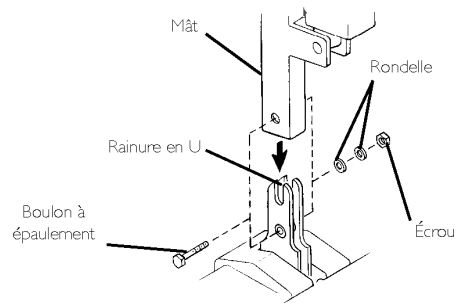
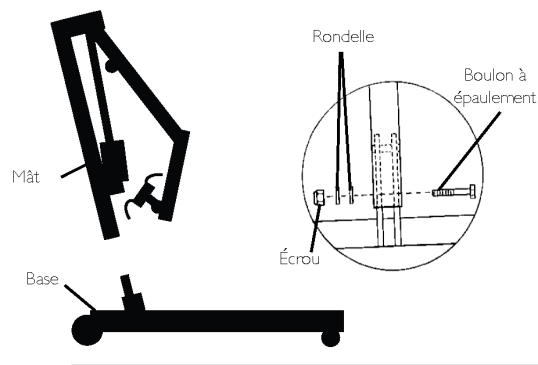



Fig. 5-3

### 5.1.3 Assembler de l'actionneur de la membrure



#### ATTENTION

-NE PAS trop serrer le boulon et l'écrou. Ceci endommage le support de montage.

1. Enlever le boulon de carrosserie, la rondelle et l'écrou du support de montage de l'ensemble de la perche. Assurez-vous que les raccords préinstallés se trouvent dans l'œil de la tige du vérin.
2. Déballez la bague de plastique de la boîte de carton du lève-patient.
  -  Le dessous de l'assemblage de l'actionneur sera déjà assemblé au support de fixation du mât.
3. Couper l'emballage plastique qui fixe le mât et la perche ensemble.
4. Soulever la perche et la placer sur votre épaule gauche.
5. Placez l'actionneur de la membrure sur votre épaule et faites pivoter le bout d'arbre de l'assemblage de l'actionneur jusqu'à ce qu'il s'aligne avec les orifices de fixation de l'assemblage de la membrure.

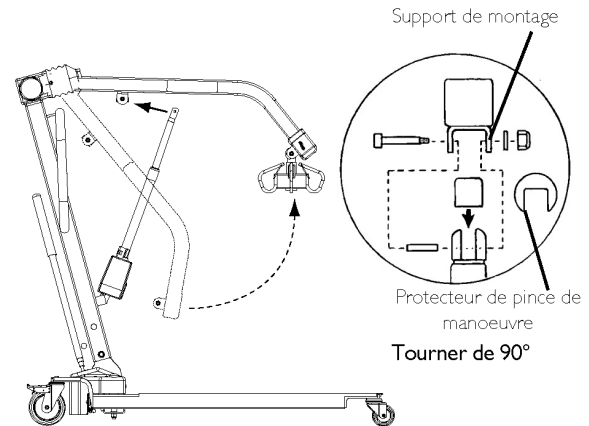



Fig. 5-4

6. Placer la bague de plastique par dessus l'extension de l'arbre du déclencheur.
7. Aligner les orifices du support de montage de la perche avec ceux du déclencheur et insérer le boulon. Fixer avec l'écrou.
  -  S'assurer que le boulon est complètement inséré dans les orifices du support de montage du bras et du vérin. Le bras pivotera facilement si la quincaillerie est bien alignée au moment de fixer le bras au mât.
8. Branchez les connecteurs électriques de l'actionneur au dessous de l'assemblage de la batterie.

9. Brancher la manette à la base de l'ensemble de batteries.



La base du vérin sera déjà assemblée au support de montage du mât.

## 5.2 Installer la poignée d'embrayage

1. Sortir le levier de la boîte.
2. Aligner les filets du levier avec ceux de l'ouverture filetée de la base.
3. Tourner le levier dans le sens des aiguilles d'une montre et bien serrer dans la base.

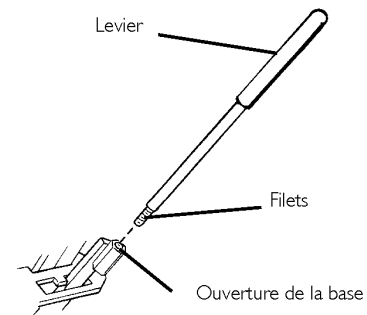


Fig. 5-5

## 6 Fonctionnement

### 6.1 Fonctionnement du Lève-Patient



Bien que Invacare recommande la présence de deux assistants pour la préparation du levage et pour les procédures de transferts de et vers, nos équipements peuvent opérer correctement avec un assistant seul. La présence d'un assistant seul sera basé sur l'opinion du médecin pour chaque cas individuel.

#### 6.1.1 Pour Fermer/Ouvrir les Pattes de L'ensemble de la Base

Le levier est utilisé pour ouvrir et fermer les pattes de la base pour assurer la stabilité au moment de soulever le patient.



#### **AVERTISSEMENT**

-L'utilisation du lève-patient est facile et sécuritaire. NE PAS essayer de transférer un patient sans le consentement de son médecin, infirmier ou assistant médical. Lire attentivement les instructions du manuel de l'utilisateur, observer une équipe d'experts pratiquer la manoeuvre de levage et répéter ensuite plusieurs fois toute la procédure sous supervision avec une personne en santé comme patient. Pour garantir le maximum de stabilité et de sécurité, les pattes du lift doivent être en position ouverte extrême et le levier de déplacement en position verrouillée. S'il s'avérait nécessaire de refermer les pattes du lift pour le déplacer sous le lit, ne les refermer que le temps minimum nécessaire pour le placer au-dessus du patient et pour soulever le patient hors de son lit. Dès que les pattes du lift ne sont plus sous le lit, ramenez-les en position ouverte extrême et verrouillez immédiatement le levier de déplacement.

## Fermer les pattes

1. Se placer à l'arrière du lève-patient et saisir le levier avec une main et placer l'autre main sur la poignée de direction du mât pour assurer l'équilibre.



Le levier DOIT bloquer dans son encoche de montage pour bloquer les pattes en position complètement ouverte ou fermée.



### AVERTISSEMENT

- Si le levier n'est PAS bien placé dans son encoche de montage, NE PAS utiliser le lève-patient jusqu'à ce que le levier soit bien placé et que les pattes du lève-patient soient BLOQUÉES en place, sinon des blessures et/ou des dommages peuvent survenir.

2. Tirer la poignée d'embrayage loin du lève-patient puis vers votre gauche jusqu'à ce qu'elle bloque dans l'encoche du support.

## Ouvrir les pattes

1. Se placer à l'arrière du lève-patient et saisir le levier avec une main et placer l'autre main sur la poignée de direction du mât pour assurer l'équilibre.



Le levier DOIT bloquer dans son encoche de montage pour bloquer les pattes en position complètement ouverte ou fermée.

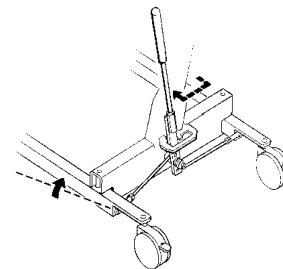


### AVERTISSEMENT

- Si le levier n'est PAS bien placé dans son encoche de montage, NE PAS utiliser le lève-patient jusqu'à ce que le levier soit bien placé et que les pattes du lève-patient soient BLOQUÉES en place, sinon des blessures et/ou des dommages peuvent survenir.

2. Tirer la poignée d'embrayage loin du lève-patient puis vers votre DROITE.

## Fermer les pattes



## Ouvrir les pattes

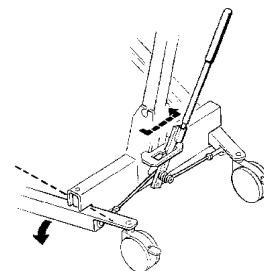


Fig. 6-1



### 6.1.2 Élévation/Abaissement du lève-personne




#### AVERTISSEMENT

-Invacare recommande DE NE PAS bloquer les roulettes arrière du lève-patient lorsque vous soulevez un patient. Cela pourrait faire basculer le lève-patient et mettre en danger le patient et les assistants. Invacare RECOMMANDE de laisser les roulettes arrière DÉBLOQUÉES pendant la procédure de levage pour permettre au lève-patient de se stabiliser lorsque le patient est soulevé d'une chaise, d'un lit ou d'un autre objet fixe.

#### Lever le Lève-Patient

Appuyer sur le poussoir UP (  ) pour lever la perche et le lève-patient.

#### Baisser le Lève-Patient

Appuyer sur le poussoir DOWN (  ) pour baisser la perche et le patient.

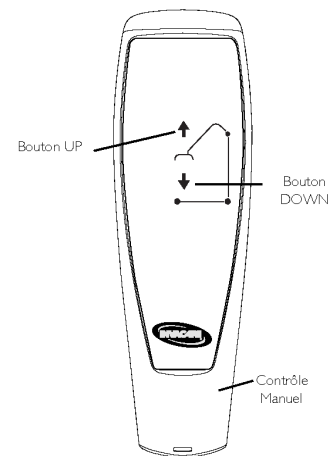


Fig. 6-2

### 6.1.3 Actionner le Système de Dégagement d'urgence Mécanique

#### Système de dégagement d'urgence primaire

Pour activer le déverrouillage d'urgence primaire, insérez un stylo dans le trou portant l'étiquette Urgence sur la boîte de commande du lève-personne et appuyez sur la membrure en même temps. Tous les actionneurs du lève-personne sont munis d'un déverrouillage d'urgence mécanique. Le déverrouillage mécanique permet à l'actionneur de se rétracter sans alimentation. L'actionneur se rétractera seulement si une charge est portée et que le déverrouillage d'urgence est tiré. Le levier de déverrouillage est de couleur rouge orangé et le mot Urgence est inscrit en blanc.

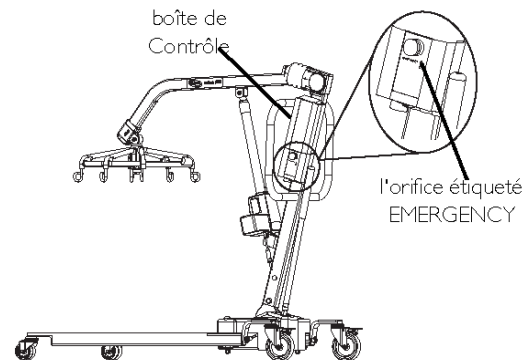



Fig. 6-3

## Système de dégagement d'urgence

 Il est recommandé d'utiliser le système de dégagement d'urgence primaire. Le système de dégagement d'urgence secondaire est un système de secours du système primaire.

Si le système de dégagement primaire ne fonctionne pas ou ne peut être atteint, le système de dégagement d'urgence secondaire peut être utilisé.

Pour activer le déverrouillage secondaire, tirez sur la poignée d'URGENCE et appuyez simultanément sur la membrure.

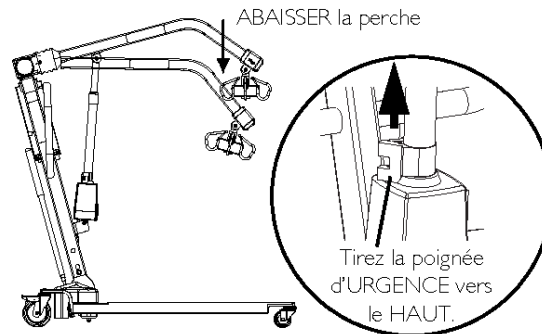


Fig. 6-4

### 6.1.4 Exécuter un arrêt d'urgence

Appuyer sur le bouton ROUGE de la boîte de contrôle pour arrêter les bras du lève-patient et immobiliser le patient.

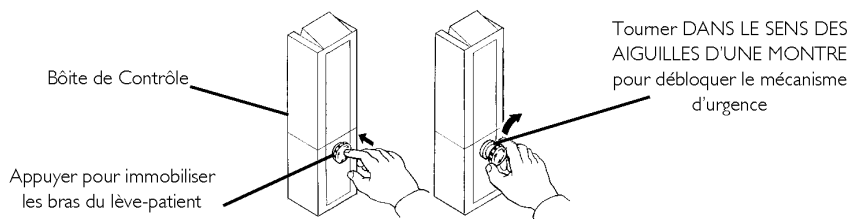



Fig. 6-5

## 6.2 Installer le Chargeur à Batterie

 Se référer aux instructions pour les procédures de montage adéquates.

1. Placer le chargeur à batterie avec le support de montage sur le mur à la position voulue.
2. À l'aide d'un crayon, marquer la position du MILIEU de l'orifice.
3. Mesurer 16.5 cm vers le bas à partir de la marque et percer un orifice de montage.
4. Installer la vis de montage du BAS et laisser un jeu de 3.2 mm entre la tête de la vis et le mur.
5. Installer le chargeur à batterie avec le support de montage sur la vis de montage du bas.
6. Percer les deux derniers orifices de montage.
7. Insérer les deux dernières vis de montage dans le support de montage et visser dans le mur. Bien serrer.
8. Brancher le chargeur à batterie dans la prise murale.

 La DEL "ON" (en marche) devrait s'allumer.

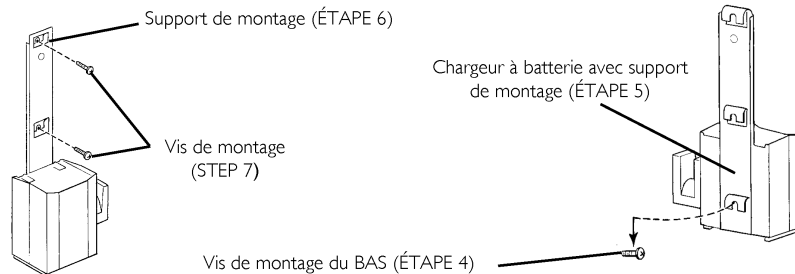



Fig. 6-6

### 6.2.1 Charger les Batteries

 Invacare recommande de recharger la batterie quotidiennement pour prolonger sa durée de vie. Une alarme sonore résonnera lorsque la batterie est déchargée.

1. Soulever la poignée sur le dessus de la batterie.
2. Soulever la batterie et l'éloigner de la boîte de contrôle.



#### AVERTISSEMENT

-S'assurer d'entendre le déclic qui confirme que la batterie est correctement installée, sans quoi des blessures ou des dommages peuvent survenir. Se référer à figure pour un montage adéquat.

3. Placer la batterie sur le chargeur à batterie tel qu'illustré. S'assurer de bien entendre le déclic.



La DEL s'allumera. Lorsque la charge est complétée, la DEL s'éteint.

Une batterie mettra quatre heures à se recharger complètement.

4. Soulever la poignée sur le dessus de la batterie.
5. Soulever la batterie et l'éloigner du chargeur à batterie.



#### AVERTISSEMENT

-S'assurer d'entendre le déclic qui confirme que la batterie est correctement installée, sans quoi des blessures ou des dommages peuvent survenir. Se référer à figure pour un montage adéquat.

6. Réinstaller la batterie sur la boîte de contrôle tel qu'illustré. S'assurer d'entendre le déclic.



La batterie s'installe à la boîte de contrôle et au chargeur tel qu'illustré.

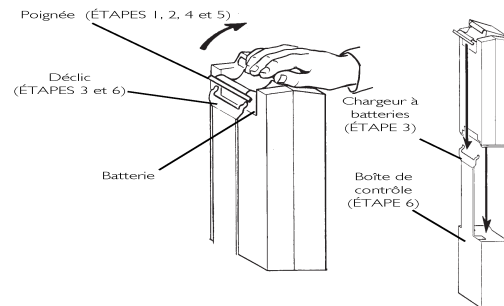




Fig. 6-7

## 7 Soulever Patient

### 7.1 Préparation Pour le Levage

 Bien que Invacare recommande la présence de deux assistants pour la préparation du levage et pour les procédures de transferts de et vers, nos équipements peuvent opérer correctement avec un assistant seul. La présence d'un assistant seul sera basé sur l'opinion du médecin pour chaque cas individuel.

#### 7.1.1 Préparer le lève-patient

 Se référer à résumé des consignes de ce manuel avant de continuer et respecter tous les avertissements. Avant de placer les pattes du lève-patient sous le lit, s'assurer que la zone est libre de toute obstruction.



#### **AVERTISSEMENT**

-Pour garantir le maximum de stabilité et de sécurité, les pattes du lift doivent être en position ouverte extrême et le levier de déplacement en position verrouillée. S'il s'avérait nécessaire de refermer les pattes du lift pour le déplacer sous le lit, ne les refermer que le temps minimum nécessaire pour le placer au-dessus du patient et pour soulever le patient hors de son lit. Dès que les pattes du lift ne sont plus sous le lit, ramenez-les en position ouverte extrême et verrouillez immédiatement le levier de déplacement.

1. Une fois les pattes de la base en position OUVERTE et BLOQUÉE, utiliser la poignée pour placer le lève-patient.
2. Baisser le lève-patient pour faciliter l'installation de la toile.

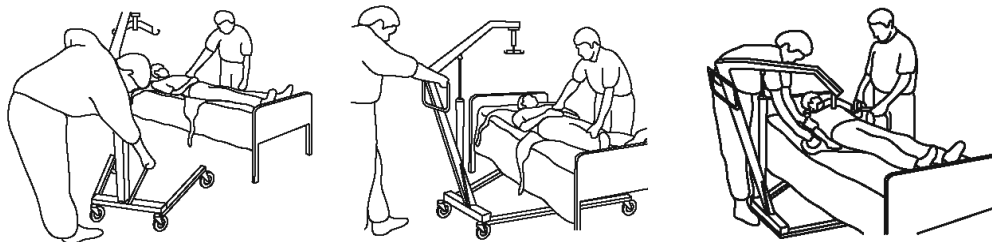


Fig. 7-1

### 7.1.2 Fixer la toile au lève-patient

1. Placer les courroies de la toile sur les crochets de la barre à rotule.
2. Faire correspondre les couleurs de chaque côté de la toile pour soulever le patient à niveau, se référer à la figure.

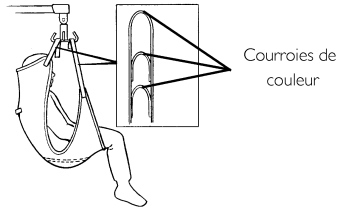


Les toiles plein corps modèles R110 - R117 et les toiles de toilette modèles 120 - 122 ont quatre courroies. La toile croisée modèles 100 - 102 et modèles 1000 - 1010 ont six courroies.

Les barres rotule du lève-patient Invacare possèdent trois points d'ancrage par côté. Le crochet du MILIEU est utilisé SEULEMENT avec les toiles qui ont trois jeux de courroies par côté ou les toiles utilisant des chaînes ou des courroies réglables.

3. Utiliser le lève-patient. Se référer à 7.2 Soulever/Déplacer le Patient, page 104.

**SCHÉMA A - TOILE PLEIN CORPS OU ROBUSTE AVEC OU SANS OUVERTURE (QUATRE COURROIES SEULEMENT)**



**SCHÉMA B - TOILE CROISÉE AVEC OUVERTURE (SIX COURROIES)**

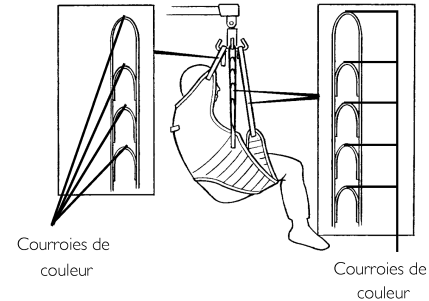



Fig. 7-2

## 7.2 Soulever/Déplacer le Patient




NE PAS bloquer les roulettes arrière lorsque le patient est installé dans le lève-patient.

1. Appuyez sur le (  ) bouton de MONTÉE du lit pour soulever le patient au-dessus du lit. Le patient doit-être suffisamment soulevé pour dégager le lit et pour que son poids soit entièrement supporté par le lève-patient.
2. Lorsque le patient est soulevé du lit, (la tête du patient supportée par la toile ou/et par l'assistant), il sera soulevé en position assise (Schema A).



**AVERTISSEMENT**

- Lorsque la toile est à quelques pouces de la surface du lit, et avant de déplacer le patient, revérifier si la toile est bien accrochée à la barre à rotule. Si les attaches NE SONT PAS bien en place, abaisser le patient sur la surface stationnaire et corriger le problème, sans quoi des blessures ou des dommages peuvent survenir.
- Les ajustements pour le confort et la sécurité devraient être faits avant de déplacer le patient. Les bras du patient devraient être à l'intérieur des courroies.
- Les toiles Invacare sont spécifiquement conçues pour être utilisées avec les lève-patients Invacare. Pour la sécurité du patient, NE PAS substituer les toiles et les lève-patients fabriqués par différents manufacturiers.

3. Une fois le patient soulevé au-dessus du lit, faire pivoter ses pieds à l'extérieur du lit (Schema B).
4. À l'aide de la poignée, éloigner le lève-patient du lit.
5. Lorsque vous éloignez le patient du lit, le tourner de façon à ce qu'il soit face à l'assistant qui fait fonctionner le lève-patient (Schema C).
6. Appuyer sur le bouton BAS (↓) pour abaisser le patient de façon à ce que les pieds du patients soient appuyés sur la base du lève-patient, de chaque côté du mât.
  -  Le centre de gravité plus bas assure de la stabilité, donne de la confiance au patient et rend le lève-patient plus facile à déplacer.
7. Éloigner le lève-patient du lit et pousser par derrière avec les deux mains sur la poignée.

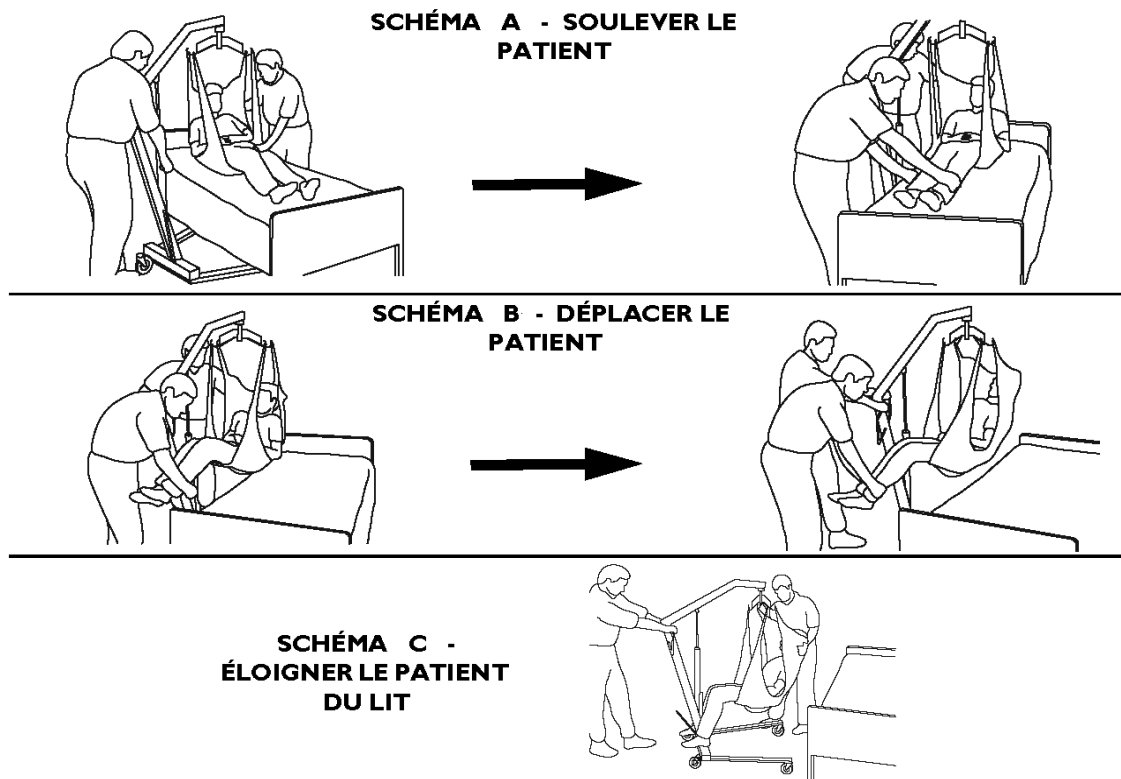




Fig. 7-3

## 8 Transférer le Patient

### 8.1 Transférer le Patient pour Utiliser une Chaise D'aisance ou une Toilette

 Bien que Invacare recommande la présence de deux assistants pour la préparation du levage et pour les procédures de transferts de et vers, nos équipements peuvent opérer correctement avec un assistant seul. La présence d'un assistant seul sera basé sur l'opinion du médecin pour chaque cas individuel.

Les toiles avec ouverture sont conçues pour être utilisées sur une chaise d'aisance ou une toilette.

 Invacare recommande de laisser les toiles fixées aux crochets de la barre à rotule pendant que le patient utilise la chaise d'aisance ou la toilette.



#### AVERTISSEMENT

- Lorsque la toile est à quelques pouces de la surface du lit, et avant de déplacer le patient, revérifier si la toile est bien accrochée à la barre à rotule. Si les attaches NE SONT PAS bien en place, abaisser le patient sur la surface stationnaire et corriger le problème, sans quoi des blessures ou des dommages peuvent survenir.
- Pour assurer la sécurité et le confort du patient, les réglages doivent être faits avant de déplacer le patient. Les bras du patient doivent être à l'intérieur des courroies.
- Les toiles Invacare sont fabriquées pour être utilisées spécifiquement avec les lève-patients Invacare. Pour la sécurité du patient NE PAS interchanger les toiles et les lève-patients de différents manufacturiers.
- Invacare recommande de NE PAS bloquer les roulettes arrière du lève-patient lorsque vous soulevez un patient. Cela pourrait faire basculer le lève-patient et mettre en danger le patient et l'assistant. Invacare RECOMMANDE de laisser les roulettes arrière DÉBLOQUÉES pendant la procédure de levage pour permettre au lève-patient de se stabiliser lorsque le patient est soulevé d'une chaise, d'un lit ou d'un autre objet fixe.
- Pour garantir le maximum de stabilité et de sécurité, les pattes du lift doivent être en position ouverte extrême et le levier de déplacement en position verrouillée. S'il s'avérait nécessaire de refermer les pattes du lift pour le déplacer sous le lit, ne les refermer que le temps minimum nécessaire pour le placer au-dessus du patient et pour soulever le patient hors de son lit. Dès que les pattes du lift ne sont plus sous le lit, ramenez-les en position ouverte extrême et verrouillez immédiatement le levier de déplacement.

### 8.1.1 Transférer vers une chaise d'aisance

1. Avant de soulever du lit le patient, se référer à la 7.1.2 *Fixer la toile au lève-patient, page 103*. Pour le fonctionnement du lève-patient, se référer à la 6 *Fonctionnement, page 95*.
2. Le patient devrait être soulevé suffisamment haut pour dépasser les appuie-bras de la chaise d'aisance et pour que le poids du patient soit entièrement supporté par le lève-patient.
3. Avec l'aide de deux assistants, guider le patient sur la chaise d'aisance.
4. Abaisser le patient sur la chaise d'aisance en laissant la toile fixée aux crochets de la barre à rotule.
5. Une fois terminé, revérifier les attaches et soulever le patient de la chaise d'aisance.
6. Une fois le patient suffisamment soulevé de la chaise d'aisance (en utilisant la poignée de conduite), éloigner le lève-patient de la chaise d'aisance.
7. Pour ramener le patient sur le lit, inverser les procédures pour soulever le patient, pour le fonctionnement et pour fixer la toile.
8. Pour ramener ou installer le patient dans un fauteuil roulant se référer à 8.3 *Transférer vers un Fauteuil Roulant, page 111*.

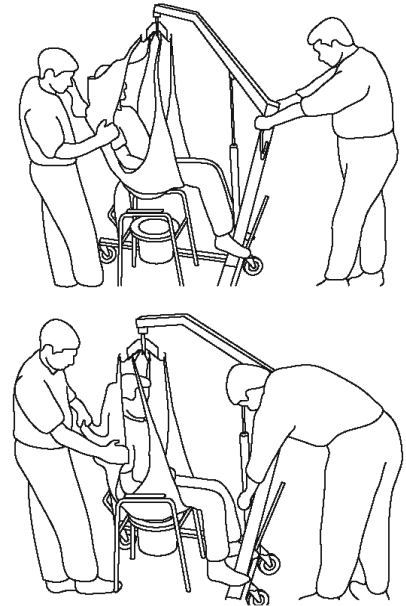


Fig. 8-1

### 8.1.2 Transférer vers une toilette



Bien que Invacare recommande la présence de deux assistants pour la préparation du levage et pour les procédures de transferts de et vers, nos équipements peuvent opérer correctement avec un assistant seul. La présence d'un assistant seul sera basé sur l'opinion du médecin pour chaque cas individuel.

Le lève-patient Invacare N'est PAS conçu comme appareil de transport. Déplacer une personne suspendue dans la toile sur une longue distance N'est PAS recommandée. Si les toilettes NE SONT PAS près du lit ou si le lève-patient ne peut pas être déplacé facilement vers la chaise d'aisance, le patient DOIT être transféré dans un fauteuil et transporté aux toilettes, avant d'utiliser le lève-patient à nouveau pour installer le patient sur une chaise d'aisance standard. Se référer à *8.3 Transférer vers un Fauteuil Roulant, page 111*.

Avant de transférer le patient, le lève-patient devrait être déplacé vers les toilettes pour vérifier s'il est possible de le déplacer facilement vers la chaise d'aisance.

1. Avant de soulever du lit le patient, se référer à la *7.1.2 Fixer la toile au lève-patient, page 103*. Pour le fonctionnement du lève-patient, se référer à la *6 Fonctionnement, page 95*.
2. Transporter le patient aux toilettes.
3. Le patient devrait être soulevé suffisamment haut pour dégager la toilette et pour que le poids du patient soit entièrement supporté par le lève-patient.
4. Avec l'aide des deux assistants, guider le patient sur la toilette.
5. Abaisser le patient sur la toilette en laissant la toile fixée aux crochets de la barre à rotule.
6. Une fois terminé, revérifier les attaches et soulever le patient de la toilette.
7. Une fois le patient suffisamment soulevé de la toilette (en utilisant la poignée de conduite), éloigner le lève-patient de la toilette.
8. Pour ramener ou installer le patient dans un fauteuil roulant se référer à *8.3 Transférer vers un Fauteuil Roulant, page 111*.
9. Pour ramener le patient sur le lit, inverser les procédures pour soulever le patient, pour le fonctionnement et pour fixer la toile.

## 8.2 Transférer dans une Baignoire



Bien que Invacare recommande la présence de deux assistants pour la préparation du levage et pour les procédures de transferts de et vers, nos équipements peuvent opérer correctement avec un assistant seul. La présence d'un assistant seul sera basé sur l'opinion du médecin pour chaque cas individuel.



### AVERTISSEMENT

- Lorsque la toile est à quelques pouces de la surface du lit, et avant de déplacer le patient, revérifier si la toile est bien accrochée à la barre à rotule. Si les attaches NE SONT PAS bien en place, abaisser le patient sur la surface stationnaire et corriger le problème, sans quoi des blessures ou des dommages peuvent survenir.
- Pour assurer la sécurité et de confort du patient, les réglages doivent être faits avant de déplacer le patient. Les bras du patient doivent être à l'intérieur des courroies.
- Les toiles Invacare sont fabriquées pour être utilisées spécifiquement avec les lève-patients Invacare. Pour la sécurité du patient NE PAS interchanger les toiles et les lève-patients de différents manufacturiers.
- Invacare recommande de NE PAS bloquer les roulettes arrière du lève-patient lorsque vous soulevez un patient. Cela pourrait faire basculer le lève-patient et mettre en danger le patient et l'assistant. Invacare RECOMMANDE de laisser les roulettes arrière DÉBLOQUÉES pendant la procédure de levage pour permettre au lève-patient de se stabiliser lorsque le patient est soulevé d'une chaise, d'un lit ou d'un autre objet fixe.
- Pour garantir le maximum de stabilité et de sécurité, les pattes du lift doivent être en position ouverte extrême et le levier de déplacement en position verrouillée. S'il s'avérait nécessaire de refermer les pattes du lift pour le déplacer sous le lit, ne les refermer que le temps minimum nécessaire pour le placer au-dessus du patient et pour soulever le patient hors de son lit. Dès que les pattes du lift ne sont plus sous le lit, ramenez-les en position ouverte extrême et verrouillez immédiatement le levier de déplacement.



Il existe plusieurs types d'appareils pour la baignoire; ceci n'est qu'un exemple. Se référer aux instructions de votre appareil pour la baignoire et utiliser ces instructions conjointement avec celles de ce manuel de l'utilisateur.

1. Avant de soulever du lit le patient, se référer à la 7.1.2 *Fixer la toile au lève-patient, page 103*. Pour le fonctionnement du lève-patient, se référer à la 6 *Fonctionnement, page 95*.

2. Le patient devrait être soulevé suffisamment haut pour dégager le lit et être capable de glisser la baignoire portative sous le patient.
3. Abaisser le patient dans la baignoire.
4. Détacher la toile des crochets de la barre à rotule et fixer les courroies de la baignoire portative au lève-patient.
5. À l'aide du lève-patient, soulever chaque côté de la baignoire portative.
6. Baigner le patient.
7. Inverser les procédures pour ramener le patient dans son lit.

### 8.3 Transférer vers un Fauteuil Roulant



#### AVERTISSEMENT

- Lorsque la toile est à quelques pouces de la surface du lit, et avant de déplacer le patient, revérifier si la toile est bien accrochée à la barre à rotule. Si les attaches NE SONT PAS bien en place, abaisser le patient sur la surface stationnaire et corriger le problème, sans quoi des blessures ou des dommages peuvent survenir.
- Pour assurer la sécurité et de confort du patient, les réglages doivent être faits avant de déplacer le patient. Les bras du patient doivent être à l'intérieur des courroies.
- Les toiles Invacare sont fabriquées pour être utilisées spécifiquement avec les lève-patients Invacare. Pour la sécurité du patient NE PAS interchanger les toiles et les lève-patients de différents manufacturiers.
- Invacare recommande de NE PAS bloquer les roulettes arrière du lève-patient lorsque vous soulevez un patient. Cela pourrait faire basculer le lève-patient et mettre en danger le patient et l'assistant. Invacare RECOMMANDE de laisser les roulettes arrière DÉBLOQUÉES pendant la procédure de levage pour permettre au lève-patient de se stabiliser lorsque le patient est soulevé d'une chaise, d'un lit ou d'autre objet fixe.
- Avant d'effectuer le transfert, vérifiez si le fauteuil peut supporter le poids du patient.
- Pour garantir le maximum de stabilité et de sécurité, les pattes du lift doivent être en position ouverte extrême et le levier de déplacement en position verrouillée. S'il s'avérait nécessaire de refermer les pattes du lift pour le déplacer sous le lit, ne les refermer que le temps minimum nécessaire pour le placer au-dessus du patient et pour soulever le patient hors de son lit. Dès que les pattes du lift ne sont plus sous le lit, ramenez-les en position ouverte extrême et verrouillez immédiatement le levier de déplacement.



Avant de soulever du lit le patient, se référer à la 7.1.2 *Fixer la toile au lève-patient, page 103*. Pour le fonctionnement du lève-patient, se référer à la 6 *Fonctionnement, page 95*.

Bien que Invacare recommande la présence de deux assistants pour la préparation du levage et pour les procédures de transferts de et vers, nos équipements peuvent opérer correctement avec un assistant seul. La présence d'un assistant seul sera basé sur l'opinion du médecin pour chaque cas individuel.

1. S'assurer que les pattes du lève-patient (avec le patient) sont en position ouverte.
2. Déplacer le fauteuil en position.
3. Enclencher les freins de blocage arrière du fauteuil pour l'empêcher de bouger.



**AVERTISSEMENT**

-Les dispositifs de blocage des roues du fauteuil DOIVENT être enclenchés avant d'abaisser le patient dans le fauteuil roulant.



Utiliser les courroies ou les poignées situées sur le côté et derrière la toile pour guider les hanches du patient le plus au fond possible du siège.



4. Le patient est placé sur le siège avec le dos bien appuyé au dossier au fauteuil.
5. Commencez à abaisser le patient en appuyant sur le bouton de DESCENTE (↓).
6. Un assistant se place derrière le fauteuil et l'autre fait fonctionner le lève-patient. L'assistant placé derrière le fauteuil saisit et tire la poignée ou les côtés de la toile pour bien asseoir le patient au fond du siège. Ceci maintiendra un bon centre de gravité et empêchera le fauteuil de basculer.
7. Laisser la toile en place.
  - ⓘ Enlever seulement si une toile divisée a été utilisée.
8. Pour retourner dans le siège, inverser les procédures pour soulever le patient, pour le fonctionnement et pour fixer la toile.

**AVERTISSEMENT**

-Bien vérifier les attaches de la toile chaque fois que la toile est enlevée et remise, pour s'assurer qu'elle est bien fixée avant de soulever le patient du lit ou du fauteuil.

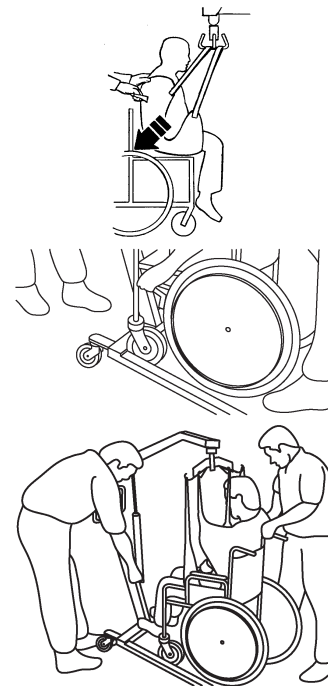


Fig. 8-2


## 9 Dépannage

### 9.1 Dépannage

SYMPTÔMES	CAUSE PROBABLE	SOLUTION
Lève-patient semble lâche.	Joint base/mât déserré. Serre-fils des tiges sont lâches.	Se référer à 5 <i>Assemblage</i> , page 90. Se référer à 10.7 <i>Maintenir le réglage de la base</i> , page 125.
Roulettes/freins bruyants ou raides.	Présence de poussière ou de débris dans les roulements.	Se référer à 10.8 <i>Remplacer les Roulettes et/ou les Fourches</i> , page 126.
Pivots bruyants ou bruit sec.	Besoin de lubrification.	Se référer à 10.2 <i>Lubrification</i> , page 120.

SYMPTÔMES	CAUSE PROBABLE	SOLUTION
L'actionneur ne se soulève pas lorsque le bouton est enfoncé.	Connecteur du contrôle manuel ou du déclencheur lâche.	Charger les batteries. Se référer à 6.2.1 <i>Charger les Batteries, page 101.</i>
	Batteries faibles (à plat).	
	Bouton d'arrêt d'urgence rouge est enfoncé.	Tourner le bouton d'arrêt d'urgence ROUGE DANS LE SENS DES AIGUILLES D'UNE MONTRE jusqu'à ce qu'il ressorte.
	Batteries non connectées correctement à la boîte de contrôle.	Reconnecter la batterie à la boîte de contrôle. Se référer à 6.2.1 <i>Charger les Batteries, page 101</i>
	Bornes de raccordement endommagées.	Remplacer l'ens de batteries. Se référer à 6.2.1 <i>Charger les Batteries, page 101.</i>
	L'actionneur doit être inspecté ou la charge est excessiveh.	Se référer à 10.5 <i>Remplacement de l'actionneur, page 121.</i> Contacter votre fournisseur.
Bruit inhabituel du déclencheur.	Déclencheur usé ou endommagé ou arbre plié.	Se référer à 10.5 <i>Remplacement de l'actionneur, page 121.</i> Contacter votre fournisseur.

SYMPTÔMES	CAUSE PROBABLE	SOLUTION
Les bras du lève-patient ne se baisse plus une fois complètement levés.	Bras du lève patient requièrent un minimum de poids pour baisser.	Appuyer légèrement sur les bras du lève-patient station debout.
Le boulon à épaulement à la jonction du mât peut ne pas être bien installé.	S'assurer que le boulon à épaulement est complètement inséré dans l'orifice de montage et non pas seulement la portion filetée.	Se référer à <i>10.5.1 Vérifier et serrer le boulon à pivot du mât, page 122.</i>

 Si les problèmes ne sont pas résolus par les solutions mentionnées, contacter le fournisseur ou Invacare.

## 10 Entretien

### 10.1 Liste D'inspections pour L'entretien

LA PARTIE	LA TÂCHE	DE BASE	INSTITUTIONNEL VÉRIFIER/RÉGLER 1/MOIS	INSPECTION À LA MAISON TOUS LES SIX MOIS
BASE DES ROULETTES	Vérifier s'il manque de la quincaillerie.	X	X	X
	Base ouvre et ferme facilement.	X	X	X
	Vérifier si les roulettes/boulons sont serrés.	X	X	X
	Vérifier si les roulettes tournent bien.	X	X	X
	Inspectez les roues et éliminez les déchets.	X	X	X
LEVIER	Fonctionne en douceur.	X	X	X
	Bloque la base réglable lorsqu'enclenché.	X	X	X
LE MÂT	Mât DOIT être bien fixé à la perche.	X	X	X
	Vérifier s'il n'est pas plié ou endommagé.	X	X	X

LA PARTIE	LA TÂCHE	DE BASE	INSTITUTIONNEL VÉRIFIER/RÉGLER 1/MOIS	INSPECTION À LA MAISON TOUS LES SIX MOIS
LA PERCHE	Vérifier toute la quincaillerie et la barre à rotule/support.	X	X	X
	Vérifier si elle n'est pas pliée ou endommagée.	X	X	X
	Vérifier si les joints boulonnés sont usés.	X	X	X
	Vérifier si la perche est bien centré entre les deux pattes de la base.	X	X	X
	Vérifier le boulon du pivot du mât sous le protecteur de caoutchouc. S'assurer que le boulon est bien serré.	X	X	X
LA BARRE À ROTULE	Vérifier si le boulon/crochets sont usés ou brisés.	X	X	X
	Vérifier si les crochets sont usés ou pliés.	X	X	X
NETTOYAGE	Lorsque nécessaire.	X	X	X
TOILES ET QUINCAILLERIE	VÉRIFIER TOUTES LES ATTACHES DE LA TOILE à chaque utilisation pour vérifier les raccords et pour la sécurité du patient.	X	X	X
	Vérifier si le tissu de la toile est usé.	X	X	X
	Vérifier si les courroies sont usées.	X	X	X



Pour l'utilisation domestique, une inspection complète est requise pour chaque nouvel utilisateur.

Un nettoyage régulier permettra de voir les pièces lâches ou usées, améliorera la douceur de fonctionnement et prolongera la durée de vie du lève-patient.

Suivre les procédures d'entretien décrites dans ce manuel pour garder votre lève-patient en bon état de fonctionnement.

Le lève-patient d'Invacare est conçu pour procurer un maximum de sécurité, d'efficacité et de satisfaction, avec un minimum d'entretien.

Toutes les pièces du lève-patient sont fabriquées avec de l'acier de grade supérieur; cependant, l'usage intensif du produit entraîne une usure normale du métal par frottement métal sur métal.

Aucun réglage ou entretien des roulettes ou des freins n'est nécessaire mis à part le nettoyage, la lubrification et la vérification des essieux et des boulons de la barre à rotule. Enlever tout débris des roues et des roulements de la barre à rotule. Si des pièces sont usées, les remplacer immédiatement.

Si vous doutez de la sécurité de certaines pièces, contactez votre fournisseur immédiatement et l'avisez du problème.

## 10.2 Lubrification

Le lève-patient est conçu pour nécessiter un minimum d'entretien, toutefois, une vérification et une lubrification tous les six mois assurent sécurité et fiabilité.

Garder les toiles et les courroies propres et en bon état de fonctionnement. Aviser votre fournisseur de tout défaut le plus rapidement possible.

Les roulettes DOIVENT tourner librement et uniformément. Une graisse légère peut être appliquée une fois l'an (lubrifiant hydrofuge pour voiture) au roulement à billes de la barre à rotule des roulettes. En appliquer plus souvent si les roulettes sont exposées à des conditions très humides.

Se référer au diagramme de lubrification pour connaître les endroits à lubrifier. Essuyer tout excès de lubrifiant de la surface du lève-patient.

1. Barre à rotule
2. Support de barre à rotule
3. Bâti du mât/perche
4. Support de montage du mât

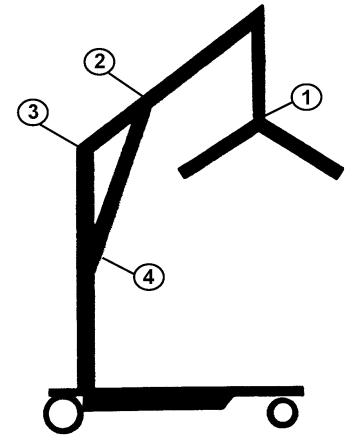


Fig. 10-1

## 10.3 Usure et Dommages

Il est important d'inspecter toutes pièces soumises à un stress, telles que les toiles, la barre déplisseuse et tous les pivots pour les toiles; vérifier s'il y a des signes de craquelure, d'effilochement, de déformation ou de détérioration. Remplacer toutes les pièces défectueuses immédiatement et s'assurer que le lève-patient n'est pas utilisé avant d'être réparé.



## 10.4 Nettoyage de la toile et du lève-personne

Il est impératif d'utiliser le programme de nettoyage pour les couleurs foncés. La toile doit être lavée régulièrement dans une eau dont la température n'excède pas 180 °F (82 °C). Reportez-vous au manuel d'utilisateur de la toile pour les instructions complètes de nettoyage.

Pour nettoyer le lève-personne, vous avez juste besoin d'un chiffon doux humidifié avec de l'eau et un peu de détergent doux. Le lève-personne peut être nettoyé avec des produits nettoyants non abrasifs.

## 10.5 Remplacement de l'actionneur

1. Enlever l'écrou, la rondelle et le boulon à épaulement qui fixent le déclencheur électrique au support de montage du mât.
2. Appuyer la perche sur votre épaule et enlever l'écrou et le boulon du support de barre à rotule.
3. Retirez l'assemblage de l'actionneur.
4. Inverser les étapes pour la réinstallation.



### ATTENTION

NE PAS trop serrer le boulon et l'écrou. Ceci endommage le support de montage.

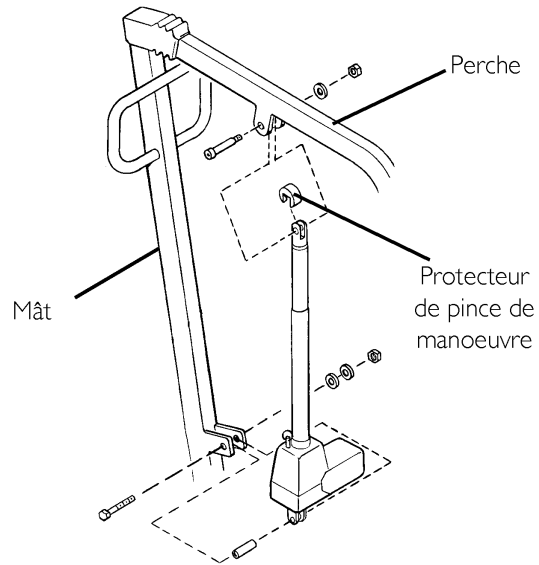


Fig. 10-2

### 10.5.1 Vérifier et serrer le boulon à pivot du mât

1. Soulever l'arrière du soufflet en caoutchouc et le glisser le long du bras.
2. Vérifier si le boulon est inséré dans le support et si l'écrou de blocage est serré et sécuritaire.

3. Si nécessaire, exécuter une ou plusieurs des étapes suivantes:
  - Serrer l'écrou de blocage et reculer l'écrou de blocage de 1/8 de tour.
  - Remplacer l'écrou de blocage.
4. Replacer le soufflet en caoutchouc.

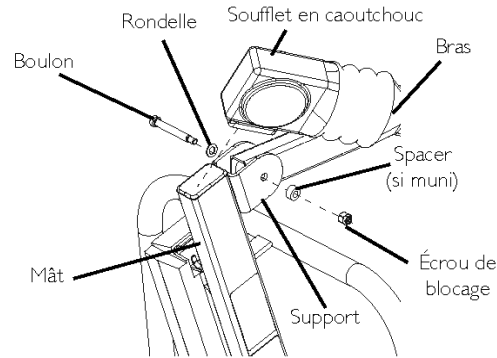


Fig. 10-3

## 10.6 Remplacer la Barre à Rotule



### AVERTISSEMENT

-Après la première année d'utilisation, les crochets de la barre à rotule et des supports de montage de la perche devraient être vérifiés tous les six mois pour évaluer l'usure. Si ces pièces deviennent usées, les remplacer.

1. La barre à rotule est fournie fixée à la perche avec un boulon, un écrou, des rondelles, une bague de plastique et un protecteur.



Consultez les images ci-dessous pour voir le positionnement du boulon/de la rondelle.

La barre à rotule a trois crochets aux deux extrémités pour fixer la toile qui supporte le patient pendant la levée.

2. Enlever la quincaillerie et remplacer la barre à rotule.
3. Resserrez l'écrou de blocage dans le boulon de façon à ce qu'il soit enfoncé.



**ATTENTION**

-NE PAS trop serrer l'écrou et le boulon. Ceci endommage le support de montage.

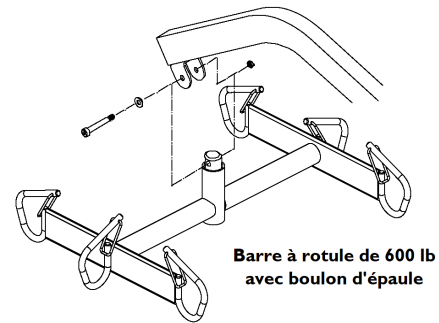
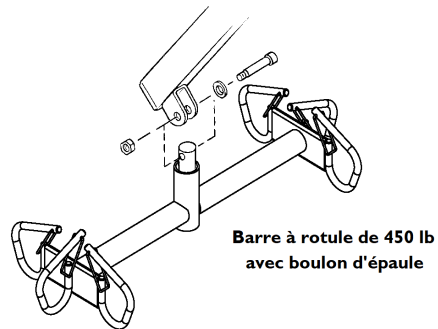


Fig. 10-4

## 10.7 Maintenir le réglage de la base

Le réglage de la base ne devrait nécessiter que l'entretien suivant:

1. Vérifier si les pattes sont à l'ÉQUERRE lorsqu'elles sont FERMÉES.
2. Placer une équerre à l'intérieur des pattes et de la base et déterminer l'angle à 90°.
3. Régler les raccordements à barre pour obtenir un angle de 90°.

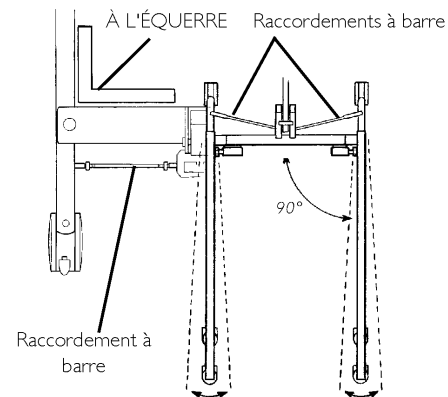


Fig. 10-5

## 10.8 Remplacer les Roulettes et/ou les Fourches

### 10.8.1 Roulettes arrière

1. Placer le lève-patient sur le côté.
2. Enlever le boulon et l'écrou de blocage qui fixent la roulette arrière à la fourche.



La bague sera lâche et pourrait tomber de la roulette. La bague existante sera réutilisée. L'examiner et la remplacer si elle est usée.

3. Installer la nouvelle/ancienne bague dans la nouvelle roulette arrière.
4. Aligner les orifices de montage de la nouvelle roulette et de la fourche.
5. Insérer le boulon dans la fourche et la nouvelle roulette arrière et bien serrer avec l'écrou de blocage.

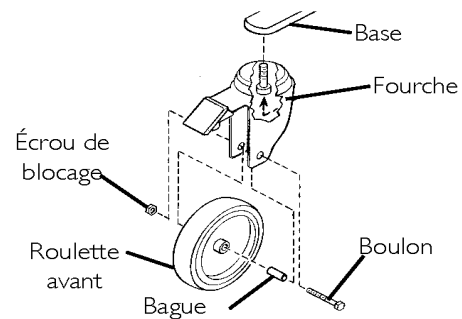


Fig. 10-6

### 10.8.2 Roulettes avant

1. Placer le lève-patient debout sur le côté.
2. Enlever le boulon et l'écrou de blocage qui fixent la roulette avant à la fourche.



L'ensemble des roulettes avant est composé d'une rondelle placée entre deux roulettes.

La rondelle tombera des deux roulettes.

La rondelle existante sera réutilisée. L'examiner et la remplacer si elle est usée.

3. Placer la nouvelle/ancienne rondelle entre les deux nouvelles roulettes.
4. Aligner les orifices de montage des nouvelles roulettes et de la fourche.
5. Insérer le boulon dans la fourche et le nouvel ensemble de roulettes et bien serrer avec l'écrou de blocage.

### 10.8.3 Fourches

1. Placer le lève-patient debout sur le côté.
2. Enlever les roulettes avant et arrière du lève-patient. Se référer à *10.8 Remplacer les Roulettes et/ou les Fourches, page 126*.
3. Dévisser la fourche de la base.
4. Installer la nouvelle fourche sur la base.
5. Installer les roulettes avant et arrière sur le lève-patient debout. Se référer à *10.8 Remplacer les Roulettes et/ou les Fourches, page 126*.

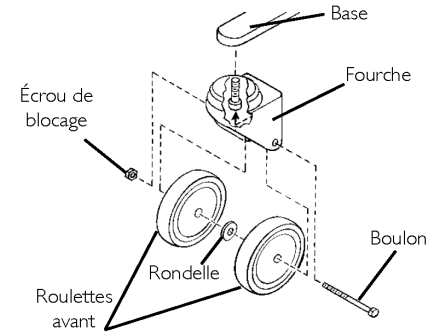


Fig. 10-7

## 11 Accessoires

### 11.1 Pèse-personne Reliant RLS6

Le pèse-personne Reliant est une balance de précision compacte spécifiquement conçue pour les lève-patients Invacare.



#### **DANGER**

Risque de mort, de blessures ou de dommages

- Une mauvaise utilisation de ce produit présente un risque de mort, de blessures ou de dommages matériels.
- Si vous ne comprenez pas les mises en garde, les avertissements ou les instructions, communiquez avec un professionnel de la santé, un détaillant ou un technicien avant d'essayer d'utiliser le produit.
- N'utilisez PAS le produit, ou tout équipement livré en option, sans avoir d'abord lu et compris l'ensemble de ces instructions et toute instruction supplémentaire, comme le manuel d'utilisateur, le manuel de maintenance ou les fiches d'instructions, fournies avec le produit ou l'équipement en option.

#### 11.1.1 Enlever la barre à rotule

1. Enlever le boulon, l'écrou de blocage, le protecteur et la rondelle qui fixent la barre à rotule sur le support de barre à rotule.



Remarque la barre à rotule matériels varie. Se référer à *10.6 Remplacer la Barre à Rotule, page 123*



Conserver le boulon à épaulement pour fixer le pèse-personne au bras. Le protecteur ne servira pas lorsque le pèse-personne sera installé. Le conserver pour l'utiliser sur la barre à rotule sans pèse-personne.

Enlever la quincaillerie de la barre à rotule permet de dégager la barre à rotule, les deux rondelles en nylon et la tige de la barre. Conserver la tige et les deux rondelles en nylon pour les utiliser sur la barre à rotule sans pèse-personne.



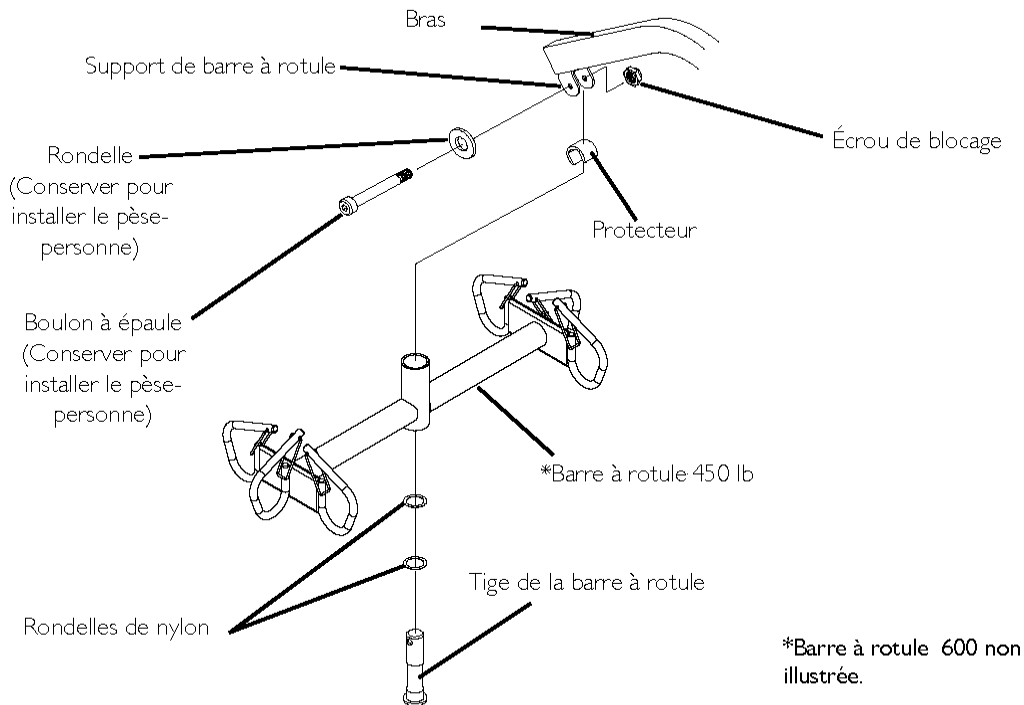




Fig. 11-1

### 11.1.2 Installer le pèse-personne Reliant



#### AVERTISSEMENT

-Le patient et la toile DOIVENT être enlevés du lève-patient pendant TOUTES les procédures d'installation.

1. Placer la cellule du pèse-personne dans le support de barre à rotule. Se référer au Schéma A.  
 Utiliser une rondelle en nylon de 1/4 po.
2. Fixer le pèse-personne au support de barre à rotule avec le contre-écrou nouveau et les matériels supprimé au *11.1.1 Enlever la barre à rotule, page 128*. Bien serrer. Se référer au schéma A pour connaître l'orientation de la rondelle.  
 S'assurer que l'arbre du boulon passe au travers des deux côtés du support de barre à rotule.
3. Resserrez l'écrou de blocage dans le boulon de façon à ce qu'il soit enfoncé.
4. Insérer la tige de la barre à rotule avec deux rondelles en nylon dans la barre à rotule. Se référer au Schéma B.
5. Aligner les orifices de montage de la barre à rotule avec les orifices de montage de la cellule. Se référer au schéma B.
6. Fixer la tige de la barre à rotule dans le cellule avec la vis de montage et l'écrou de blocage fournis. Bien serrer. Se référer au Schéma B de la FIGURE 11.2.




#### AVERTISSEMENT

-Après tout réglage, réparation ou entretien, et AVANT utilisation, s'assurer que toute la quincaillerie de fixation est bien serrée, sans quoi des blessures ou des dommages peuvent survenir.

7. Peser le patient. Se référer à *11.2 Fonctionnement du pèse-personne, page 131* et *11.3 Peser le patient, page 132*.

## 11.2 Fonctionnement du pèse-personne

### 11.2.1 Fonction des touches

Touches	Voyants	Emplacement des Voyants	Definition
ON OFF	OFF	Centre de l'écran	Appuyer sur cette touche allumera le pèse-personne. Lorsque le pèse-personne est déjà allumé, appuyer sur cette touche éteindra l'unité.
ZERO	ZERO	Coin inférieur gauche de l'écran	Appuyer sur cette touche lorsque le pèse-personne est allumé remettra à zéro la lecture du poids affiché à l'écran.
UNITS	lb or kg	Coin supérieur droit de l'écran	Cette touche sert à changer les unités de mesure de livres(lb) à kilogrammes (kg).
LOCK (Verrouillé) UNLOCK (Déverrouillé)	LOCK (Verrouillé)	Coin inférieur droit de l'écran	Cette touche est utilisée pour VERROUILLER ou DÉVERROUILLER la valeur du poids affiché à l'écran.  Lorsque la touche est utilisée en position VERROUILLÉE (LOCK), la valeur du poids affichée est une valeur sauvegardée et ne représente pas le poids courant.
N/D	LO BAT (Batterie Faible)	Centre de l'écran	Note le voyant s'allume à l'écran pour aviser que la charge des batteries est faible.

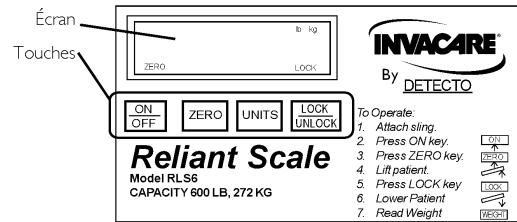


Fig. 11-2

### 11.3 Peser le patient



#### AVERTISSEMENT


- La limite de poids est limitée à la limite de poids la plus faible de toutes les composantes utilisées (ex: lève-patient, pese-personne ou toile). Le poids du patient **NE DOIT PAS** dépasser la limite de poids la plus faible des composantes utilisées.
- NE PAS** utiliser d'objets pointus pour appuyer sur les touches (ex. crayons, stylo, ongles etc). Les touches seront endommagées.

1. Fixer les courroies à la barre à rotule. For proper attachment instructions refer to 7.1.2 *Fixer la toile au lève-patient, page 103.*



Pour plus de précision sur les lève-patient Reliant 450 et 600, fixer toutes les courroies de la toile aux crochets du centre sur les deux côtés de la barre à rotule. Toutefois, pour le confort du patient, les courroies de la toile devront peut-être être fixées différemment.


2. Appuyer sur la touche ON/OFF.

 L'écran indique la dernière valeur de poids mesuré. Le mot 'LOCK'(verrouillé) sera affiché à l'écran.

Appuyer sur le touche ZERO afin d'éviter de saisir le poids de la toile et de la quincaillerie. Si la touche ZERO n'est pas enfoncée, le poids de la toile et de la quincaillerie sera inclus dans la valeur du poids affiché. Ne pas remettre à zéro donnera une fausse lecture du poids de l'utilisateur.

3. Appuyer sur la touche ZERO. Lorsque la touche ZERO est enfoncée, voici ce qui arrive:

- Le pèse-personne se remettra à zéro et le mot 'ZERO' apparaîtra à l'écran.
- La fonction de verrouillage sera éteinte et le mot 'LOCK' disparaîtra de l'écran. Le pèse-personne est maintenant actionné et met continuellement à jour le poids affiché.


 Le pèse-personne est maintenant actionné et met continuellement à jour le poids affiché.

4. Placer le patient dans la toile. Pour placer le patient dans la toile, se référer aux instructions de 6 *Fonctionnement, page 95*.

5. Actionner le mécanisme pour soulever le patient jusqu'à ce qu'il soit complètement soulevé par le lève-personne. Pour les instructions, se référer à 7.1.2 *Fixer la toile au lève-patient, page 103*.

6. Noter la valeur du poids affiché.

7. Lorsque la valeur du poids affiché est stable, appuyer sur la touche LOCK pour verrouiller la valeur du poids. Le mot LOCK apparaîtra à l'écran.

 Le poids du patient restera affiché à l'écran. L'écran s'éteindra automatiquement après deux minutes d'inutilisation. (Aucune variation de lecture de plus de 5 livres (2 kg)). Vous NE pouvez PAS régler le délai de fermeture automatique. Une fois l'écran éteint, le poids peut être ramené à l'écran en appuyant sur la touche ON/OFF. L'unité peut être éteinte en appuyant sur la touche ON/OFF à nouveau.

Une valeur stable est une valeur qui varie de 2/10 de livre. Par exemple, pour un patient pesant 100 livres, la valeur

Appuyer sur la touche UNITS (unités) pour changer les unités de livres à kilogrammes. lb ou kg apparaîtra à l'écran.


8. Le lève-patient peut maintenant être abaissé et la toile enlevée du patient.



Le poids du patient restera affiché à l'écran. L'écran s'éteindra automatiquement après deux minutes d'inutilisation. (Aucune variation de lecture de plus de 5 livres [2 kg]). Vous NE pouvez PAS régler le délai de fermeture automatique.

Une fois l'écran éteint, le poids peut être ramené à l'écran en appuyant sur la touche ON/OFF. L'unité peut être éteinte en appuyant sur la touche ON/OFF à nouveau.

## 11.4 Remplacer la batterie

 Le pèse-personne fonctionne avec une pile 9 volts alcaline qui devra être remplacée approximativement à toutes les 1500 lectures.

Lorsque la pile doit être changée, LO BAT apparaîtra à l'écran. Exécuter les étapes suivantes:

1. Glisser la porte dans le sens de la flèche pour l'ouvrir.
2. Enlever la batterie existante.
3. Installer la NOUVELLE batterie.
4. Réinstaller la porte.

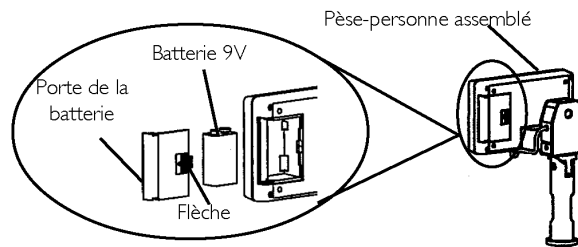



Fig. 11-3

## 11.5 Calibrer le pèse-personne

 Le pèse-personne Reliant est précalibré en usine avec la cellule. Si vous devez calibrer à nouveau le pèse-personne, suivre les instructions suivantes.

1. Le patient et la toile doivent être enlevés du pèse-personne afin de pouvoir le calibrer adéquatement. Pour enlever le patient, se référer à 7.1.2 *Fixer la toile au lève-patient, page 103*. Pour enlever la toile, se référer à 6 *Fonctionnement, page 95*.
2. Avec le pèse-personne allumé, enlever les quatre vis à l'arrière du boîtier et enlever le couvercle avant pour dégager la plaque électronique.
3. Appuyer sur la touche CAL située sur la plaque électronique. La touche CAL n'est pas indentifiée, mais est simplement une touche sur la plaque, située dans le coin inférieur droit. Une fois la touche CAL enfoncée, le mot CAL1 apparaîtra à l'écran.



CAL1 permet de sélectionner le mode de calibrage avec un poids 50 livres de poids.

CAL2 permet de sélectionner le mode de calibrage avec un poids de 200 livres.

Appuyer sur la touche UNITS permet de passer de CAL1 à CAL 2.

4. Lorsque le mode de calibrage choisi est affiché, appuyer sur la touche LOCK\UNLOCK.




L'écran affichera UnLd.

5. S'assurer qu'il n'y a aucun poids sur le pèse-personne et appuyer sur la touche ZERO.
6. L'écran affichera une ligne pointillée (-----) et le mot LOAD (charge) apparaîtra à l'écran.
7. Exécuter une des étapes suivantes:
  - POUR L'OPTION CAL1—accrocher un poids de 50 livres au pèse-personne et appuyer sur la touche ZERO.
  - POUR L'OPTION CAL2—accrocher un poids de 200 livres au pèse-personne et appuyer sur la touche ZERO.
8. L'écran affichera une ligne pointillée (-----) et le mot DONE (fait) apparaîtra à l'écran.
9. Enlever le poids du pèse-personne et appuyer sur la touche LOCK\UNLOCK.



L'unité sera en mode temporaire de test et ne verrouillera pas le poids affiché. Ceci permet de mettre et d'enlever le poids pour vérifier le calibrage.





10. Éteindre l'unité en appuyant sur la touche ON\OFF.
11. Allumer l'unité en appuyant sur la touche ON\OFF.  
 Le pèse-personne est maintenant en mode normal de fonctionnement.

## 11.6 Dépannage

SYMPTOME	CAUSE PROBABLE	SOLUTION
L'unité NE fonctionne PAS correctement.	Défaillance de la batterie	Vérifier la batterie. La remplacer si nécessaire.
La batterie a été remplacée et l'unité NE fonctionne PAS encore correctement.		Contactez Invacare pour l'entretien au 1-800-333-6900.

### 11.6.1 Codes

CODE	DESCRIPTION
	Calibration Required (Calibrage Requis)—indique une mauvaise sauvegarde de la donnée de calibrage; le calibrage est nécessaire.
	Over Capacity (Surcharge)—indique que le poids dépasse la capacité du pèse-personne.

---

## Remarques

---

## Remarques

---

---

## Remarques

---

# Manual de Usuario

DISTRIBUIDOR: Este manual SE DEBE entregar al usuario del producto.

USUARIO: ANTES de utilizar este producto, se DEBE leer este manual y conservarse para referencia futura.

## Tabla de contenido

<b>1 Información General</b>	<b>143</b>
1.1 Símbolos	143
1.1.1 Advertencias	143
1.1.2 Otros Símbolos	143
1.2 Vida Útil	144
1.3 Garantía	144
<b>2 Seguridad</b>	<b>146</b>
2.1 Advertencias Generales	146
2.2 Información de Funcionamiento	147
2.2.1 Información General	147
2.2.2 Puntos que Prensan y Posicionamiento	148
2.2.3 Armado del Elevador	148
2.2.4 Operación del Elevador	148
2.2.5 Uso de la Eslinga	149
2.2.6 Cómo Levantar al Paciente	150
2.2.7 Cómo Transferir al Paciente	151
2.2.8 Mantenimiento	151
2.2.9 Eléctrica y Conexión a Tierra	152
2.2.10 Eliminación de Desechos	153
2.3 Interferencia de Radio Frecuencia	153
<b>3 Etiquetado de Producto</b>	<b>154</b>
<b>4 Información Técnica</b>	<b>155</b>
4.1 Elevador de Pacientes	155
4.2 Eslingas para Excusados, Piernas Separadas y Cuerpo Completo	156
4.3 Balanza Reliant RLS6	157
<b>5 Ensamblado</b>	<b>158</b>
5.1 Ensamblado del Levantador de Pacientes	158
5.1.1 Desempacando el Levantador de Pacientes	158
5.1.2 Ensamblando el Mástil a la Base	159
5.1.3 Ensamblaje del Actuador con la Pluma	160
5.2 Cómo Instalar el Mango Transportador	161
<b>6 Operación</b>	<b>162</b>
6.1 Operando el Levantador de Pacientes	162
6.1.1 Para Cerrar/Abrir las Patas De la Base	162
6.1.2 Subiendo/Bajando el Levantador Eléctrico	164
6.1.3 Cómo Activar un Relevo Mecánico de Emergencia	165
6.1.4 Cómo Posicionar el Elevador para ser Usado	166
6.2 Montando el Cargador de la Batería	166
6.2.1 Cargando la Batería	167
<b>7 Levantando al Paciente</b>	<b>170</b>
7.1 Preparación Antes de Levantar	170
7.1.1 Cómo Posicionar el Elevador para ser Usado	170
7.1.2 Cómo Ajustar las Eslingas al Elevador	171
7.2 Levantando/Moviendo al Paciente	172
<b>8 Transfiriendo al Paciente</b>	<b>175</b>

8.1 Transfiriendo al Paciente para que Use la Silla Comoda o la Comoda Estandar .....	175
8.1.1 Transfiriendolo a una Silla en Forma de Comoda .....	177
8.1.2 Transfiriendolo a una Comoda Estandar .....	178
8.2 Transfiriendolo a una Unidad de Banarse .....	179
8.3 Transfiriendolo a una Silla de Ruedas .....	181
<b>9 Guia de Reparaciones .....</b>	<b>184</b>
9.1 Guia de Reparaciones .....	184
<b>10 Mantenimiento .....</b>	<b>187</b>
10.1 Lista de Mantenimiento de Inspección de Seguridad .....	187
10.2 Lubricación .....	190
10.3 Desgaste y Daño .....	190
10.4 Limpieza de la Eslinga y la Grúa .....	190
10.5 Reemplazo el Actuador Eléctrico .....	191
10.5.1 Cómo Verificar y Ajustar el Perno Pivote del Mástil ...	192
10.6 Reemplazando la Barra Giratoria .....	193
10.7 Mantenimiento del Montaje de la Base .....	195
10.8 Reemplazando las Ruedas y/o las Horquillas .....	196
10.8.1 Ruedas Traseras .....	196
10.8.2 Ruedas de Enfrente .....	197
10.8.3 Horquillas .....	198
<b>11 Accesorios .....</b>	<b>199</b>
11.1 Balanza Reliant RLS6 .....	199
11.1.1 Cómo Quitar la Barra Giratoria .....	199
11.1.2 Instalación de la Balanza Reliant .....	201
11.2 Operación de la Balanza .....	204
11.2.1 Funciones del Teclado .....	204
11.3 Cómo Pesar al Paciente .....	205
11.4 Cambio de la Batería .....	208
11.5 Calibración de la Balanza Reliant .....	208
11.6 Solución de Problemas .....	210

11.6.1 Códigos del Visor .....	210
--------------------------------	-----

# 1 Información General

## 1.1 Símbolos

### 1.1.1 Advertencias

En este manual, se usan palabras clave, y se aplican a peligros o prácticas no seguras que podrían tener como consecuencia alguna lesión personal o daño a la propiedad. Consulte la siguiente información para conocer las definiciones de las palabras clave.

**PELIGRO**

-Peligro que indica una inminente situación peligrosa que, si no se evita, tendrá como consecuencia la muerte o una lesión grave.

**ADVERTENCIA**

-Advertencia que indica una posible situación peligrosa que, si no se evita, podría tener como consecuencia la muerte o una lesión grave.

**ADVERTENCIA**

-Advertencia que indica una posible situación peligrosa que, si no se evita, puede tener como consecuencia daños materiales o lesiones leves, o ambos.



-Indica una situación peligrosa que podría tener como consecuencia daños a la propiedad si no se evita.



Ofrece consejos útiles, recomendaciones e información para un uso eficaz y sin problemas.

### 1.1.2 Otros Símbolos



Fecha de fabricación

## 1.2 Vida Útil

Grúa—la vida útil esperada es de ocho años, bajo la presunción de que el producto se utilice diariamente y en conformidad con las instrucciones de seguridad y de mantenimiento que se detallan en este manual.

Eslinga—consulte el manual del usuario de la eslinga para conocer la información sobre la vida útil esperada.

## 1.3 Garantía



Esta garantía ha sido escrita para cumplir con la ley federal de los Estados Unidos aplicable a productos después del 4 de Julio de 1975.

Esta garantía se extiende únicamente al comprador/usuario original de nuestros productos.

Esta garantía le da derechos legales específicos y usted pudiera tener otros derechos legales los cuales varían de estado a estado.

Invacare garantiza por un periodo de tres años, para el levantador y un año para la eslinga, bomba hidráulica / componentes eléctricos, que sus materiales y mano de obra están libres de defectos, desde la fecha de compra. Si dentro del periodo de la garantía se comprueba que el producto cubierto por la misma ha sido encontrado defectuoso, tal producto debe ser reparado o reemplazado a opción de Invacare. Esta garantía no incluye ninguna labor o cargos por envío incurridos por el reemplazo, instalación o reparaciones a tal producto, efectuados por el comprador o usuario. La única obligación de Invacare y el remedio exclusivo bajo esta garantía queda limitado a reparación y/o reemplazo.

Cuando necesite un servicio cubierto por la garantía, por favor pongase en contacto con el proveedor de su producto Invacare. En caso de no recibir un servicio de garantía satisfactorio, por favor escriba directamente a Invacare, a la dirección que se encuentra en la contraportada, suministrando el nombre del proveedor, dirección y la fecha de compra, e indicando la naturaleza del defecto. Invacare le proveerá un número de registro. La unidad o piezas defectuosas DEBEN de ser retornadas para inspección bajo garantía, usando el número de serie que identifica el producto, cuando esto aplica, dentro de treinta días después de la fecha en que se expidió el número de registro. No envíe a la fábrica productos sin previo consentimiento. Entregas C.O.D. serán rehusadas. Sirvase pagar los cargos de envío.



LIMITACIONES Y EXCLUSIONES: LA GARANTÍA QUE PRECEDE NO APLICA A PRODUCTOS CON NUMEROS DE SERIE QUE HAN SIDO REMOVIDOS O MUTILADOS, QUE HAN SIDO SUJETOS A NEGLIGENCIA, ACCIDENTE, USO IMPROPIO, MANTENIMIENTO O ALMACENAMIENTO INAPROPIADO, PRODUCTOS MODIFICADOS SIN EL CONSENTIMIENTO EXPRESO DE INVACARE POR ESCRITO (INCLUYENDO, PERO NO LIMITADO A) MODIFICACION POR MEDIO DEL USO NO AUTORIZADO DE PARTES O ACCESORIOS; PRODUCTOS DANADOS DEBIDO A REPARACIONES HECHAS CON PIEZAS NO AUTORIZADAS NI ESPECIFICADAS POR INVACARE, O PRODUCTOS DANADOS POR CIRCUNSTANCIAS TOTALMENTE FUERA DEL CONTROL DE INVACARE, Y TAL EVALUACION SERA DETERMINADA POR INVACARE SOLAMENTE. LA GARANTÍA NO DEBE APLICAR A PROBLEMAS COMO RESULTADO DE DESGASTE NORMAL O DEBIDO A NO ADHERIRSE A LAS INSTRUCCIONES DE ESTE MANUAL.

LA GARANTÍA QUE PRECEDE ES EXCLUSIVA Y TOMA EL LUGAR DE CUALQUIER OTRA GARANTÍA EXPRESA. GARANTIAS IMPLICITAS MERCANTILES O ADAPTADAS PARA UN PROPOSITO EN PARTICULAR, NO DEBEN EXTENDER LA DURACION DE LA GARANTÍA EXPRESADA AQUI, Y EL REMEDIO POR VIOLACIONES A CUALQUIER GARANTÍA IMPLICITA DEBE DE SER LIMITADO A LA REPARACION O REEMPLAZO DEL PRODUCTO DEFECTUOSO CONFORME A LOS TERMINOS AQUI ESTABLECIDOS. INVACARE NO ES RESPONSABLE POR CUALQUIER DAÑO CONSECUENTE O INCIDENTAL EN ABSOLUTO EN ALGUNOS ESTADOS NO SE PERMITE LA EXCLUSION O LIMITACION A DAÑO CONSECUENTE O INCIDENTAL EN.

CUANTO A QUE TIEMPO LA GARANTÍA IMPLICITA DURA. POR CONSIGUIENTE, DICHA EXCLUSION Y LIMITACION PODRIA NO APLICARLE A USTED.

ESTA GARANTÍA SE EXTENDERÁ PARA CUMPLIR LAS LEYES Y LOS REQUISITOS ESTATALES O PROVINCIALES.

## 2 Seguridad

La sección de seguridad contiene información importante para el funcionamiento y uso seguro de este producto.

### 2.1 Advertencias Generales

**ADVERTENCIA**

NO USE ESTE PRODUCTO NI NINGÚN EQUIPO OPCIONAL DISPONIBLE SIN ANTES LEER Y COMPRENDER A CABALIDAD ESTAS INSTRUCCIONES Y CUALQUIER MATERIAL ADICIONAL, COMO MANUALES DEL PROPIETARIO, MANUAL DE MANTENIMIENTO U HOJAS DE INSTRUCCIÓN QUE SE PROPORCIONEN CON ESTE PRODUCTO O EQUIPO OPCIONAL. SI NO COMPRENDE LAS ADVERTENCIAS, PRECAUCIONES O INSTRUCCIONES, COMUNÍQUESE CON UN PROFESIONAL DE LA SALUD, DISTRIBUIDOR O PERSONAL TÉCNICO ANTES DE INTENTAR USAR ESTE EQUIPO. DE LO CONTRARIO, PUEDE SUFRIR LESIONES O PROVOCAR DAÑOS.

**ADVERTENCIAS PARA ACCESORIOS**

Los productos Invacare están específicamente diseñados y fabricados para su uso con accesorios Invacare. Los accesorios diseñados por otras empresas no los ha probado Invacare y no se recomiendan para su uso con productos Invacare.



La información contenida en este documento esta sujeta a cambio sin previo aviso.

Inspeccione todas las piezas por cualquier daño durante el envío antes de usarlo. En caso de daño, NO use este equipo. Pongase en contacto con el proveedor para futuras instrucciones.

## 2.2 Información de Funcionamiento

### 2.2.1 Información General



#### **ADVERTENCIA**

- El levantador Invacare para pacientes NO es un aparato para transportacion. Su proposito es el de transferir a un individuo de una superficie de descanso a otra (tales como de una cama a una silla de ruedas).
- NO intente hacer ninguna transferencia sin la aprobacion del medico del paciente, del asistente del medico o la enfermera. Lea completamente las instrucciones en este Manual, observe a un equipo de expertos realizar los procedimientos de levantado, y entonces practique varias veces el procedimiento, bajo la supervision apropiada y con una persona que este en buenas condiciones actuando como paciente.
- Use sentido comun cada vez que vaya a levantar a un paciente. Especial cuidado DEBE de tomarse con personas invalidas que no pueden cooperar mientras se les levanta. Use cinturones de seguridad o agarraderas para sostener, si es necesario.
- Las eslingas y los accesorios Invacare han sido especialmente disenados para ser usados en combinacion con los levantadores para pacientes Invacare. Las eslingas y accesorios disenados por otros fabricantes no son para ser utilizados como componentes de los sistemás de levantar hechos por Invacare. El uso de otros productos es prohibido y anulan la garantia de los levantadores para pacientes Invacare. Use solamente las eslingas y accesorios para levantadores de pacientes Invacare genuinos, para mantener la seguridad del paciente y la funcionalidad del producto.

### 2.2.2 Puntos que Prensan y Posicionamiento



#### ADVERTENCIA

-Puntos que prensan, los dedos pueden ser prensados. Cuando posicione el Levantador, asegúrese de la posición de la Barra Giratoria y el paciente. Daño físico puede ocurrir.

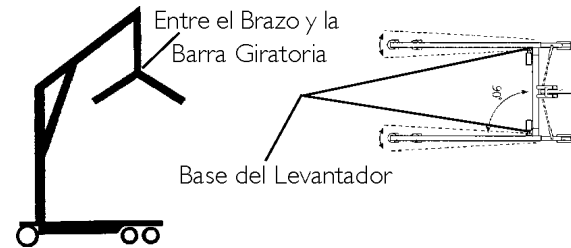


Fig. 2-1

### 2.2.3 Armado del Elevador



#### ADVERTENCIA

-No ajuste el material duro de montaje en demasía, ya que se dañarán los soportes de montaje.

### 2.2.4 Operación del Elevador



#### ADVERTENCIA

-Si bien Invacare recomienda que dos asistentes realicen las maniobras de preparación del levantamiento, y los procedimientos de traslado desde y hacia un lugar, nuestro equipo puede ser utilizado por un solo asistente. El uso de un solo asistente se basa en la evaluación que realice el facultativo de cada caso en particular.

-Asegúrese de escuchar un “clic” al colocar la batería en su cargador para verificar que el montaje se ha realizado de la manera correcta. De otro modo, pueden ocurrir daños.

-NO exceder el límite de peso máximo para levantado del paciente. El límite de peso para los RHL450-1 y RPL450-1 es de 204 kilos. El límite de peso para los RPL600-1 es de 272 kilos.

## 2.2.5 Uso de la Eslinga



### ADVERTENCIA

- Utilice una eslinga Invacare aprobada, recomendada por el médico, enfermera o asistente médico para comodidad y seguridad del individuo a ser elevado.
- NO use ningún tipo de almohadilla de plástico para la incontinencia o cojín de asiento entre el paciente y el material de la eslinga que pudiera causar que el paciente se deslice fuera de la eslinga durante la transferencia.
- Luego de cada lavado (de acuerdo con las instrucciones que aparecen en la eslinga), inspeccione el/los eslinga/s para detectar deterioro, rasgaduras y puntadas sueltas.
- Las eslingas descoloridas, rasgadas, cortadas, deshilachadas o rotas son inseguras y pueden causar daños. Si este fuera el caso, tire la eslinga de inmediato.
- NO modifique las eslingas.
- Asegúrese de verificar los accesorios de la eslinga cada vez que la retire y la reemplace, a fin de verificar que esté correctamente asegurada antes de que el paciente sea movido del objeto estacionario (cama, silla o excusado).
- Si el paciente se encuentra en una silla de ruedas, asegure las trabas de las ruedas para impedir que la silla se mueva hacia delante o hacia atrás.
- Al conectar las eslingas equipadas con correas de colores codificados al elevador de pacientes, la correa más corta DEBE estar en la espalda del paciente para lograr su apoyo. La utilización de una sección larga dejará poco o nada de apoyo a la espalda del paciente. Las presillas de la eslinga están codificadas por color y pueden ser utilizadas para poner al paciente en varias posiciones. Los colores facilitan la conexión de ambos lados de la eslinga equitativamente. Asegúrese de que haya suficiente apoyo en la cabeza del paciente al levantarlo.

### 2.2.6 Cómo Levantar al Paciente



#### ADVERTENCIA

- Cuando utilice un levantador base ajustable, las piernas DEBEN estar en la posición de máximo Abierto/Cerrado antes de levantar al paciente.
- Al levantar al paciente unas pocas pulgadas del objeto estacionario (silla de ruedas, cómoda o cama) y antes de moverlo, verifique nuevamente que la eslinga esté correctamente conectada a los ganchos de la barra giratoria. Si cualquiera de los accesorios no se encuentra en el lugar correcto, baje al paciente hasta el objeto estacionario (silla de ruedas, cómoda o cama) y corrija este problema.
- Ajustes para seguridad y confort del paciente deben hacerse antes de moverlo. Los brazos del paciente deben estar dentro de las correas.
- Les toiles Invacare sont conçues spécialement pour être utilisées avec les lève-personnes Invacare. Pour des raisons de sécurité, N'utilisez JAMAIS les toiles et les lève-personnes de fabricants différents ensemble. Cela annulerait la garantie.
- Las eslingas de Invacare han sido hechas especialmente para uso con los Levantadores de pacientes Invacare. Para la seguridad del paciente, NO intercambie eslingas y levantadores de diferentes fabricantes. La garantía será anulada.
- Durante la transferencia, con el paciente suspendido en la eslinga acoplada al levantador, NO rueda la base sobre superficies desniveladas que podrían causar que el levantador de paciente pierda el equilibrio. Use la palanca de dirección que se encuentra en el mástil todo el tiempo para empujar o jalar el levantador.
- Invacare no recomienda frenar las ruedas traseras del levantador de pacientes cuando levante a un individuo. Si lo hace, podría causar que el levantador pierda el equilibrio y pondría en peligro al paciente y a los asistentes. Invacare recomienda que las ruedas traseras se dejen sin el freno puesto durante los procedimientos de levantado para permitir que el levantador de paciente se estabilice por sí mismo cuando el paciente sea inicialmente levantado de una silla, cama o cualquier objeto estacionario.

## 2.2.7 Cómo Transferir al Paciente



### ADVERTENCIA

- Al levantar al paciente unas pocas pulgadas del objeto estacionario (silla de ruedas, cómoda o cama) y antes de moverlo, verifique nuevamente que la eslinga esté correctamente conectada a los ganchos de la barra giratoria. Si cualquiera de los accesorios no se encuentra en el lugar correcto, baje al paciente hasta el objeto estacionario (silla de ruedas, cómoda o cama) y corrija este problema.
- Las trabas de las ruedecillas de las sillas de ruedas DEBEN estar trabadas antes de bajar al paciente a la silla de ruedas para transportarlo.
- Antes de moverlo, verifique que la capacidad de peso de la silla de ruedas pueda contener el peso del paciente.
- Asegúrese de verificar los accesorios de las eslingas cada vez que retire y reemplace una, a fin de garantizar que ésta esté correctamente asegurada antes de que el paciente sea retirado de la cama o silla.
- El pivote del mástil que se encuentra debajo de la cubierta debe estar bien ajustado para obtener un uso seguro del elevador de pacientes. El perno debe ser inspeccionado al menos cada seis meses a la vez que se le realiza un mantenimiento periódico.

## 2.2.8 Mantenimiento



### ADVERTENCIA

- El mantenimiento DEBE de ser llevado a cabo por personal calificado SOLAMENTE.
- La bomba es sellada en fábrica. No intente ABRIR la bomba u obtener una reparación local dado que esto ANULARÁ la garantía y puede arrojar daños como resultado. Consulte a su distribuidor o escriba a Invacare para mayor información.
- Luego del primer año de uso, los ganchos de la barra giratoria y los soportes de montaje del pescante deben ser inspeccionados cada tres meses a fin de determinar el alcance del desgaste. Si dichas partes se desgastan, reemplácelas.
- Mantenimiento regular de los levantadores para pacientes y sus accesorios es necesario para asegurar su operación apropiada.
- Luego de 12 meses de operación, inspeccione la barra giratoria y el ojo del pescante (al que se ajusta) para determinar el desgaste. Si el metal se encuentra gastado, se DEBEN reemplazar las partes. Haga esta inspección cada seis meses de aquí en adelante.
- No ajuste el material duro de montaje en demasía, ya que se dañarán los soportes de montaje.

### 2.2.9 Eléctrica y Conexión a Tierra



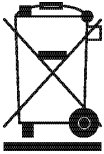
#### **ADVERTENCIA**

##### **INSTRUCCIONES DE CONEXIÓN A TIERRA**

- NO corte o remueva, bajo ninguna circunstancia, la terminal redonda, de cualquier enchufe con una tercera punta, la cual conecta a tierra, en los productos Invacare. Algunos aparatos están equipados con enchufes que contienen tres puntas (una para tierra), para protección contra posible choque eléctrico. En casos en que receptáculos eléctricos para enchufes de dos puntas, que no tienen la conexión a tierra sean encontrados, es responsabilidad y obligación del usuario buscar a un electricista calificado, para que instale un receptáculo eléctrico con la conexión apropiada a tierra, de acuerdo con la Codificación Eléctrica Nacional. Si usted tiene que usar una extensión eléctrica, use SOLAMENTE una de tres alambres que tenga la misma o una clasificación eléctrica más alta que la del aparato que va a conectar. Además, Invacare ha colocado etiquetas de ADVERTENCIA COLOR ROJO/ANARANJADO en algunos productos. No remueva estas etiquetas.
- Cuidadosamente lea la información concerniente a la batería/cargador de la batería, antes de cargar, operar o darle servicio a su levantador.



### 2.2.10 Eliminación de Desechos



#### ADVERTENCIA

- Este producto ha sido proporcionado por un fabricante consciente del medio ambiente que cumple con Residuos Eléctricos y Electrónicos Directiva 2002/96/CE de Equipos.
- Este aparato contiene baterías de ácido de plomo. NO disponga las baterías con los otros desechos del hogar. Ellas deben ser llevadas en un sitio apropiado para disponer de ellas sitio. Comuníquese con su empresa local de gestión de residuos para obtener información.
- Communiquez avec une entreprise de gestion de déchets de votre région pour obtenir de plus amples renseignements.
- Este producto puede contener sustancias que podrían ser perjudiciales para el medio ambiente si se dispone en lugares (vertederos) que no son apropiados de acuerdo a la legislación. Por favor, sea ambientalmente responsable y recicle este producto a través de su entidad de reciclaje al término de su vida útil.

### 2.3 Interferencia de Radio Frecuencia




#### ADVERTENCIA

- La mayor parte de equipos electrónicos son afectados por la Interferencia de Frecuencias de Radio (RFI). PRECAUCION debe de ejercerse con respecto al uso de equipo de comunicaciones portable en el area alrededor de este equipo. Si RFI causa el comportamiento errático de este equipo, OPRIMA el interruptor color rojo de emergencia para parar el equipo INMEDIATAMENTE. NO active el interruptor a la posición ON mientras una transmisión de radio frecuencia está en progreso.

### 3 Etiquetado de Producto

**ADVERTENCIA**



Antes de usar el Elevador de Pacientes, LEA y **COMPRENDA** el Manual del Usuario para un funcionamiento correcto y procedimiento de seguridad.

**ADVERTENCIA**

**PESO LÍMITE 600 libras (272,0 kg).**

El elevador de Pacientes Invasora **NO** es un elemento de transporte.

**NO** ruede la base sobre superficies desniveladas que podrían causar que el Levantador de Paciente pierda el equilibrio.

**NO** trabaje las ruedecillas del Elevador de Pacientes al levantar a un individuo. Las ruedecillas **DEBEN** estar desdobladas para permitir que el Elevador de Pacientes se estabilice durante los procedimientos de elevación.


**USE SOLAMENTE** las eslingas y accesorios para levantadores de Invasora.

Para mantenimiento y repuesto, use solamente componentes diseñados para este modelo de levantador de paciente. Vea la etiqueta del producto para información del modelo.

Atención al cliente  
1-800-333-8900

112929 Rev. C

**ADVERTENCIA**



Antes de usar el Elevador de Pacientes, LEA y **COMPRENDA** el Manual del Usuario para un funcionamiento correcto y procedimiento de seguridad.

**ADVERTENCIA**

**PESO LÍMITE 450 libras (204,0 kg).**

El elevador de Pacientes Invasora **NO** es un elemento de transporte.

**NO** ruede la base sobre superficies desniveladas que podrían causar que el Levantador de Paciente pierda el equilibrio.

**NO** trabaje las ruedecillas del Elevador de Pacientes al levantar a un individuo. Las ruedecillas **DEBEN** estar desdobladas para permitir que el Elevador de Pacientes se estabilice durante los procedimientos de elevación.

**USE SOLAMENTE** las eslingas y accesorios para levantadores de Invasora.

Para mantenimiento y repuesto, use solamente componentes diseñados para este modelo de levantador de paciente. Vea la etiqueta del producto para información del modelo.

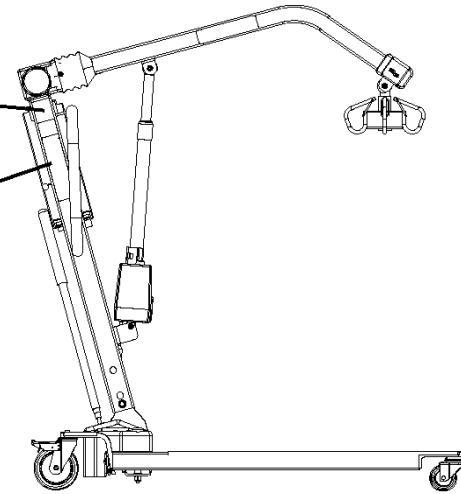
Atención al cliente  
1-800-333-8900

112929 Rev. C

**AVERTISSEMENT**


El pivote de mástil **DEBE** estar bien ajustado para obtener un uso seguro del levantador de paciente. El cerrojo debe ser verificado por lo menos cada seis (6) meses en conjunción con mantenimiento periódico. Vea Manual.

P/N 112929 Rev. C



**Etiqueta ubicada en la eslinga**

**Comfort Sling without Commode Opening**



**WARNING**

**WEIGHT LIMITATION**  
The maximum weight limitation of the sling and patient lift may differ. **DO NOT** exceed the maximum weight limitation of the sling or patient lift. **NEVER** use the sling, **READ** and **UNDERSTAND** the Owner's Manual for proper operation and safety instructions.  
Use only on Invasora Lifts. Damaged, torn, wet, frayed or broken slings are unsafe and could result in injury. **DISCARD** IMMEDIATELY. **DO NOT** alter slings.

**WARNING INSTRUCTIONS**  
Wash temperature of 120°F (50°C). **DO NOT** bleach. Air-dry or dry at low temperature. Do not iron with each use.

120°F 50°C

Consultar a: 1-800-333-8900

Yes, you can:

Size	Spacer	Part	Weight Limitation
S	2486654	2486680	600 lb (272 kg)
M	2486772	2486680	600 lb (272 kg)
L	2486778	2486670	600 lb (272 kg)
XL	2481600	2486347	550 lb (250 kg)

**Comfort Sling without Commode Opening**

112929

Fig. 3-1

## 4 Información Técnica


### 4.1 Elevador de Pacientes

	450 LB	600 LB
	Forma Sencilla	Forma Sencilla
Altura del gancho para la eslinga—MAX	188. cm	172.72 cm
Altura del gancho para la eslinga—MIN	61. cm	71.12 cm
Anchura de la base ABIERTA	104 cm	
Anchura de la base CERRADA	67.3 cm	
Altura de la base (espacio)	11.4 cm	
Largura de la base	121.9 cm	
Tamaño de las ruedas (ATRAS/ENFRENTE)	7.6/12.7 cm	
Opciones para la eslinga	3 estilos	1 estilo
Capacidad de peso	204.5 kg	272.7 kg
Peso incluyendo el carton	60.5 kg	62.7 kg
Peso sin el carton	48.2 kg	50.9 kg
Batería	24V DC (RCHBL)	
Voltage de entrada al cargador/voltage de salida del cargador	100-240 VAC/29.5 VDC	
Tiempo que toma para cargar	Maximum 6 horas	

Accesorios	Pesa digital		
Alarma que indica carga baja de la batería	Sí		
Dispositivos de seguridad del motor	Anti-trampa		
Aproximadamente levantadas por carga (varía dependiendo de la carga y de los recorridos)	100-200 veces por carga	100-299 veces por carga	
Garantía: bomba y el sistema electrónico	1 año		

## 4.2 Eslingas para Excusados, Piernas Separadas y Cuerpo Completo

Especificación	Cuerpo Entero			Cuerpo Entero Con Comoda			Pata Dividida				Sin Comoda	Extra Fuerte Con Comoda	Extra Fuerte Comoda
	R110 R112*	R111 R113*	R114	R115	R116	R117*	R100P	R100	R101	R102	R121	R140*	R141*
Tamaño	M	L	XL	M	L	XL	P	M	L	XL	L	N/A	N/A
Ancho	41.5	45.5	45.5	41.5	45.4	45.5	33	37.5	41	44.5	36	45	45
Abertura de la Comoda	N/A	N/A	N/A	8	8	9	N/A	N/A	N/A	N/A	N/A	N/A	13
Langura	54.7	60.5	65.3	54.7	60.5	65.3	59.8	62.8	67.8	72.3	37	55	55
Abertura de La Comoda	N/A	N/A	N/A	11	11	13	N/A	N/A	N/A	N/A	N/A	N/A	13
Espalda	N/A	N/A	N/A	N/A	N/A	N/A	29.2	35.7	41.7	43.2	N/A	N/A	N/A
Capacidad de peso (lb)	450	450	450	450	450	450	450	450	450	450	450	600	600

Especificación	Cuerpo Entero			Cuerpo Entero Con Comoda			Pata Dividida				Sin Comoda	Extra Fuerte Con Comoda	Extra Fuerte Comoda
	R110 R112*	R111 R113*	R114	R115	R116	R117*	R100P	R100	R101	R102	R121	R140*	R141*
 * Las eslingas están hechas de un material tramado. Todas las dimensiones están denominadas en pulgadas, salvo cuando se especifica una distinta.													

### 4.3 Balanza Reliant RLS6

Escala de peso	Hasta 600 lb (272.7 kg)
Resolución	+/- 0.2 lb (0.1 kg)
Visor	Digital de cristal líquido
Velocidad de apagado automático	Dos minutos
Tamaño	5 3/4 in L X 3 5/8 in W X 4 in H (14.6 X 9.2 X 10.2 cm)
Peso	.55 lb (.25 kg)
Energía	Batería alcalina de nuev voltios (incluida)
Vida útil de la batería	Aproximadamente 1500 lecturas
Rango de temperatura	10° to 40°C (50° to 104°F)

## 5 Ensamblado

### 5.1 Ensamblado del Levantador de Pacientes



#### ADVERTENCIA

-Use SOLAMENTE partes Invacare en el ensamblado de este lavantador de pacientes. Las patas de la base, el mástil, la pluma y la barra de suspensión se fabrican conforme a especificaciones que aseguran la alineación correcta de todas las piezas para una operación funcional segura.

#### 5.1.1 Desempacando el Levantador de Pacientes

- Desempaque las piezas sacandolas del carton.



Deje en su lugar la envoltura plastica que asegura el brazo y el mástil. La envoltura de plástico será eliminada en 5.1.3 *Ensamblaje del Actuador con la Pluma, page 160.*

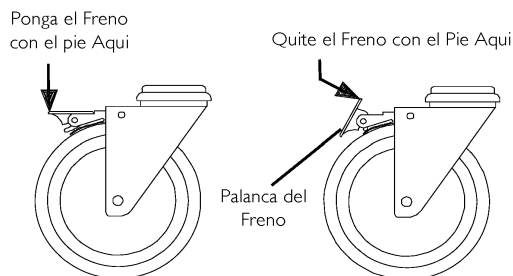


Fig. 5-1

### 5.1.2 Ensamblando el Mástil a la Base

1. Si el levantador viene con ruedas con freno, pongales el freno.
2. Remueva el tornillo de cabeza exagonal, la tuerca y la arandela, que se encuentran en el mástil, en la parte de la base con forma de "U".
3. Posicione el mástil en forma recta hacia arriba y coloquelo en la parte de la base que tiene forma de "U".
4. Inserte el tornillo con las arandelas a través de la base y el mástil.
5. Asegurelos con la tuerca.



#### ADVERTENCIA

-El mástil puede ser removido de la base para ser almacenado o transportado. Cada vez que el mástil sea removido y después retornado, este DEBE de ser propiamente asegurado a la base.

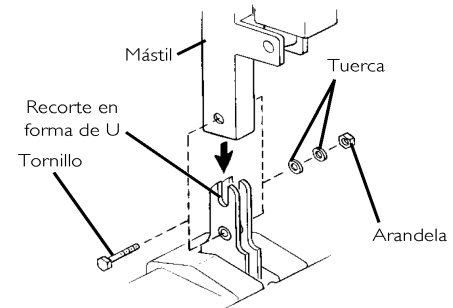
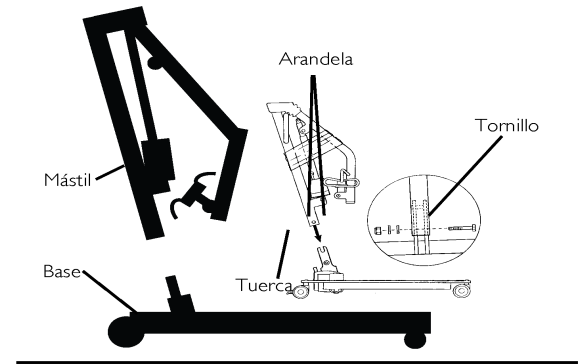


Fig. 5-2

### 5.1.3 Ensamblaje del Actuador con la Pluma



#### PRECAUCIÓN

-NE PAS trop serrer le boulon et l'écrou. Ceci endommager le support de montage.

1. Remueva el tornillo, arandela y la tuerca del soporte que esta en el brazo. Compruebe que en el ojal de fijación de la varilla se encuentren ya instalados los cojinetes.
2. Desempaque el casquillo plastico que viene dentro de la caja de empaque.



La parte de abajo del actuador electrico ya viene ensamblada al soporte del mástil.

3. Corte la envoltura que envuelve el brazo y el mástil juntos.
4. Levante el brazo y coloquelo en su hombro izquierdo.
5. Deje que el actuador de la pluma descansa sobre su hombro y gire la extensión del eje del ensamble del actuador hasta que se alinee con los orificios de montaje del ensamble de la pluma.

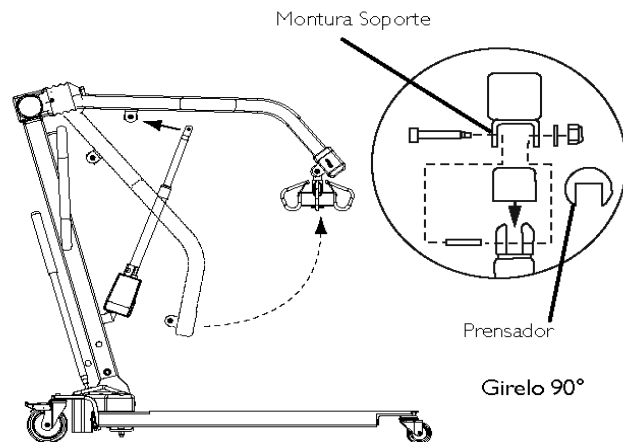




Fig. 5-3



6. Coloque un guarda prensa sobre la extension del eje del actuador.
7. Alinie los hoyos del brazo con los del actuador e inserte el tornillo. Asegurelo con la tuerca.  
 Asegúrese de que el perno esté completamente adentro de los orificios del soporte de montaje del pescante y del montaje del actuador. El montaje del pescante girará fácilmente si el material duro de montaje está correctamente alineado cuando el montaje del pescante está asegurado al mástil.
8. Enchufe los conectores eléctricos del actuador a la parte inferior del ensamblaje de la batería.
9. Enchufe el control suspendido en la base de montaje de la batería.  
 La base del montaje del actuador ya estará montada en el soporte de montaje del mástil.

## 5.2 Cómo Instalar el Mango Transportador

1. Remueva la palanca de cambios del carton de empaque.
2. Alinie la rosca de la palanca de cambios con la rosca en la abertura de la base.
3. Gire la palanca hacia la derecha para enroscar y apretela bien a la base.

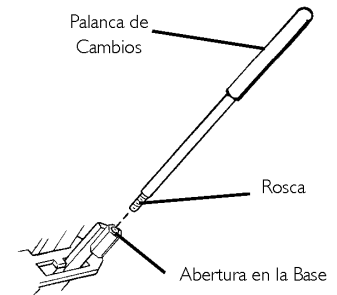


Fig. 5-4

## 6 Operación

### 6.1 Operando el Levantador de Pacientes



Si bien Invacare recomienda que dos asistentes realicen las maniobras de preparación del levantamiento, y los procedimientos de traslado desde y hacia un lugar, nuestro equipo puede ser utilizado por un solo asistente. El uso de un solo asistente se basa en la evaluación que realice el facultativo de cada caso en particular.

#### 6.1.1 Para Cerrar/Abrir las Patas De la Base

La palanca de cambios es usada para abrir o cerrar las patas de la base para estabilidad al levantar al paciente.



#### **ADVERTENCIA**

- El procedimiento para operar el levantador de pacientes es sencillo y seguro. **NO** trate de transferir a un paciente sin la aprobación de su médico, enfermera o asistentete médico. Lea todas las instrucciones en este Manual de Instrucciones para el Levantador y el Manual de Instrucciones de la Eslinga No. 1023891, observe a un equipo de expertos demostrar el procedimiento de como levantar a un paciente y practique el procedimiento completo varias veces, con la supervisión apropiada, usando a un individuo que este bien, actuando como paciente.
- Las patas del elevador deben estar en su posición de apertura máxima y la manija de cambio trabada en su lugar para brindar estabilidad y seguridad óptimas. Si es preciso cerrar las patas del elevador para maniobrarlo debajo de la cama, ciérrelas sólo lo necesario para situarlo sobre el paciente y levantar a este último de la superficie de la cama. Una vez que las patas del elevador hayan salido de debajo de la cama, regréselas a su posición de apertura máxima y trabe inmediatamente la manija de cambio.

## Cómo cerrar las piernas

1. Párese atrás del paciente y agarre la palanca de cambios con una mano y la otra mano en el mástil para mantener equilibrio.



La palanca de cambios DEBE de trabar en la abertura que la retendrá en posición para mantener las patas en posición completamente abiertas o cerradas.



### ADVERTENCIA

-Si la palanca de cambios NO está posicionada completamente en la abertura retenedora, NO use el elevador sino hasta que dicha palanca esté propiamente asentada y las patas del elevador de pacientes estén ASEGURADAS en posición, o heridas y/o daño pueden ocurrir.

2. Tire hacia fuera del mango del elevador de pacientes y luego hacia la izquierda hasta que éste se cierre en la ranura del soporte.

## Cómo abrir las piernas

1. Párese atrás del paciente y agarre la palanca de cambios con una mano y la otra mano en el mástil para mantener equilibrio.



La palanca de cambios DEBE de trabar en la abertura que la retendrá en posición para mantener las patas en posición completamente abiertas o cerradas.


### 6.1.2 Subiendo/Bajando el Levantador Eléctrico



#### ADVERTENCIA

-Invacare NO recomienda frenar las ruedas de atrás del levantador de pacientes cuando levante a un individuo. El hacer esto puede causar que el levantador pierda el equilibrio, ponga en peligro al paciente y a quienes lo asisten. Invacare RECOMIENDA que las ruedas de atrás sean dejadas SIN EL FRENO PUESTO durante el procedimiento de levantado, para permitir que el levantador se establezca por si mismo cuando el paciente es inicialmente levantado de una silla, cama o cualquier objeto estacionario.

#### Subiendo el Levantador

Presione el botón UP (  ) para subir el brazo.

#### Bajando el Levantado

Presione el botón DOWN (  ) para bajar el brazo.

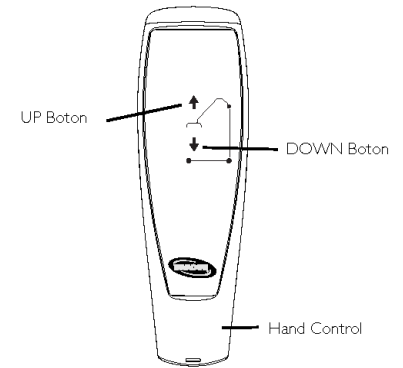


Fig. 6-2

### 6.1.3 Cómo Activar un Relevo Mecánico de Emergencia

#### Relevo Primario de Emergencia

Para activar el relevo primario de emergencia, inserte una lapicera en el orificio que dice “emergencia” en la caja de control del elevador y presione hacia abajo el brazo al mismo tiempo.

Todos los actuadores de elevadores están equipados con relevo mecánico de Emergencia. El relevo mecánico permitirá que el actuador se retraiga sin suministro eléctrico. El actuador sólo se retraerá cuando esté cargado y el relevo Mecánico de Emergencia se tire. El relevo es de color rojo anaranjado y dice “emergencia” en color blanco.

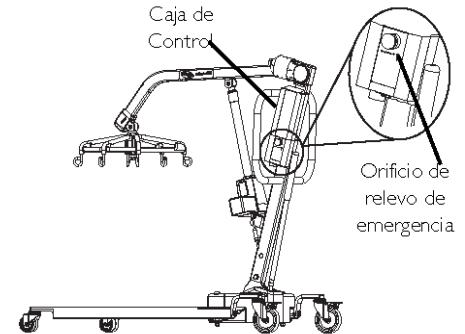


Fig. 6-3

#### Relevo Secundario de Emergencia



Se recomienda usar el relevo primario de emergencia. El relevo secundario de emergencia es sólo una segunda opción luego de utilizar el relevo primario de emergencia.

En aquellos casos en los que el relevo primario no funciona o no se puede acceder a él, se puede utilizar el relevo secundario de emergencia.

Para activar el relevo secundario, tire del anillo de EMERGENCIA y presione el brazo hacia abajo al mismo tiempo.

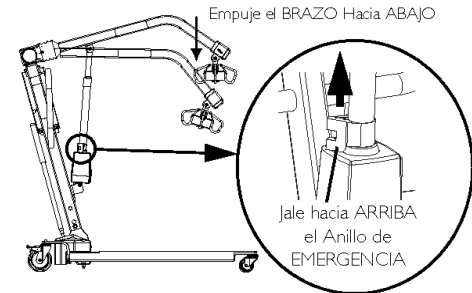


Fig. 6-4

### 6.1.4 Cómo Posicionar el Elevador para ser Usado

Presione el botón ROJO en la caja de control. Para parar el brazo del levantador y detener al paciente a fin de que ya no suba o baje, según sea el caso.

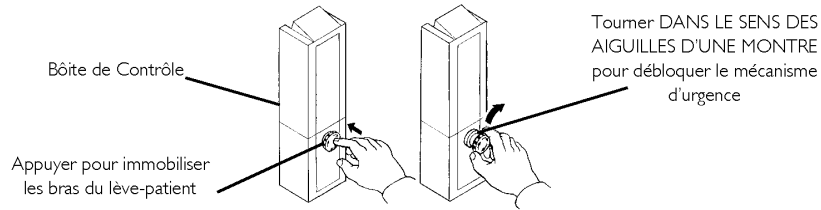



Fig. 6-5

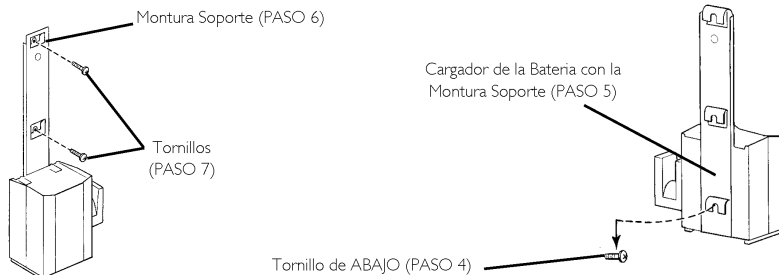
## 6.2 Montando el Cargador de la Batería

 Refierase a las regulaciones de su localidad relacionadas con el procedimiento de la instalación apropiada.

1. Coloque el cargador de la batería con el soporte en una pared, en la posición deseada.
2. Con un lápiz, marque la posición del hoyo del CENTRO.
3. Mida desde la marca del lápiz, hacia abajo, una distancia de 16.5 cm y barrene un hoyo.
4. Instale el tornillo de ABAJO hasta que haya una distancia aproximada de 3.2 mm entre la cabeza del tornillo y la pared.
5. Instale el cargador de la batería y el soporte en el tornillo de montar de abajo.
6. Barrene los dos hoyos restantes.
7. Instale en la pared los dos tornillos restantes a través del soporte. Apretelos bien.


8. Enchufe el cargador de la batería al tomacorriente.

 LA LUZ LED debe de iluminar.



*Fig. 6-6*

### 6.2.1 Cargando la Batería

 Invacare recomienda que la batería sea cargada diariamente, para prolongar la vida de la misma. Una alarma audible sonara (se oira un beep) cuando la carga de la batería este baja.

1. Levante hacia ARRIBA el agarrador que esta en la parte de atras de la batería.
2. Levante la batería hacia ARRIBA y AFUERA, retirandola dela caja de control.

**ADVERTENCIA**

-Asegurese de escuchar un “click” cuando monte el cargador de la batería para confirmar que ha quedado montado apropiamente. De otra manera, heridas o daño pueden ocurrir. Refierase a FIGURA 6 para la correcta manera de montarlo.

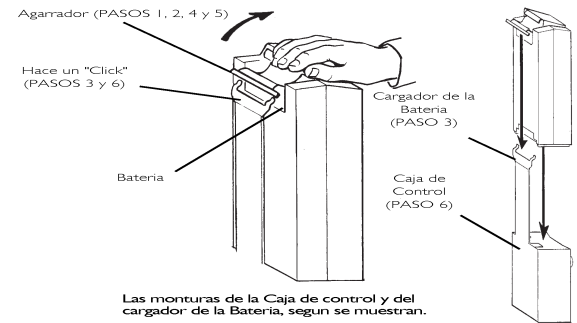
3. Coloque la batería en el cargador segun se muestra en FIGURA 6. Asegurese de escuchar un “click”.



La luz LED indicadora de carga iluminara. Cuando el proceso de carga este completo, la luz indicadora de carga se apagara.

El tiempo que se toma para cargar completamente una batería es de aproximadamente cuatro horas.

4. Levante hacia arriba el agarrador en la parte de atras de la batería.
5. Levante la batería hacia ARRIBA y hacia AFUERA alejandola del cargador.



*Fig. 6-7*





**ADVERTENCIA**

-Asegurese de escuchar un “click” cuando monte la batería en la caja de control para confirmar que ha quedado montada apropiadamente. De otra manera, heridas o daño pueden ocurrir. Refierase a FIGURA 6 para la correcta manera de montarla.


6. Reinstale la batería en la caja de control, según se muestra en la FIGURA 6. Asegurese de escuchar un “click”.




Las monturas de la caja de control y del cargador de la batería, según se muestran.

## 7 Levantando al Paciente

### 7.1 Preparación Antes de Levantar

 Si bien Invacare recomienda que dos asistentes realicen las maniobras de preparación del levantamiento, y los procedimientos de traslado desde y hacia un lugar, nuestro equipo puede ser utilizado por un solo asistente. El uso de un solo asistente se basa en la evaluación que realice el facultativo de cada caso en particular.

#### 7.1.1 Cómo Posicionar el Elevador para ser Usado

 Diríjase a *2.1 Advertencias Generales, page 146* en este manual antes de seguir y preste atención a todas las advertencias indicadas.

Antes de colocar las patas del elevador debajo de la cama, asegúrese de que el área está libre de obstrucciones.



#### **ADVERTENCIA**

-Las patas del elevador deben estar en su posición de apertura máxima y la manija de cambio trabada en su lugar para brindar estabilidad y seguridad óptimas. Si es preciso cerrar las patas del elevador para maniobrarlo debajo de la cama, ciérrelas sólo lo necesario para situarlo sobre el paciente y levantar a este último de la superficie de la cama. Una vez que las patas del elevador hayan salido de debajo de la cama, regréselas a su posición de apertura máxima y trabe inmediatamente la manija de cambio.

1. Con las patas de la base ABIERTAS y ASEGURADAS, use el agarrador de dirección para empujar el levantador y ponerlo en posición.
2. Baje el levantador para facilitar la conexión de la eslinga.

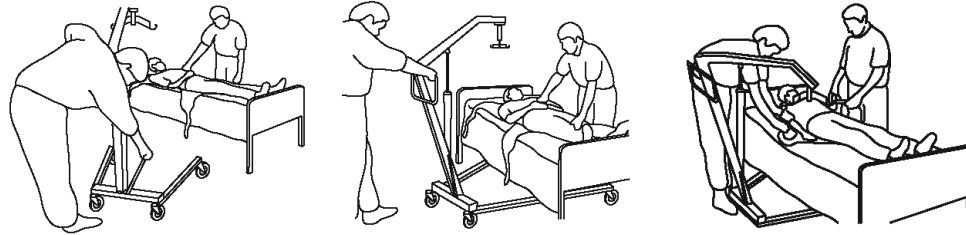


Fig. 7-1

### 7.1.2 Cómo Ajustar las Eslingas al Elevador

1. Coloque las correas de la eslinga sobre los ganchos de la barra giratoria.
2. Siga la codificación de los colores en cada lado de la eslinga, para asegurar que el paciente es levantado a nivel.

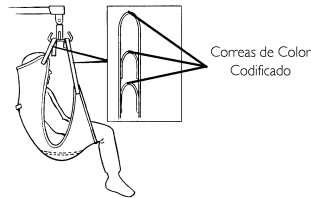


Las eslingas modelos No. R110 – R117, para cuerpo completo, y los Modelos No. 120 – 122, para usar el baño, tiene cuatro correas. Modelos No. 100 – 102 y los Modelos 1000 - 1010, con division para las piernas, tienen seis correas.

Las barras de pivote del elevador Invacare tienen tres puntos de enganche por cada lado. El enganche del medio SÓLO se usa para cabestrillos que tengan tres conjuntos de correas por lado.

3. Utilice el elevador. Consulte 7.2 Levantando/Moviendo al Paciente, page 172.

**DETALLE A - ESLINGA PARA CUERPO COMPLETO,  
EXTRA FUERTE, CON O SIN ABERTURA PARA  
COMODA (CUATRO CORREAS SOLAMENTE)**



**DETALLE B - ESLINGA CON DIVISION  
PARA LAS PIERNAS CON ABERTURA  
PARA COMODA (SEIS CORREAS)**

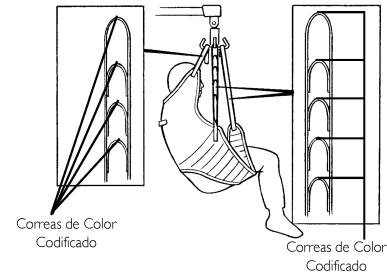




Fig. 7-2

## 7.2 Levantando/Moviendo al Paciente


 NO frene las ruedas de atrás cuando el paciente esté en el levantador.

1. Presione el botón de flecha hacia ARRIBA (  ) para elevar al paciente por encima de la cama. El paciente debe de ser elevado lo suficiente y su peso debe de ser completamente sostenido por el levantador.
2. Cuando el paciente sea levantado de la cama (con su cabeza siendo soportada por la eslinga o el asistente), el o ella será levantado(a) en posición sentada (Detalle A).



### ADVERTENCIA

- Al elevar al paciente unas pocas pulgadas de la superficie de la cama y antes de moverlo, verifique nuevamente que la eslinga esté correctamente conectada a los ganchos de la barra giratoria. Si cualquiera de los accesorio NO se encontrara en el lugar correcto, baje al paciente hasta la superficie estacionaria y corrija el problema; de otro modo, pueden ocurrir daños.
- Ajustes para el confort y seguridad del paciente deben de hacerse antes de moverlo. Los brazos deben de quedar en el lado de adentro de las correas.
- Las eslingas Invacare son hechas especialmente para ser usadas con los levantadores Invacare. Para la seguridad del paciente, NO mezcle las eslingas y los levantadores de diferentes fabricantes. La garantía será anulada.

3. Cuando el paciente haya sido levantado de la cama, mueva sus pies afuera de la misma (Detalle B).
4. Usando los agarradores de dirección, retire el levantador de la cama.
5. Cuando retire de la cama el levantador, gire al paciente de modo que quede viendo hacia el asistente que opera el levantador (Detalle C).
6. Presione el botón ABAJO (↓) bajando al paciente de tal modo que sus pies descansen en la base del levantador, a ambos lados del mástil.  
 El centro bajo de la gravedad provee estabilidad haciendo que el paciente se sienta seguro y es más fácil mover el levantador.
7. Retire de la cama el levantador y empuje por atrás, en el agarrador de empujar, con firmeza, usando las dos manos.

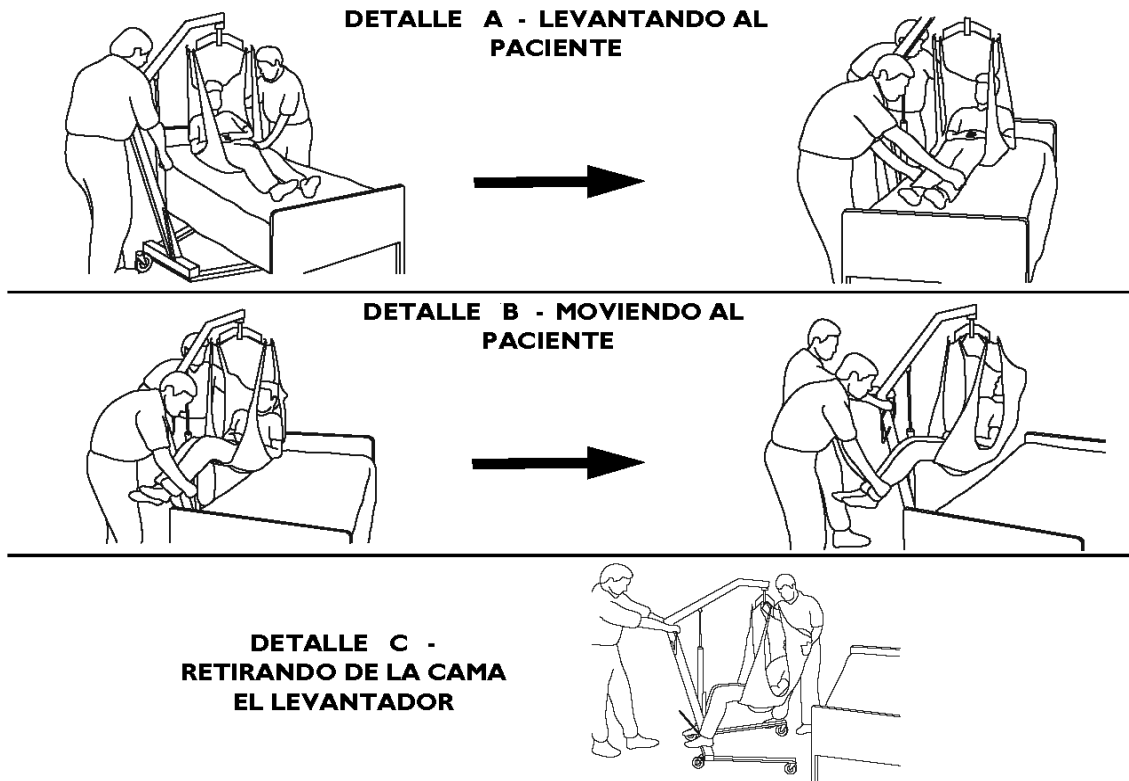



Fig. 7-3


## 8 Transfiriendo al Paciente

---

### 8.1 Transfiriendo al Paciente para que Use la Silla Comoda o la Comoda Estandar

-  Si bien Invacare recomienda que dos asistentes realicen las maniobras de preparación del levantamiento, y los procedimientos de traslado desde y hacia un lugar, nuestro equipo puede ser utilizado por un solo asistente. El uso de un solo asistente se basa en la evaluación que realice el facultativo de cada caso en particular.

Las eslingas con aberturas para comodas son diseñadas para ser usadas ya sea con una silla con forma de comoda o una comoda estandar.

-  Invacare recomienda que la eslinga permanezca conectada a los ganchos de la barra giratoria, mientras que el paciente usa la silla en forma de comoda o la comoda estandar.  
Invacare recomienda que se usen dos asistentes en TODAS las preparaciones de levantado y los procedimientos de transferencia. El uso de un asistente debe de basarse únicamente en la evaluación del profesional de cuidados de la salud, en cada caso individual.

**ADVERTENCIA**

- Al elevar al paciente unas pocas pulgadas de la superficie de la cama y antes de moverlo, verifique nuevamente que la eslinga esté correctamente conectada a los ganchos de la barra giratoria. Si cualquiera de los accesorio NO se encontrara en el lugar correcto, baje al paciente hasta la superficie estacionaria y corrija el problema; de otro modo, pueden ocurrir daños.
- Ajustes para seguridad y confort del paciente deben hacerse antes de moverlo.
- Las eslingas de Invacare han sido hechas especialmente para uso con los Levantadores de pacientes Invacare. Para la seguridad del paciente, NO intercambie eslingas y levantadores de diferentes fabricantes. La garantía sera anulada.
- Invacare NO recomienda frenar las ruedas de atras del levantador de pacientes cuando levante a un individuo. El hacer esto puede causar que el levantador pierda el equilibrio, ponga en peligro al paciente y a quienes lo asisten. Invacare RECOMIENDA que las ruedas de atras sean dejadas SIN EL FRENO PUESTO durante el procedimiento de levantado, para permitir que el levantador se estabilice por si mismo cuando el paciente sea inicialmente levantado de una silla, cama o cualquier objeto estacionario.
- Las patas del elevador deben estar en su posición de apertura máxima y la manija de cambio trabada en su lugar para brindar estabilidad y seguridad óptimas. Si es preciso cerrar las patas del elevador para maniobrarlo debajo de la cama, ciérrelas sólo lo necesario para situarlo sobre el paciente y levantar a este último de la superficie de la cama. Una vez que las patas del elevador hayan salido de debajo de la cama, regréselas a su posición de apertura máxima y trabe inmediatamente la manija de cambio.



### 8.1.1 Transfiriendolo a una Silla en Forma de Comoda

1. Antes de levantar al paciente de la cama, consulte la 7.1.2 *Cómo Ajustar las Eslingas al Elevador*, page 171. Para la operación del levantador de pacientes, consulte la 6 *Operación*, page 162.
2. El paciente debe de ser elevado lo suficientemente alto como para dejar los brazos de la silla en forma de comoda libre de peso, el cual ahora es soportado por el levantador.
3. Con la ayuda de ambos asistentes, guie al paciente a la silla en forma de comoda.
4. Baje al paciente a la silla en forma de comoda, dejando la eslinga conectada a los ganchos de la barra giratoria.
5. Cuando termine, inspeccione de nuevo para ver que las conexiones esten correctas y levante al paciente fuera de la silla en forma de comoda.
6. Cuando el paciente este fuera de la superficie de la comoda (usando los agarradores para girar), retire el levantador lejos de la silla en forma de comoda.
7. Para retornar al paciente a la cama, siga el procedimiento concerniente a levantar al paciente, operación y conectar la eslinga, a la inversa.
8. Para retornar o colocar al paciente en la silla de ruedas, refierase a 8.3 *Transfiriendolo a una Silla de Ruedas*, page 181.

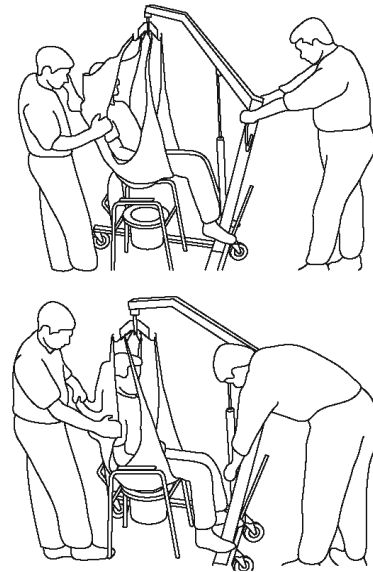


Fig. 8-1

### 8.1.2 Transfiriendolo a una Comoda Estándar



Si bien Invacare recomienda que dos asistentes realicen las maniobras de preparación del levantamiento, y los procedimientos de traslado desde y hacia un lugar, nuestro equipo puede ser utilizado por un solo asistente. El uso de un solo asistente se basa en la evaluación que realice el facultativo de cada caso en particular.

El elevador de pacientes Invacare NO ha sido diseñado como elemento de transporte. Si el baño NO se encuentra cerca de la cama o si el elevador de pacientes no se puede maniobrar hacia el excusado con facilidad, el paciente DEBE ser transportado en una silla de ruedas hacia el baño antes de usar el elevador de pacientes nuevamente a fin de posicionar al paciente en el retrete estándar.

Previo a transferir al paciente, el elevador de pacientes debe ser guiado al baño a fin de verificar que éste puede ser fácilmente maniobrado hacia el retrete.

1. Antes de levantar al paciente de la cama, consulte la *7.1.2 Cómo Ajustar las Eslingas al Elevador, page 171*. Para la operación del levantador de pacientes, consulte la *6 Operación, page 162*.
2. Transporte al paciente al baño.
3. El paciente debe de ser elevado lo suficientemente alto para dejar la cómoda estándar libre de peso, el cual ahora es soportado por el levantador.
4. Con la ayuda de ambos asistentes, guíe el paciente a la cómoda estándar.
5. Baje el paciente a la cómoda estándar, dejando la eslinga conectada a los ganchos de labarra giratoria.
6. Cuando termine, inspeccione de nuevo para ver que las conexiones estén correctas y entonces levante al paciente de la cómoda estándar.
7. Cuando el paciente este fuera de la superficie de la cómoda estándar (usando los agarradores para girar), retire el levantador lejos de la cómoda.
8. Para retornar el paciente o colocarlo en una silla de ruedas, refierase a *8.3 Transfiriendolo a una Silla de Ruedas, page 181*.

9. Para retornar el paciente a la cama, siga el procedimiento concerniente a levantar al paciente, operación y conectar la eslinga, a la inversa.

## 8.2 Transfiriendolo a una Unidad de Banarse



Si bien Invacare recomienda que dos asistentes realicen las maniobras de preparación del levantamiento, y los procedimientos de traslado desde y hacia un lugar, nuestro equipo puede ser utilizado por un solo asistente. El uso de un solo asistente se basa en la evaluación que realice el facultativo de cada caso en particular.



### ADVERTENCIA

- Al elevar al paciente unas pocas pulgadas de la superficie de la cama y antes de moverlo, verifique nuevamente que la eslinga esté correctamente conectada a los ganchos de la barra giratoria. Si cualquiera de los accesorio NO se encontrara en el lugar correcto, baje al paciente hasta la superficie estacionaria y corrija el problema; de otro modo, pueden ocurrir daños.
- Ajustes para seguridad y confort del paciente deben hacerse antes de moverlos.
- Las eslingas de Invacare han sido hechas especialmente para uso con los Levantadores de pacientes Invacare. Para la seguridad del paciente, NO intercambie eslingas y levantadores de diferentes fabricantes. La garantía sera anulada.
- Invacare NO recomienda frenar las ruedas de atras del levantador de pacientes cuando levante a un individuo. El hacer esto puede causar que el levantador pierda el equilibrio, ponga en peligro al paciente y a quienes lo asisten. Invacare RECOMIENDA que las ruedas de atras sean dejadas SIN EL FRENO PUESTO durante el procedimiento de levantado, para permitir que el levantador se estabilice por si mismo cuando el paciente sea inicialmente levantado de una silla, cama o cualquier objeto estacionario.
- Las patas del elevador deben estar en su posición de apertura máxima y la manija de cambio trabada en su lugar para brindar estabilidad y seguridad óptimas. Si es preciso cerrar las patas del elevador para maniobrarlo debajo de la cama, ciérrelas sólo lo necesario para situarlo sobre el paciente y levantar a este último de la superficie de la cama. Una vez que las patas del elevador hayan salido de debajo de la cama, regréselas a su posición de apertura máxima y trabe inmediatamente la manija de cambio.



Hay muchos aparatos portables para banarse; este es un ejemplo. Refierase a las instrucciones particulares del suyo y uselas en armonia con este Manual de Instrucciones.

1. Antes de levantar al paciente de la cama, consulte la 7.1.2 *Cómo Ajustar las Eslingas al Elevador, page 171*. Para la operación del levantador de pacientes, consulte la 6 *Operación, page 162*.
2. El paciente debe de ser elevado lo suficientemente alto a fin de dejar libre la cama y poder Colocarle la banera portable debajo.
3. Baje el paciente a la banera portable.
4. Desconecte la eslinga de los ganchos de la barra giratoria y conecte los sostenedores de la banera portable al paciente.
5. Usando el levantador, suba los lados de la banera portable.
6. Bane al paciente.
7. Siga el procedimiento a la inversa, para retornar el paciente a la cama.

### 8.3 Transfiriendolo a una Silla de Ruedas



#### ADVERTENCIA

- Al elevar al paciente unas pocas pulgadas de la superficie de la cama y antes de moverlo, verifique nuevamente que la eslinga esté correctamente conectada a los ganchos de la barra giratoria. Si cualquiera de los accesorio NO se encontrara en el lugar correcto, baje al paciente hasta la superficie estacionaria y corrija el problema; de otro modo, pueden ocurrir daños.
- Ajustes para seguridad y confort del paciente deben hacerse antes de moverlo.
- Las eslingas de Invacare han sido hechas especialmente para uso con los Levantadores de pacientes Invacare. Para la seguridad del paciente, NO intercambie eslingas y levantadores de diferentes fabricantes. La garantía sera anulada.
- Invacare NO recomienda frenar las ruedas de atras del levantador de pacientes cuando levante a un individuo. El hacer esto puede causar que el levantador pierda el equilibrio, ponga en peligro al paciente y a quienes lo asisten. Invacare RECOMIENDA que las ruedas de atras sean dejadas SIN EL FRENO PUESTO durante el procedimiento de levantado, para permitir que el levantador se estabilice por si mismo cuando el paciente sea inicialmente levantado de una silla, cama o cualquier objeto estacionario.
- Antes de transferir al paciente, informese de que la capacidad de peso de la silla de ruedas es suficiente para soportar el peso del paciente.
- Las patas del elevador deben estar en su posición de apertura máxima y la manija de cambio trabada en su lugar para brindar estabilidad y seguridad óptimas. Si es preciso cerrar las patas del elevador para maniobrarlo debajo de la cama, ciérrelas sólo lo necesario para situarlo sobre el paciente y levantar a este último de la superficie de la cama. Una vez que las patas del elevador hayan salido de debajo de la cama, regréselas a su posición de apertura máxima y trabe inmediatamente la manija de cambio.



Antes de levantar al paciente de la cama, consulte a *7.1.2 Cómo Ajustar las Eslingas al Elevador, page 171*. Para la operación del levantador de pacientes, consulte a *6 Operación, page 162*.

Invacare recomienda que se usen dos asistentes en TODAS las preparaciones de levantado y los procedimientos de transferencia. El uso de un asistente debe de basarse únicamente en la evaluación del profesional de cuidados de la salud, en cada caso individual.

1. Asegúrese de que las piernas del elevador (con el paciente) estén en posición abierta.
2. Ponga la silla de ruedas en posición.
3. Trabe las ruedas traseras de la silla de ruedas para evitar que ésta se mueva.

**ADVERTENCIA**

-Las ruedas de la silla de ruedas DEBEN de estar con freno, antes de bajar al paciente a la misma para ser transportado.



Use sostenedores o agarradores en los lados y atrás de la eslinga para guiar las caderas del paciente, lo más que sea posible, al asiento, para posicionarlo apropiadamente.

4. El paciente es posicionado sobre el asiento con su espalda en el respaldo de la silla.
5. Presione el botón de flecha hacia ABAJO (▼) para comenzar a bajar al paciente.
6. Con un asistente atrás de la silla y el otro operando el levantador, el asistente atrás de la silla jalara el “agarrador” o los lados de la eslinga para sentar bien al paciente hasta que haga contacto con el respaldo de la silla. Esto mantendra un buen balance en el centro y prevendra que la silla se ladee hacia adelante.
7. Deje la eslinga donde quedo.  
    👉 Sólo quítelas si se ha utilizado una eslinga de piernas.
8. Para retornar al paciente, siga a la inversa el procedimiento concerniente a levantado, operación y conectar la eslinga



**ADVERTENCIA**

-Asegurese de inspeccionar las conexiones de la eslinga cada vez que la misma sea removida o reemplazada, para asegurarse de que esta conectada apropiadamente, antes de remover al paciente de la cama o silla.

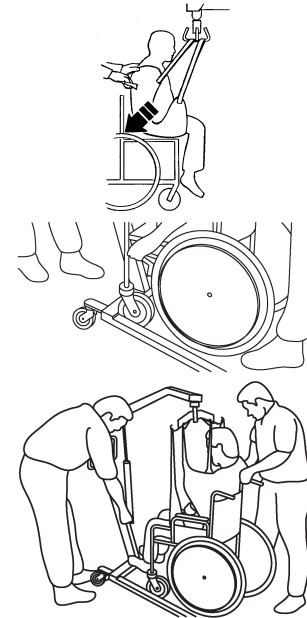


Fig. 8-2

## 9 Guía de Reparaciones

### 9.1 Guía de Reparaciones

SÍNTOMA	DEFECTO	SOLUCIÓN
El levantador de pacientes se siente flojo.	Mástil/base flojos. Tornillos que apretan estan flojos.	Consulte a 5 <i>Ensamblado</i> , page 158. Consulte a 10.7 <i>Mantenimiento del Montaje de la Base</i> , page 195.
Ruedas/Frenos ruidosos o Duros.	Pelusa o basura en los cojinetes/balineras.	Consulte a 10.8 <i>Reemplazando las Ruedas y/o las Horquillas</i> , page 196.
Ruido y un sonido seco que viene de los Pivotes.	Secesita lubricacion.	Consulte a 10.2 <i>Lubricación</i> , page 190.



SÍNTOMA	DEFECTO	SOLUCIÓN
El actuador no eleva cuando se presiona el botón.	El conector del control de mano esta flojo.	Inspeccione las conexiones.
	La batería esta debil.	Cargue la batería. Consulte a 6.2.1 <i>Cargando la Batería, page 167.</i>
	El botón ROJO de parar de emergencia esta presionado hacia ADENTRO.	Gire a la DERECHA el botón ROJO de emergencia hasta que salte hacia afuera.
	La conexion de la batería esta floja.	Conecte bien la batería a la Caja de control. Consulte a 6.2.1 <i>Cargando la Batería, page 167.</i>
	Las terminales de la batería están dañadas.	Reemplasca la batería. Consulte a 6.2.1 <i>Cargando la Batería, page 167.</i>
	El actuador necesita servicio o la carga es demasiado pesada.	Consulte a 10.5 <i>Reemplazo el Actuador Eléctrico, page 191.</i> Póngase en contacto con su proveedor.
Ruido raro del actuador.	El actuador está gastado o dañado o el eje está torcido.	Consultea 10.5 <i>Reemplazo el Actuador Eléctrico, page 191.</i> Póngase en contacto con su proveedor.

SÍNTOMA	DEFECTO	SOLUCIÓN
El brazo no baja cuando esta en su posición más alta.	El brazo requiere un mínimo de peso para bajar cuando está en su posición más alta.	Jalelo ligeramente.
El brazo del elevador no bajará al activar el soltador de emergencia, cuando éste esté siendo retractado usando energía eléctrica.	El tornillo en la unión del brazo y el mástil podría no estar instalado apropiadamente.	Consulte a <i>10.5.1 Cómo Verificar y Ajustar el Perno Pivote del Mástil</i> , page 192.



Si los problemas no pueden ser remediados usando las recomendaciones sugeridas, por favor pongase en contacto con su proveedor o Invacare.

## 10 Mantenimiento

### 10.1 Lista de Mantenimiento de Inspección de Seguridad

ARTÍCULO	TAREA	INICIALMENTE	EN UNA INSTITUCION INSPECCIONE MENSUALMENTE	EN UNA CASA INSPECCIONE CADA SEIS MESES
RUEDA DE LA BASE	Inspeccione por partes faltantes.	X	X	X
	La base abre/cierra facilmente.	X	X	X
	Inspeccione ruedas y ejes, que estén apretados.	X	X	X
	Inspeccione ruedas que rueden y giren bien.	X	X	X
	Inspeccione las ruedas y retire los desechos.	X	X	X
PALACA DE CAMBIOS	Que funciona bien.	X	X	X
	Traba y sostiene con firmeza la base cuando es operada.	X	X	X
EL MÁSTIL	El mástil DEBE de quedar bien asegurado al ensamblarlo al brazo.	X	X	X
	Inspeccione por dobladuras y torceduras.	X	X	X

ARTÍCULO	TAREA	INICIALMENTE	EN UNA INSTITUCION INSPECCIONE MENSUALMENTE	EN UNA CASA INSPECCIONE CADA SEIS MESES
EL BRAZO	Inspeccione todas las piezas y todos los soportes de la barra giratoria.	X	X	X
	Inspeccione todas las piezas y la barra giratoria.	X	X	X
	Inspeccione los tornillos por desgaste.	X	X	X
	Asegúrese de que el brazo esta centrado enmedio de las patas.	X	X	X
	Verifique el perno pivote del mástil, que se encuentra debajo de la cubierta de goma.	X	X	X
	Asegúrese de que el perno esté bien ajustado	X	X	X
LA BARRA GIRATORIA	Inspeccione el tornillo/ganchos por desgaste o daño.	X	X	X
	Inspeccione los ganchos de la eslinga por desgaste o torcedura.	X	X	X
LIMPIEZA	Cuando sea necesario.	X	X	X

ARTÍCULO	TAREA	INICIALMENTE	EN UNA INSTITUCION INSPECCIONE MENSUALMENTE	EN UNA CASA INSPECCIONE CADA SEIS MESES
ESLINGA Y PIEZAS	INSPECCIONE TODOS LOS ACCESORIOS DE LA ESLINGA cada vez que la use para asegurar las conexiones apropiadas y la seguridad del paciente.	X	X	X
	Inspeccione el material de la eslinga por desgaste.	X	X	X
	Inspeccione las correas por desgaste.	X	X	X



Para uso individual en el hogar, se requiere una inspección completa antes de cada usuario nuevo.

Una limpieza periódica mostrará las partes gastadas o sueltas, mejorará el funcionamiento y extenderá la vida útil del elevador.

Siga los procedimientos de mantenimiento descritos en este manual a fin de mantener su levantador en condiciones de proveerle servicio continuo.

El lavantador de pacientes Invacare ha sido diseñado para proveer el máximo de seguridad, eficiencia y servicio satisfactorio con el mínimo cuidado y mantenimiento.

Todas las piezas del levantador Invacare están hechas del mejor acero, pero el contacto de metal con metal causará desgaste, después de un considerable tiempo de uso.

No hay ajustes ni mantenimiento que darle a las ruedas o a los frenos, aparte de limpiar, lubricar e inspeccionar los ejes y que los tornillos estén bien apretados. Remueva basura, etc. de las ruedas y cojinetes. Si hay partes gastadas, reempláscalas inmediatamente.

Si tiene alguna duda en cuanto a seguridad debido a una pieza en el levantador, pongase en contacto con su proveedor inmediatamente e informe de su problema.

## 10.2 Lubricación

El levantador Invacare ha sido diseñado de tal modo que requiere mínimo mantenimiento. Sin embargo, una inspección y lubricación cada seis meses asegurará una seguridad confiable. Mantenga limpios y en buena condición de funcionamiento el levantador y la eslinga. Cualquier defecto debe de ser anotado y reportado a su proveedor tan pronto como sea posible.

Las ruedas DEBEN de girar y rodar sin problema. Grasa liviana (lubricante de automóvil a prueba de agua) puede ser aplicada a los cojinetes de las ruedas una vez al año. Aplíquela más frecuentemente si las ruedas son expuestas a condiciones de extrema humedad.

Refierase al diagrama que muestra los puntos que necesitan lubricación. Lubrique todos los puntos donde hay movimiento. Limpie el exceso de lubricante que quede sobre el levantador.

1. Barra giratoria
2. Soporte de la barra giratoria
3. Montura del brazo/mástil
4. Soporte de montar el mástil

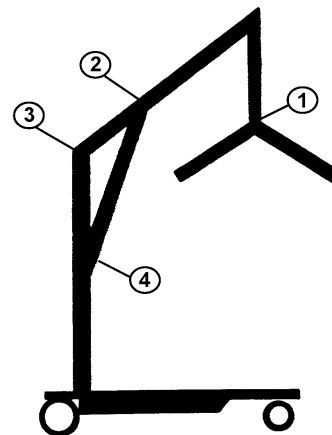


Fig. 10-1

## 10.3 Desgaste y Daño

Es importante inspeccionar todas las partes que están bajo tensión, tales como la eslinga, la barra espaciadora o un pivote para la eslinga, por señales de deterioro, deformación, grietas o desgaste. Reemplaza cualquier pieza defectuosa inmediatamente y asegúrese de que el levantador no sea usado hasta que las reparaciones sean hechas.

## 10.4 Limpieza de la Eslinga y la Grúa

El lavado siempre debe realizarse junto con colores oscuros. La eslinga se debe lavar con frecuencia, en agua con una temperatura que no supere los 180 °F (82 °C). Consulte el manual del usuario de la eslinga para ver las instrucciones completas para la limpieza.

Para la limpieza de la grúa solo necesita un paño suave, humedecido con agua y una pequeña cantidad de detergente suave. La grúa se puede limpiar con limpiadores no abrasivos.

## 10.5 Reemplazo el Actuador Eléctrico

1. Remueva la tuerca, arandela y el tornillo que asegura el actuador eléctrico y el soporte de montar el mástil.
2. Descanse el brazo sobre su hombro y remueva la tuerca, tornillo y el prensador, del soporte de la barra giratoria.
3. Remueva el actuador eléctrico.
4. Para instalación, siga los mismos pasos a la inversa.



### **PRECAUCIÓN**

NO ajuste la tuerca y el perno. Esto daña el soporte de montaje.

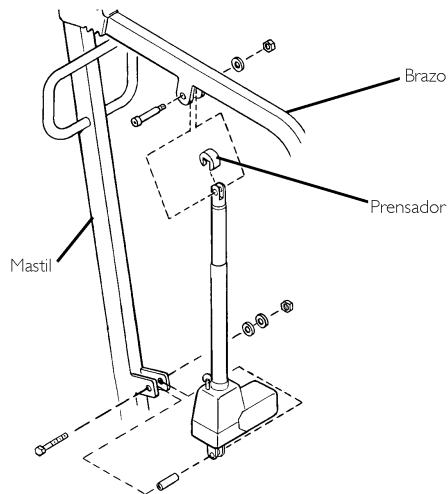


Fig. 10-2

### 10.5.1 Cómo Verificar y Ajustar el Perno Pivote del Mástil

1. Levante la parte trasera de la cubierta de goma y quítela del mástil deslizándola a lo largo del pescante.
2. Verifique que el perno esté bien encastrado en el soporte y que la tuerca de sujeción esté bien ajustada y segura.
3. De ser necesario, prosiga con uno o más de los siguientes pasos:
  - Ajuste la tuerca de sujeción y destorníllela 1/8 de vuelta.
  - Vuelva a poner la tuerca de sujeción.



4. Vuelva a colocar la cubierta de goma.

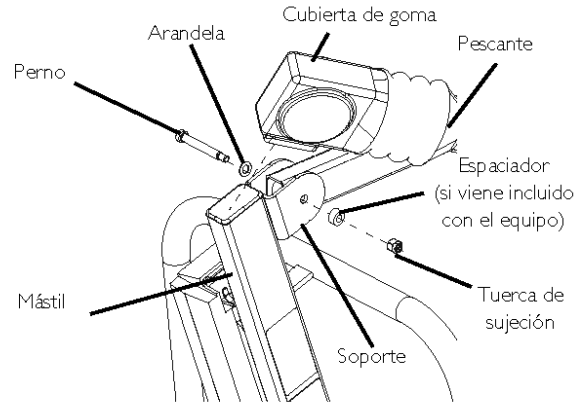


Fig. 10-3

## 10.6 Reemplazando la Barra Giratoria



### ADVERTENCIA

-Después del primer año de uso, los ganchos de la barra giratoria y los soportes del brazo deben de ser inspeccionados cada seis meses para determinar el grado del desgaste. Si dichas partes están deterioradas, DEBEN de ser reemplazadas.



Para este procedimiento, consulte la figura.

1. La barra giratoria viene conectada al brazo con un tornillo, tuerca, arandelas y un prensador.



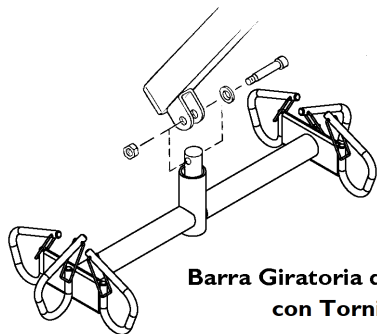
Consulte las imágenes más adelante para conocer la posición del perno y la arandela.

La barra giratoria tiene tres ganchos en cada lado para colocar la eslinga que soporta al paciente el ser levantado.

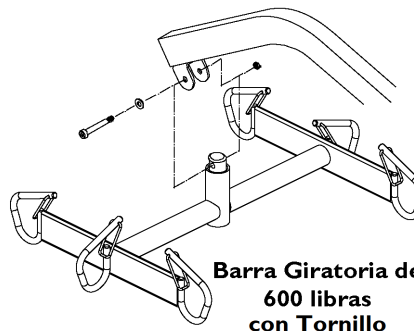
2. Remueva las piezas existentes y reemplasca la barra giratoria.
3. Apriete la contratuerca al perno hasta que asiente.

**PRECAUCIÓN**

-NO ajuste la tuerca y el perno. Esto daña el soporte de montaje.



**Barra Giratoria de 450 libras  
con Tornillo**



**Barra Giratoria de  
600 libras  
con Tornillo**

*Fig. 10-4*

## 10.7 Mantenimiento del Montaje de la Base

El ajuste de la base no requiere ninguna otra atención, más que la siguiente:

1. Que las patas, cuando están en su posición CERRADA, estén a escuadra.
2. Coloque una escuadra en el lado de adentro de las patas y la base, para determinar que están alineadas a 90°.
3. Ajuste el acoplamiento de las barillas hasta que un alineamiento de 90° sea logrado.

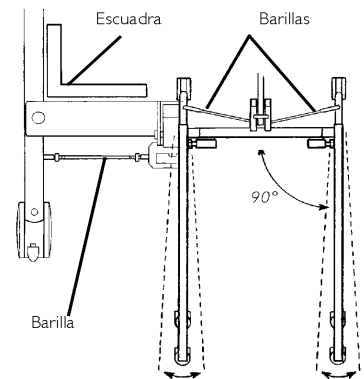


Fig. 10-5

## 10.8 Reemplazando las Ruedas y/o las Horquillas

### 10.8.1 Ruedas Traseras

1. Recueste el levantador sobre uno de sus lados.
2. Remueva la tuerca y el tornillo que aseguran la rueda de atras a la horquilla.



El casquillo se soltará y puede caer de la ruedecilla.

Se volverá a usar el casquillo ya existente. Examínelo y reemplácelo si está gastado.

3. Instale el casquillo nuevo o el existente en la rueda nueva.
4. Alinie los hoyos de la rueda nueva con los de la horquilla.
5. Instale el tornillo atraves de la horquilla y la rueda nueva y apretelo con la tuerca. Asegurelos bien.

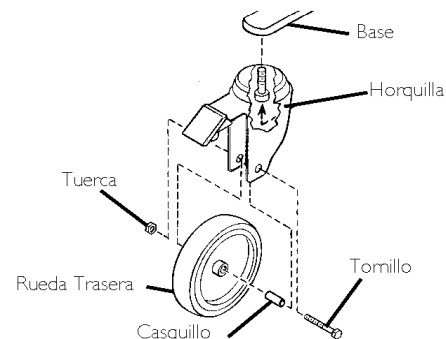


Fig. 10-6

## 10.8.2 Ruedas de Enfrente

1. Recueste el levantador sobre uno de sus lados.
2. Remueva la tuerca y el tornillo que aseguran la rueda del frente a la horquilla.



El ensamble de cada rueda del frente consiste de dos ruedas y una arandela en medio.

La arandela que se encuentra en medio de las dos ruedas también saldrá.

Se volverá a usar la arandela. Exáminelo y reemplácelo si está gastado.

3. Posicione la nueva arandela o la existente en medio de las dos ruedas nuevas.
4. Alinie los hoyos de la rueda nueva con los hoyos de la horquilla.
5. Instale el tornillos através de la horquilla y la rueda y apretelo con la tuerca. Asegurelo bien.

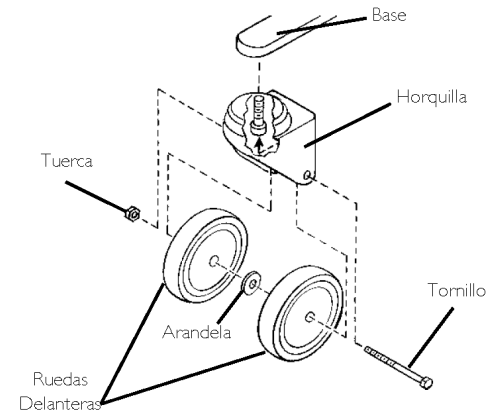


Fig. 10-7

### 10.8.3 Horquillas

1. Recueste el levantador sobre uno de sus lados.
2. Remueva la rueda de atras o enfrente (segun sea el caso), del levantador. Consulte *10.8 Reemplazando las Ruedas y/o las Horquillas, page 196*.
3. Desatornille de la base la horquilla existente.
4. Instale a la base la nueva horquilla.
5. Instale la rueda de atras o enfrente (segun sea el caso), al levantador. Consulte *10.8 Reemplazando las Ruedas y/o las Horquillas, page 196*.

## 11 Accesorios

### 11.1 Balanza Reliant RLS6

La balanza Reliant es un sistema de balanza de precisión compacta específicamente diseñado para el Sistema de Elevador de Pacientes Invacare.



#### PELIGRO

Riesgo de muerte, lesiones o daños

- El uso incorrecto de este producto puede provocar la muerte, lesiones o daños.
- Si no puede comprender las advertencias, precauciones o instrucciones, póngase en contacto con un profesional de la salud, un proveedor o personal técnico antes de intentar usar este equipo.
- NO utilice este producto ni ningún equipo opcional disponible sin antes leer y entender completamente estas instrucciones y cualquier material instructivo adicional, como manuales del usuario, manuales de servicio o instructivos suministrados con este producto o equipo opcional.

#### 11.1.1 Cómo Quitar la Barra Giratoria

Para este procedimiento, ver *Fig. 11-1*, *page 201*.

1. Retire el perno, la tuerca de sujeción, la guarda de compresión y la arandela que aseguran la barra giratoria al soporte de la barra giratoria.



Observe la barra giratoria hardware varía. Consulte *10.6 Reemplazando la Barra Giratoria, page 193*



Guarde el perno y las arandelas de acerco pequeño para asegurar la balanza Reliant al pescante. La guarda de compresión no se utilizará cuando la balanza esté instalada. Guarde la guarda de compresión para usos futuros de la barra giratoria sin la balanza.

Al quitar el material duro de la barra giratoria, ésta se soltará junto con dos arandelas de nylon y la clavija de la barra giratoria. Guarde la clavija de la barra giratoria y las dos arandelas de nylon para futuros usos de la barra giratoria sin la balanza.



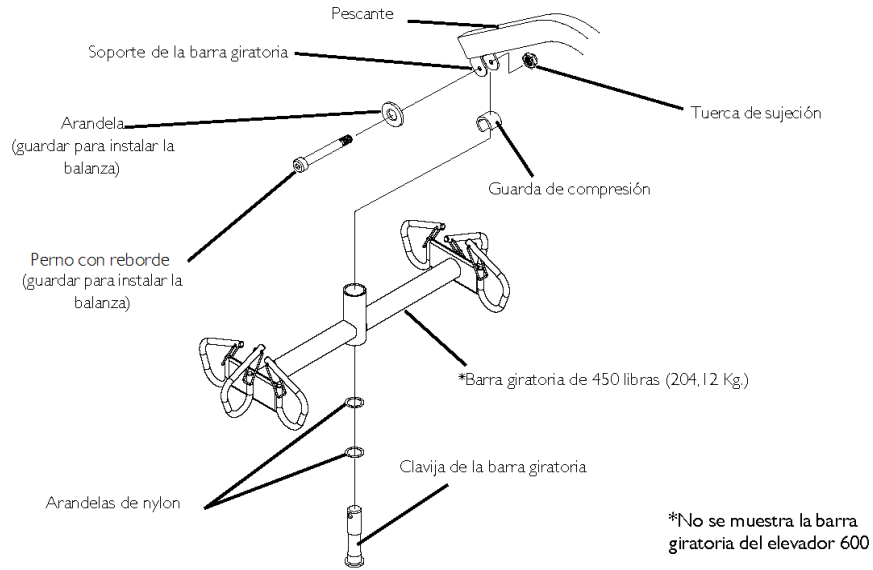




Fig. 11-1

### 11.1.2 Instalación de la Balanza Reliant



#### ADVERTENCIA

-Se DEBE quitar al paciente y la eslinga del elevador durante TODOS los procedimientos de instalación.

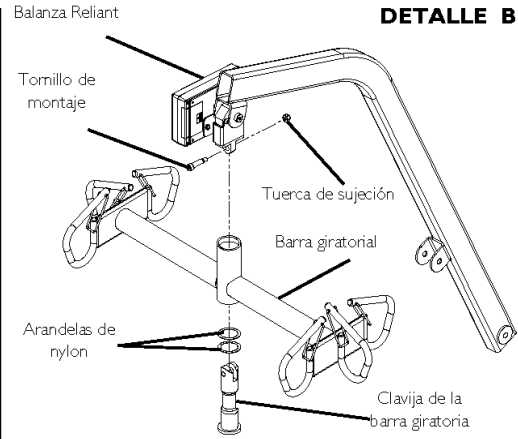
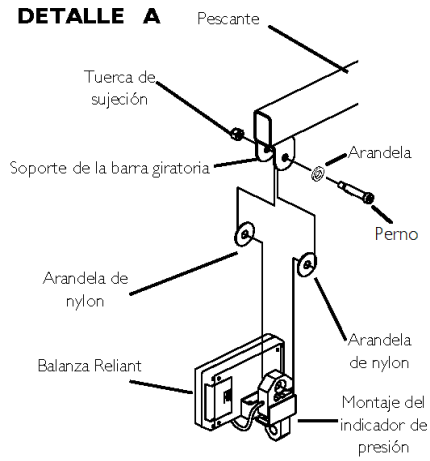
1. Coloque el montaje de indicador de presión de la Balanza Reliant en el soporte de la barra giratoria. Consulte el Detalle A.  
 Use una arandela de nylon de 1/4 de pulgada.
2. Asegure la Balanza Reliant al soporte de la barra giratoria con una tuerca de sujeción nueva y el hardware remoto de 11.1.1 *Cómo Quitar la Barra Giratoria, page 199*. Ajuste bien. Consulte el Detalle A para más información sobre la arandela..  
 Asegúrese de que el eje del pernopase a ambos lados del soporte de la barra giratoria.
3. Apriete la contratuerca al perno hasta que asiente.
4. Inserte la clavija de la barra giratoria con dos arandelas de nylon a través de la barra giratoria. Consulte el Detalle B.
5. Alinee los orificios de montaje en la clavija de la barra giratoria con los orificios de montaje en el montaje de indicador de presión. Consulte el Detalle B.
6. Asegure la clavija de la barra giratoria al montaje de indicador de presión con el tornillo y la tuerca de sujeción provistos. Ajuste bien. Consulte el Detalle B.



**ADVERTENCIA**

-Luego de CUALQUIER ajuste, reparación o servicio y ANTES de utilizarlo, asegúrese de que todo el material duro accesorio esté bien ajustado; de otro modo, pueden ocurrir daños.

7. Pese al paciente. Consulte *11.2 Operación de la Balanza*, page 204 y *11.3 Cómo Pesar al Paciente*, page 205.




*Fig. 11-2*

*Fig. 11-3*

## 11.2 Operación de la Balanza

### 11.2.1 Funciones del Teclado

Touches	Indicador Visualizado	Ubicación del Indicador	Definición
ON OFF	OFF	Centro del visor	Al presionar esta tecla se suministrará electricidad a la balanza y la unidad se encenderá. Cuando la balanza ya está encendida, ésta se apagará al presionar este botón.
ZERO	ZERO	Esquina inferior izquierda del visor	Al presionar este botón mientras la balanza está encendida, el peso que se muestra en el visor volverá a cero.
UNITS	lb or kg	Esquina superior derecha del visor	La función de esta tecla es cambiar la unidad de medición de libras (lb) a kilogramos (kg.).
LOCK UNLOCK	LOCK	Esquina inferior derecha del visor	Esta tecla se utiliza para TRABAR y DESTABAR un valor de peso en el visor.  El peso que se visualiza es un peso ALMACENADO y no el peso de cuando la tecla se usa en la posición de traba (lock).
N/A	LO BAT	Centro del visor	Note el indicador aparece en el visor para notificar que la batería está baja.

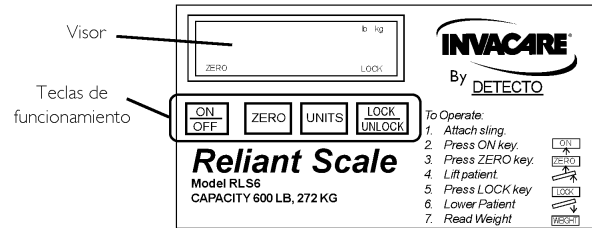


Fig. 11-4

### 11.3 Cómo Pesar al Paciente



#### ADVERTENCIA

- La capacidad de peso está limitada a la capacidad mínima de cualquiera de los componentes en uso (por ej.: elevador de pacientes, eslinga o balanza). El peso del paciente NO DEBE exceder la capacidad mínima de cualquiera de los componentes.
- NO presione las teclas con objetos puntiagudos (por ej.: lápices, lapiceras, uñas, etc.). De otro modo, se podrían dañar las teclas.

1. Ajuste las correas de la eslinga a la barra giratoria. Para un ajuste correcto, consulte las instrucciones en 7.1.2 *Cómo Ajustar las Eslingas al Elevador, page 171.*



Para una mejor exactitud en los elevadores Reliant 450 y 600, ajuste las correas de la eslinga a los ganchos centrales que se encuentran a ambos lados de la barra giratoria. Sin embargo, la comodidad del paciente puede requerir una configuración diferente de las correas de la eslinga.

2. Presione la techa ON/OFF.



El visor indicará el último peso medido. Se visualizará la palabra “LOCK” en el visor.

La tecla “ZERO” se presiona con el fin de evitar captar el peso de la eslinga y el material duro. Si no se presiona la tecla ZERO, el peso de la eslinga y del material duro serán incluidos en el peso visualizado. EL NO PRESIONAR LA TECLA “ZERO” DARÁ COMO RESULTADO UNA LECTURA FALSA DEL VERDADERO PESO DEL PACIENTE.

3. Presione la tecla ZERO. Al presionar la tecla ZERO, ocurrirá lo siguiente:

- La balanza volverá a cero y la palabra “ZERO” aparecerá en el visor.
- Luego se apagará la función de traba y la palabra “LOCK” desaparecerá del visor.



Ahora la balanza está activada y continuamente actualizando el visor de peso.

4. Coloque al paciente en la eslinga. Para ubicar al paciente, consulte las instrucciones en *6 Operación, page 162*.

5. Active el mecanismo del elevador para levantar al paciente hasta que el mismo esté sostenido por el elevador por completo. Para elevar al paciente, consulte las instrucciones en *7.2 Levantando/Moviendo al Paciente, page 172*.

6. Observe el visor de peso.

7. Cuando el visor de peso queda estable, presione el botón LOCK para trabar el visor de peso. Esto estará indicado por la palabra “LOCK” que aparecerá en el visor.



Si es necesario destrabar el peso mientras que el paciente aún se encuentra en el elevador, se puede presionar el botón UNLOCK. El peso se destrabará y la palabra “LOCK” desaparecerá del visor. Luego se actualizará el valor del peso. Una vez que el peso está estable, éste puede ser trabado nuevamente con sólo presionar el botón LOCK.

La palabra “Estable” se define como el peso fluctuante entre dos décimos (0,02 kg) de una libra. Por ejemplo, para un paciente que pesa cien libras (45,4 kg), la balanza fluctuará entre 99,8 y 100 (45,3 y 45,5 kg),<sup>2</sup> hasta que se presione la tecla LOCK. La fluctuación de peso normal visualizada es aquélla arriba descrita. Presione el botón LOCK para trabar el peso.


Se puede presionar el botón UNITS para alternar entre unidades de libras y kilogramos. El tipo de unidad se indica por medio de la palabra “lb” (libras) o “kg” (kilogramos) en el visor.

#### 8. Ahora se puede bajar el elevador y quitar la eslinga del paciente.



Aún se podrá ver el peso del paciente en el visor. El visor se apagará automáticamente luego de un período de dos minutos de no usar la balanza [no habrá cambios en pesos que excedan las cinco libras (2 kilogramos)]. Usted NO podrá ajustar el tiempo de demora para el apagado automático. Luego de que el visor se apaga, se puede recuperar el valor del peso presionando el botón ON/OFF. La unidad se puede apagar al presionar el botón ON/OFF una segunda vez.

## 11.4 Cambio de la Batería

 La balanza funciona con una pila alcalina de nueve voltios, la cual debería proporcionar aproximadamente 1500 lecturas antes de ser necesario su reemplazo.

Cuando se necesita cambiar la batería, el visor mostrará la leyenda “LO BAT” (BATERÍA BAJA). Haga lo siguiente:

1. Deslice la tapa de la batería para abrirla en la dirección que muestra la flecha.
2. Retire la batería existente.
3. Instale la batería nueva.
4. Vuelva a colocar la tapa de la batería.

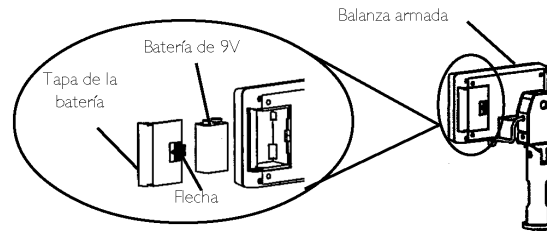



Fig. 11-5

## 11.5 Calibración de la Balanza Reliant

 La Balanza Reliant viene precalibrada de fábrica con el indicador de presión. Si necesita volver a calibrar la balanza, siga las instrucciones que aparecen abajo.



1. El paciente y la eslinga deben ser retirados de la balanza para calibrar la Balanza Reliant correctamente. Para quitar al paciente, consulte las instrucciones en 6 *Operación, page 162*. Para quitar la eslinga, consulte las instrucciones en 7.2 *Levantando/Moviendo al Paciente, page 172*.
2. Con la Balanza Reliant encendida, quite los cuatro tornillos que se encuentran en el lado posterior de la cavidad y retire la cubierta frontal a fin de exponer el teclado de la PC.
3. Presione el botón CAL situado en el teclado de la PC. El interruptor CAL no tiene etiqueta pero es el único botón en el teclado de la PC situado en la esquina inferior derecha. Una vez que se haya presionado el botón CAL, la leyenda “CAL1” podrá verse en el visor.



CAL1 selecciona el modo de calibración utilizando 50 libras (22,7 kg) de peso calibrado.

CAL2 selecciona el modo de calibración utilizando 200 libras (90,8 kg) de peso calibrado.

Al presionar la tecla UNITS se puede alternar entre CAL1 y CAL2.

4. Al ver el modo de calibración deseado, presione la tecla LOCK/UNLOCK.



Ahora usted podrá leer “Unld.” en el visor.

5. Asegúrese de que no haya ninguna carga sobre la balanza y presione la tecla ZERO.
6. El visor mostrará una línea punteada (-----) y luego la palabra “LOAD” aparecerá en el visor.
7. Siga uno de los siguientes pasos:
  - PARA LA OPCIÓN CAL1—soporte 50 libras (22,7 kg) de peso calibrado de la balanza y presione la tecla ZERO.
  - PARA LA OPCIÓN CAL2—soporte 200 libras 90,8 kg) de peso calibrado de la balanza y presione la tecla ZERO.
8. El visor mostrará una línea punteada (-----) y luego la palabra “DONE” aparecerá en el visor.

9. Quite el peso de la balanza y presione la tecla LOCK/UNLOCK.



Ahora la unidad se encontrará en modo de prueba temporario y no trará el visor de peso. Esto permitirá que se cargue y descargue peso para verificar la calibración.

10. Apague la unidad presionando la tecla ON/OFF.

11. Encienda la unidad presionando la tecla ON/OFF.





Ahora la balanza se encontrará en funcionamiento normal.

## 11.6 Solución de Problemas

SÍNTOMA	CAUSA PROBABLE	SOLUCIONES
La unidad NO funciona correctamente.	Falla en la batería	Revise la batería. Reemplácela si es necesario.
La batería ha sido reemplazada y la unidad aún NO funciona correctamente.		Póngase en contacto con Invacare para reparaciones al 1-800-333-6900.

### 11.6.1 Códigos del Visor

CODE	DESCRIPTION
	Calibration Required (Necesidad de Calibración)—indica que existen datos de calibración almacenados incorrectos; se necesita calibrar.
	Over Capacity (Capacidad Superada)—indica que se ha cargado en la balanza un peso que excede la capacidad.

---

## Notas

---

**Canada**

Invacare Canada L. P. • 570 Matheson Blvd E Unit 8, CDN Mississauga, Ontario, L4Z 4G4 Canada  
• 800-668-5324 • [www.invacare.ca](http://www.invacare.ca)

**United States:**

Invacare Corporation • One Invacare Way, Elyria, Ohio, 44035 • Tel: 800 333 6900 •  
[www.invacare.com](http://www.invacare.com)



Invacare Corporation • One Invacare Way • Elyria, OH 44035, USA

1078987-O 2022-07-12



**Making  
Life's  
Experiences  
Possible®**



*Yes, you can.®*